



DOOR HARDWARE

rob

OPENING DOORS





ALL TECHNICAL DRAWINGS ARE SHOWN IN MILLIMETRES AND ARE SUBJECT TO CHANGE BY ARLU.

ARLU, THE REFERENCE FOR OPENING DOORS

ARLU® is the manufacturer behind the argenta® and rob® brand names. Rob has been a pioneering brand in outdoor hardware for more than 80 years.

The focus remains on a complete range of techniques ensuring effortless and permanent functioning of shutters, gates and doors of any size. Whether they slide, fold or tilt...a flawless movement starts with the application of reliable fittings. The unobtrusive and integrated design contributes to an unparalleled experience that perfectly combines the looks and the ease of use.

Rob stands for a complete range of durable outdoor hardware.

01

STRAIGHT-SLIDING

4	110.000
12	120.000
22	170.000
32	130.000
42	140.000
50	250.000
57	special guiding channels
58	configurator

02

ROUND THE CORNER SLIDING

64	120.000
74	130.000
84	140.000

03

CENTRE FOLDING DOORS

96	120.000
104	130.000
112	140.000

04

CONCERTINA DOORS

122	120.000
130	130.000
138	140.000

05

PULLEYS

06

AXLE PULLEYS

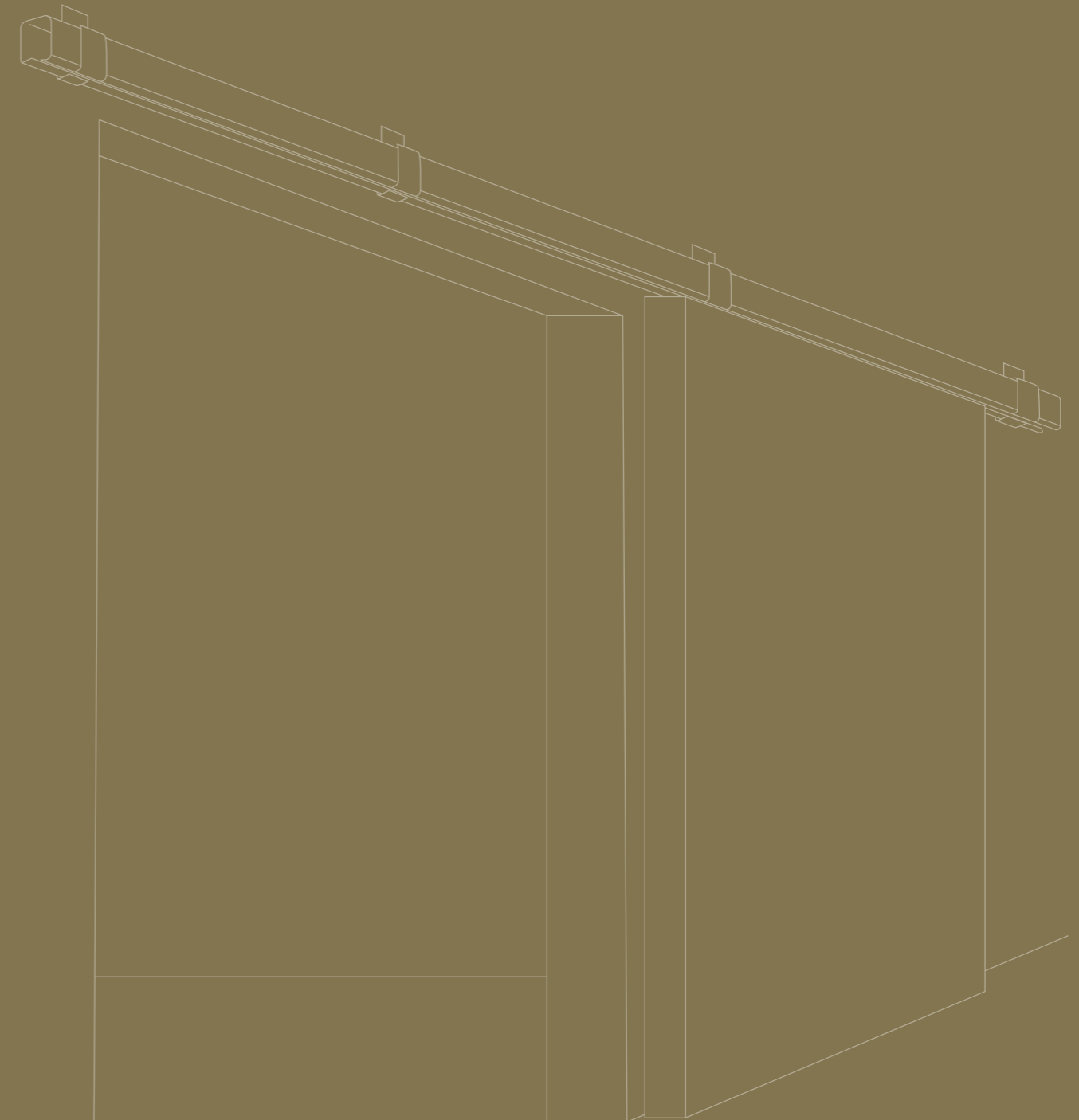
07

TARP ROLLERS

01

STRAIGHT-SLIDING

Our top hung sliding door hardware is suitable to operate doors or gates up to 1800 kg. As this hardware is available in different weight classes and with a wide range of hanging solutions it can be used in any situation.



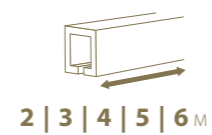
STRAIGHT-SLIDING



rob
110.000

This steel fitting is suitable for light-weight gates up to 60kg. Its steel track is to be fit to the wall, ceiling or lintel by using brackets. The gate is always suspended by 2 rollers that are adjustable in height. The rollers have plastic wheels assuring a soft operation and are suitable to absorb slight inclinations of the track. A variety of bottom guides completes the system appropriate for any application.

TRACK LENGTH



MOUNTING



DOOR WEIGHT

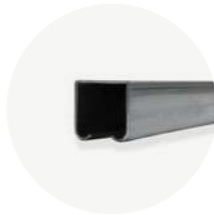


110.000

assemble your set 

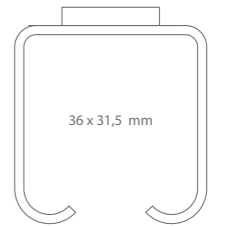
Running tracks - Option A

	Max. door weight	Length	Reference
Galvanised running track	60 kg	2000 mm	110.000.200
		3000 mm	110.000.300
		4000 mm	110.000.400
		5000 mm	110.000.500
		6000 mm	110.000.600



Running tracks - Option B

	Max. door weight	Length	Number of wall brackets	Reference
Galvanised running track with dished ceiling plates	60 kg	2000 mm	7	110.200.200
		3000 mm	10	110.200.300
		4000 mm	13	110.200.400
		5000 mm	17	110.200.500
		6000 mm	20	110.200.600



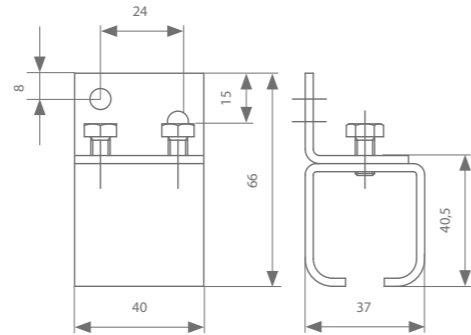
Suspension brackets (required every 500-600 mm) - Option A



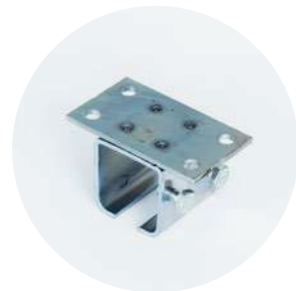
Wall bracket
111.130



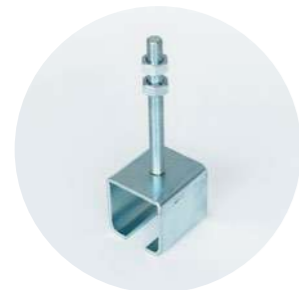
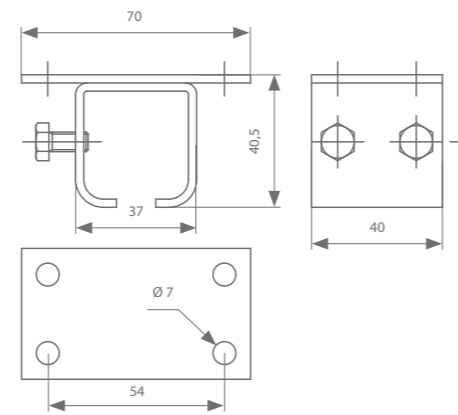
Wall joint bracket
111.140



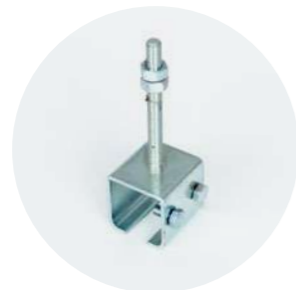
Ceiling bracket
111.230



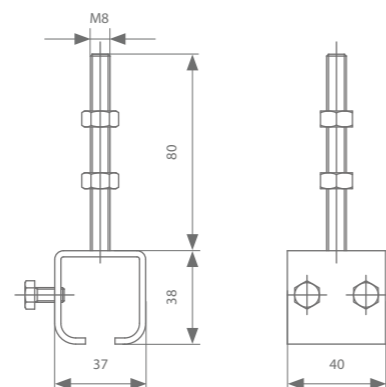
Ceiling joint bracket
111.240



Bracket on threaded rod
111.310



Connector bracket on threaded rod
111.320



Suspension brackets (required every 500-600 mm) - Option B

When using the profile with dished ceiling plates 110.200.xxx, the profile can be mounted to the wall with wall bracket 111.170



Wall bracket
111.170

Rollers with suspension plates - Option 1

Roller with fixed bolt



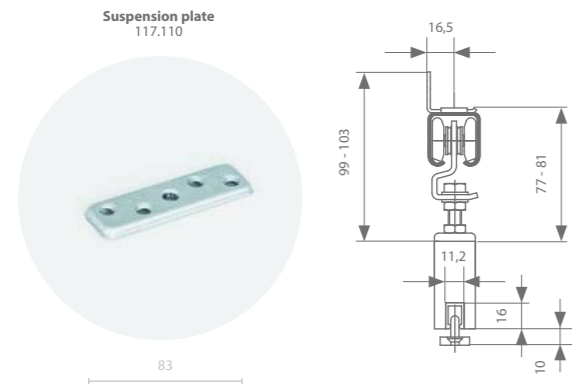
35



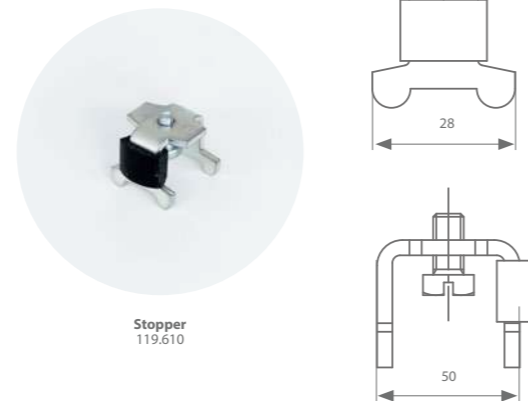
60

Single roller with fixed bolt	Max. door weight	Reference
Galvanised with plastic wheels	40 kg	114.110
Double roller with fixed bolt		
Galvanised with plastic wheels	60 kg	114.120

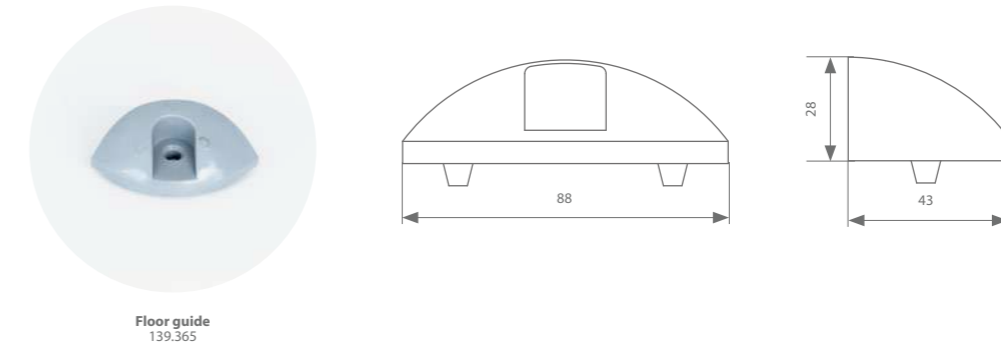
Suspension plate



Stopper

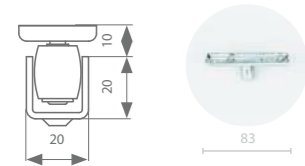


Bottom guide - option 3



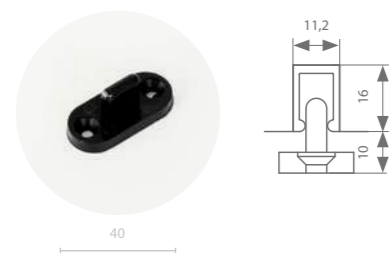
Bottom guide - option 1

	Length	Reference
Bottom guide track for the door (galvanised)	6000 mm	110.600.600
Material	Reference	
Guiding channel	galvanised	118.110



Bottom guide - option 2

	Length	Reference
Bottom guide track for the door (aluminium)	1000 mm	510.608.100
	1250 mm	510.608.125
	1500 mm	510.608.150
	2000 mm	510.608.200
	3000 mm	510.608.300
	4000 mm	510.608.400
6000 mm	510.608.600	
Bottom guide conductor block (plastic)	Reference	
	119.315	

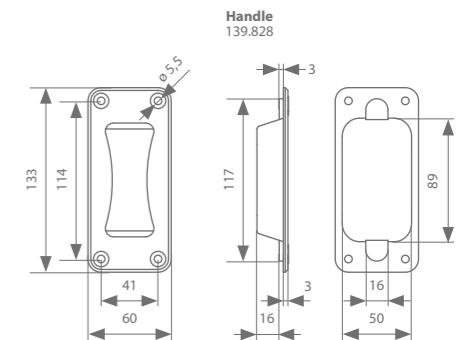


Brush strip



Length	Sweep	Reference
2000 mm	20 mm	139.830.200
3000 mm		139.830.300
3000 mm	20 mm	139.850.300

Handle



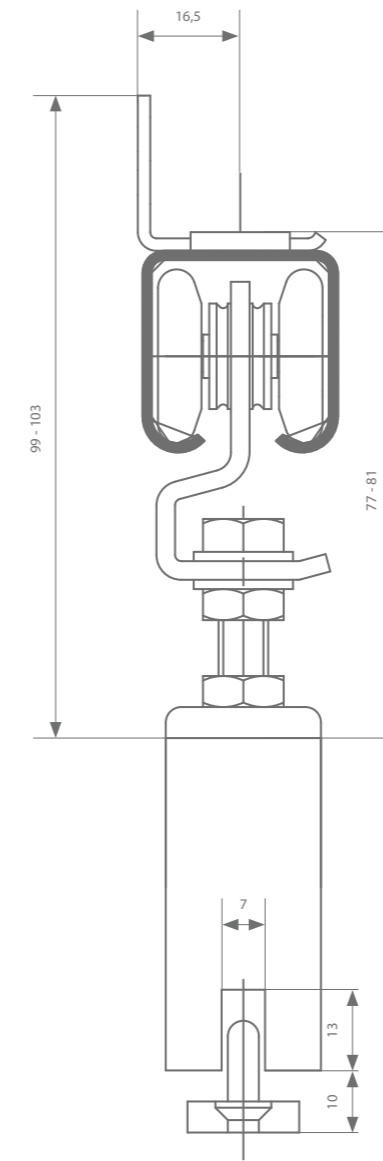
Fittings

Max. door weight	Description	Contents	Reference
40 kg	Fittings with single rollers	8 wall brackets 111.170 2 single rollers 114.110 2 supporting plates 117.110 2 stoppers 119.610 1 guiding channel 119.315 associated screws	100.100
60 kg	Fittings with double rollers	8 wall brackets 111.170 2 double rollers 114.120 2 supporting plates 117.110 2 stoppers 119.610 1 guiding channel 119.315 associated screws	100.600



rob
110.000 TOTAL SETS

Technical drawing



A complete set contains the following parts:

- Running track 2000 or 3000 mm
- Corresponding number of wall brackets
- Fittings come with
 - 2 suspension plates
 - 2 rollers & 2 stoppers
 - Bottom guide track
 - The appropriate screws

Max. 40 kg	Max. door width	Track length	Reference
110.000 Total set 2 m - single rollers	1000 mm	2000 mm	100.180
110.000 Total set 3 m - single rollers	1500 mm	3000 mm	100.170

Max. 60 kg	Max. door width	Track length	Reference
110.000 Total set 2 m - double rollers	1000 mm	2000 mm	100.680
110.000 Total set 3 m - double rollers	1500 mm	3000 mm	100.670



rob
120.000

These fittings are suitable for gates up to 80 kg when using the steel version and up to 180 kg when using the stainless steel version. The tracks are to be suspended to the wall, ceiling or lintel by using brackets out of our range. Brackets are conceived to suspend the tracks in an encompassing way and some models serve as connecting bracket to connect two tracks in line, or as end bracket to prevent the track from sliding and to serve as additional safety if the stopper is not correctly tightened. The gate is always suspended by 2 rollers that are easily adjustable in height. They are equipped with sealed bearing wheels so that re-lubrication is practically unnecessary. All wheels are suitable to absorb slight tilting of the track. The bottom guide rollers are always made out of hardened steel.

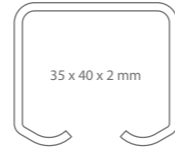


120.000

assemble your set 

Running tracks

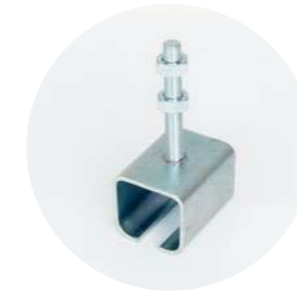
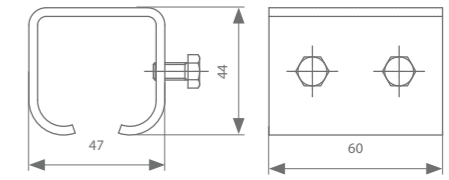
	Max. door weight	Length	Reference
Galvanised running track	80 kg	2000 mm	120.000.200
		3000 mm	120.000.300
		4000 mm	120.000.400
		5000 mm	120.000.500
		6000 mm	120.000.600
Stainless steel running track	180 kg	7000 mm	120.000.700
		2000 mm	120.007.200
		3000 mm	120.007.300
		4000 mm	120.007.400
		5000 mm	120.007.500
		6000 mm	120.007.600
		7000 mm	120.007.700



Weld bracket
121.130.1
121.137.1 (stainless steel)



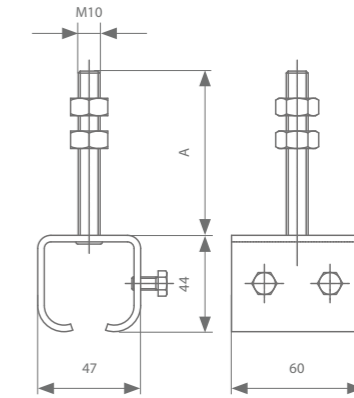
Weld joint bracket
121.290
121.297 (stainless steel)



Bracket on threaded rod
121.310
121.317 (stainless steel)



Connector bracket on threaded rod
121.320
121.327 (stainless steel)



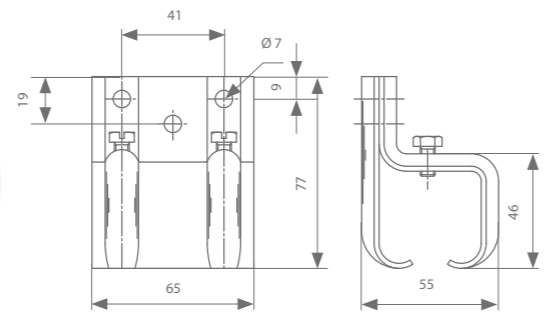
Suspension brackets (required every 500-600 mm)



Wall bracket
121.110
121.117 (stainless steel)



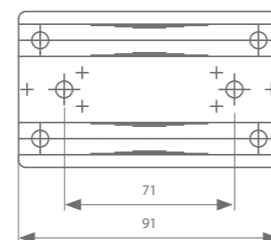
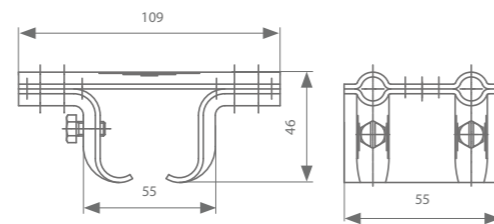
Wall joint bracket
121.120
121.127 (stainless steel)



Ceiling bracket
121.210
121.217 (stainless steel)



Ceiling joint bracket
121.220
121.227 (stainless steel)



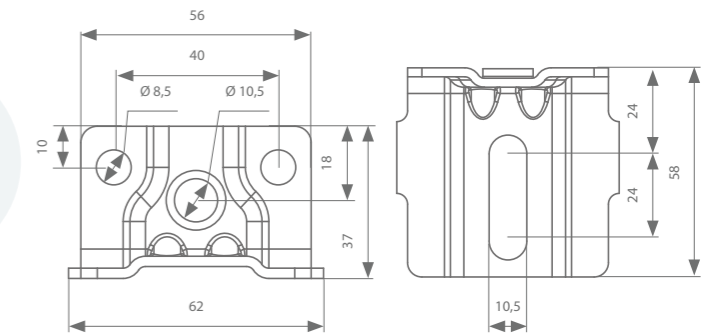
	Reference
Bracket on threaded rod A: 75 mm	121.310
Bracket on threaded rod A: 120 mm	121.310.012
Bracket on threaded rod A: 150 mm	121.310.015
Bracket on threaded rod A: 200 mm	121.310.020

	Reference
Threaded joint bracket A: 75 mm	121.320
Threaded joint bracket A: 120 mm	121.320.012
Threaded joint bracket A: 150 mm	121.320.015
Threaded joint bracket A: 200 mm	121.320.020

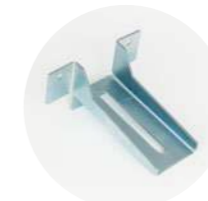
The use of Bracket on threaded rods and carrying consoles allows for an adjustable wall mount single track



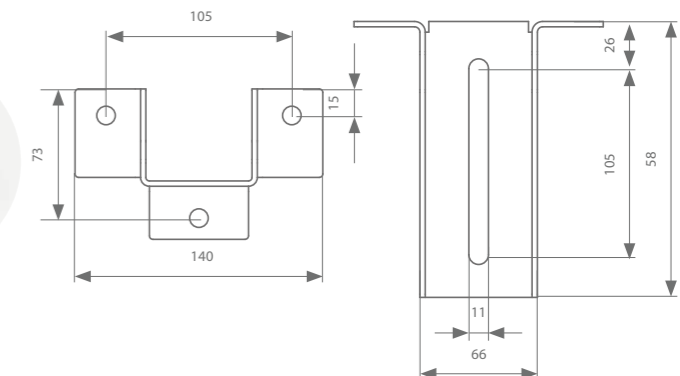
Carrying console
121.910
121.917 (stainless steel)



The use of 2 Bracket on threaded rods on a double carrying console allows for an adjustable wall mount double track



Double carrying console
121.930



Rollers with suspension plates - Option 1

Roller with fixed bolt



Single roller with fixed bolt	Max. door weight	Reference
Galvanised with steel wheels	60 kg	124.110
Galvanised with plastic wheels	60 kg	124.115
Stainless steel with stainless steel wheels, steel bearings	100 kg	124.117
Stainless steel with stainless steel wheels, stainless steel bearings	100 kg	124.117.02
Stainless steel with plastic wheels, steel bearings	60 kg	124.115.07



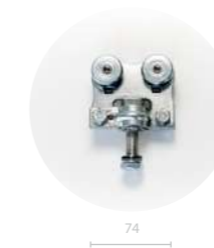
Double roller with fixed bolt	Max. door weight	Reference
Galvanised with steel wheels	80 kg	124.160
Galvanised with plastic wheels	80 kg	124.165
Stainless steel with stainless steel wheels, steel bearings	180 kg	124.167
Stainless steel with stainless steel wheels, stainless steel bearings	180 kg	124.167.02
Stainless steel with plastic wheels, steel bearings	80 kg	124.165.07

Rollers with suspension plates - Option 2

Roller with pivot bolt

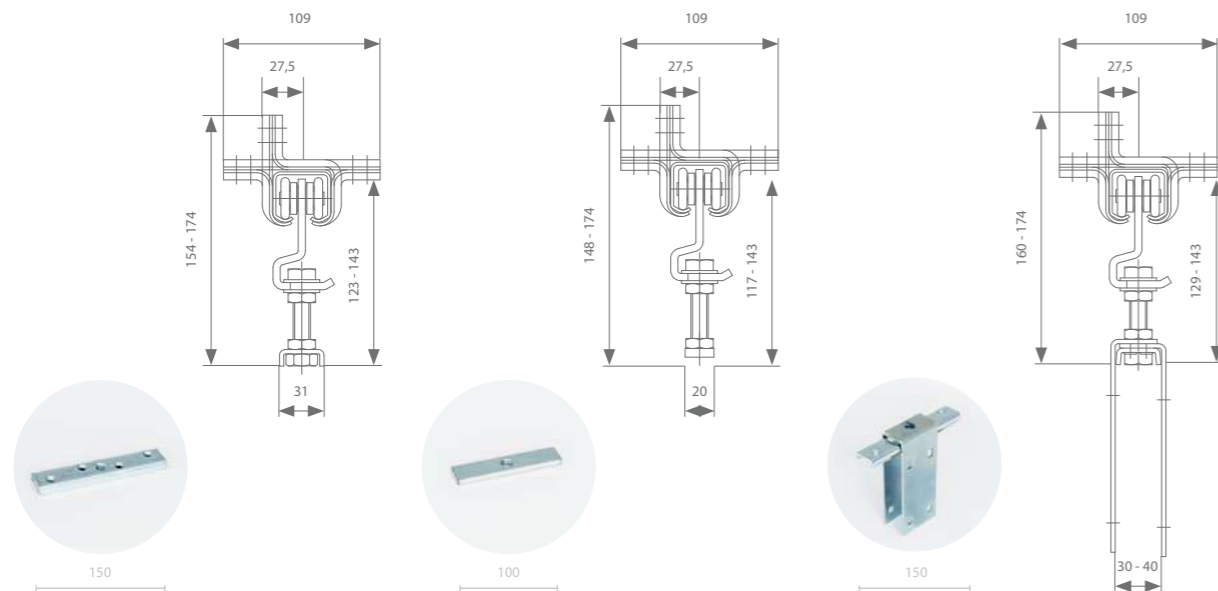


Roller with pivot bolt	Max. door weight	Reference
Galvanised with steel wheels	60 kg	124.210
Galvanised with plastic wheels	60 kg	124.215
Stainless steel with stainless steel wheels, steel bearings	100 kg	124.217
Stainless steel with stainless steel wheels, stainless steel bearings	100 kg	124.217.02
Stainless steel with plastic wheels, steel bearings	60 kg	124.215.07



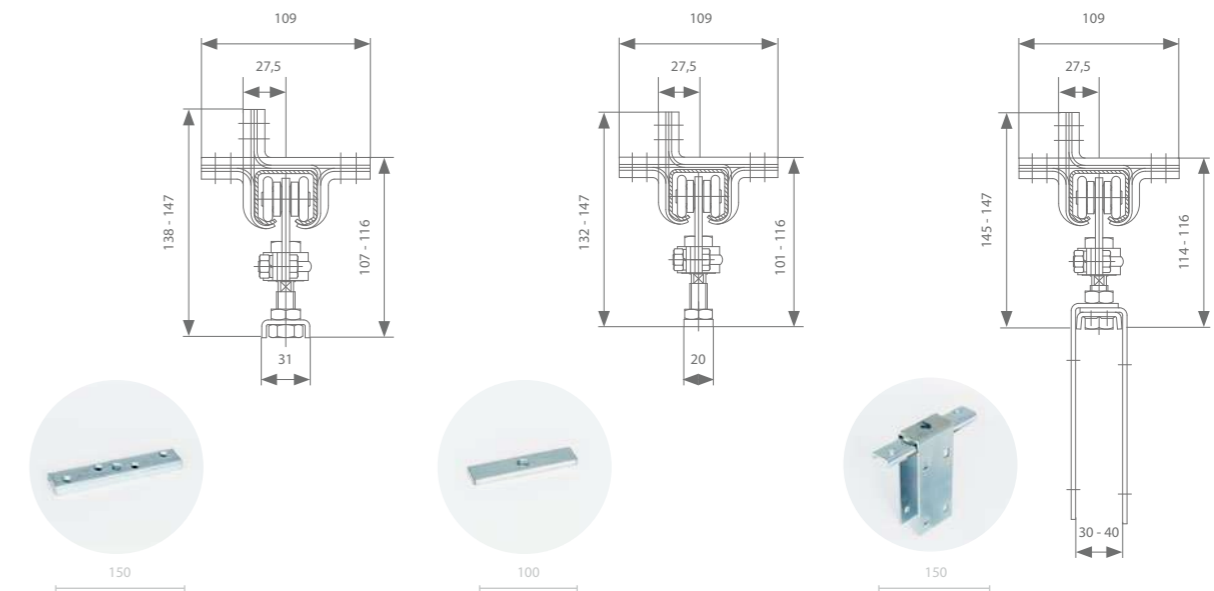
Double roller with fulcrum pin	Max. door weight	Reference
Galvanised with steel wheels	80 kg	124.260
Galvanised with plastic wheels	80 kg	124.265
Stainless steel with stainless steel wheels, steel bearings	180 kg	124.267
Stainless steel with stainless steel wheels, stainless steel bearings	180 kg	124.267.02
Stainless steel with plastic wheels, steel bearings	80 kg	124.265.07

Suspension plate



Suspension plate	Reference	Suspension plate	Reference	Encompassing suspension plate	Reference
Galvanised	127.110	Galvanised	127.610	Galvanised	127.320
		Stainless steel	127.617		

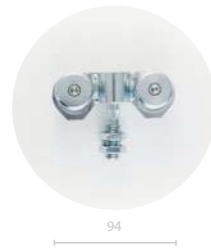
Suspension plate



Suspension plate	Reference	Suspension plate	Reference	Encompassing suspension plate	Reference
Galvanised	127.110	Galvanised	127.610	Galvanised	127.320
		Stainless steel	127.617		

Rollers with suspension plates - Option 3

Space-saving roller

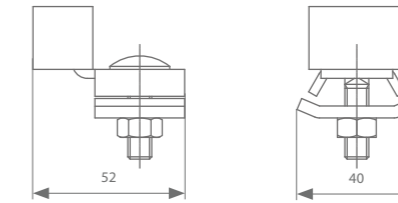


	Max. door weight	Reference
Galvanised with steel wheels	80 kg	124.250
Galvanised with plastic wheels	80 kg	124.255
Stainless steel with stainless steel wheels, steel bearings	180 kg	124.257
Stainless steel with stainless steel wheels, stainless steel bearings	180 kg	124.257.02
Stainless steel with plastic wheels, steel bearings	80 kg	124.255.07

Suspension plate

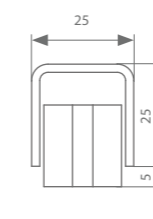
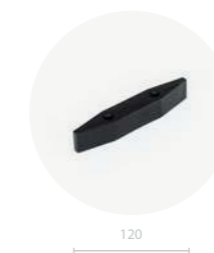
Suspension plate	Reference	Suspension plate	Reference	Encompassing suspension plate	Reference
Galvanised	127.110	Galvanised	127.610	Galvanised	127.320
		Stainless steel	127.617		

Stopper



Bottom guide - option 1

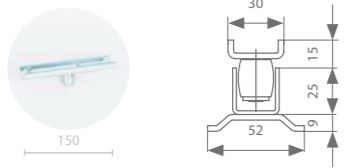
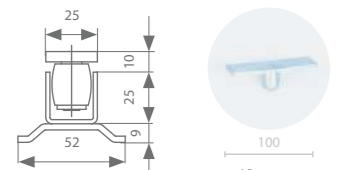
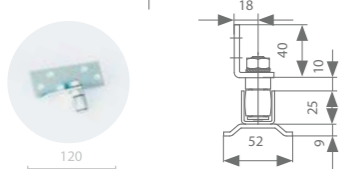
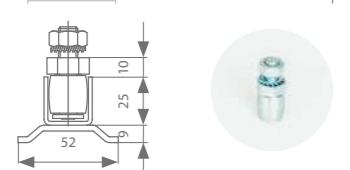
	Length	Reference
Bottom guide track for the door (galvanised)	2000 mm	120.600.200
	3000 mm	120.600.300
	4000 mm	120.600.400
	5000 mm	120.600.500
	6000 mm	120.600.600
Bottom guide track for the door (stainless steel)	7000 mm	120.600.700
	2000 mm	120.607.200
	3000 mm	120.607.300
	4000 mm	120.607.400
	5000 mm	120.607.500
	6000 mm	120.607.600
	7000 mm	120.607.700



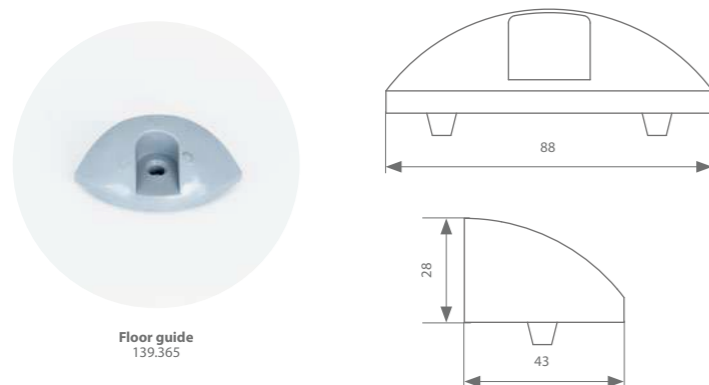
	Reference
Bottom guide conductor block (plastic)	129.315

Bottom guide - option 2

	Length	Reference
Bottom guide track (25 x 25 mm) with stone claws (galvanised)	2000 mm	120.400.200
	3000 mm	120.400.300
	4000 mm	120.400.400
	5000 mm	120.400.500
	6000 mm	120.400.600
Bottom guide track (25 x 25 mm) with stone claws (stainless steel)	7000 mm	120.400.700
	2000 mm	120.407.200
	3000 mm	120.407.300
	4000 mm	120.407.400
	5000 mm	120.407.500
	6000 mm	120.407.600
	7000 mm	120.407.700

	Material	Reference
 Guide on screw plate	galvanised	128.110
 Guide on weld plate	galvanised	128.610
	Stainless steel	128.617
 Guide on angle plate	galvanised	128.410
	Stainless steel	128.417
 Guide wheel on bolt	galvanised	128.710
	Stainless steel	128.717

Bottom guide - option 3



Guiding - Option 4

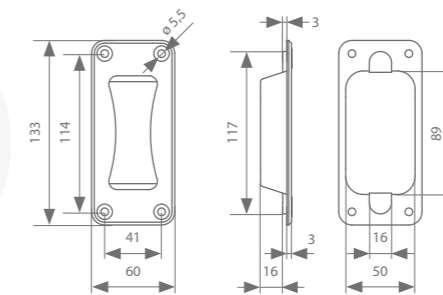
Special guiding channels, see p. 57

Brush strip



Length	Sweep	Reference
2000 mm	20 mm	139.830.200
3000 mm		139.830.300
3000 mm	20 mm	139.850.300

Handle



Tarp rollers

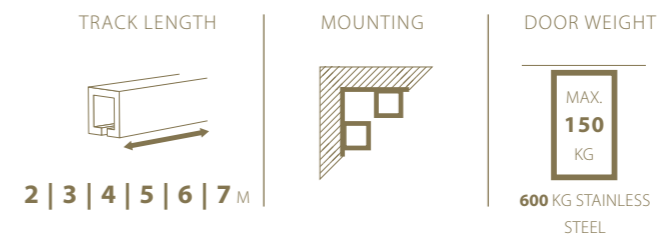
It is very important to choose the correct and customised rollers when tarps, sails and heavy wall coverings need to be hung while retaining the ability to adjust their position.

See p. 165 for more info.



rob
170.000

These fittings are suitable for gates up to 150 kg. The tracks are to be suspended to the wall, ceiling or lintel by using brackets out of our range. Brackets are conceived to suspend the tracks in an encompassing way and some models serve as connecting bracket to connect two tracks in line, or as end bracket to prevent the track from sliding and to serve as additional safety if the stopper is not correctly tightened. The gate is always suspended by 2 rollers that are easily adjustable in height. They are equipped with sealed bearing wheels so that re-lubrication is practically unnecessary. All wheels are suitable to absorb slight tilting of the track. The bottom guide rollers are always made out of hardened steel.

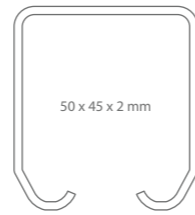


170.000

assemble your set 

Running tracks

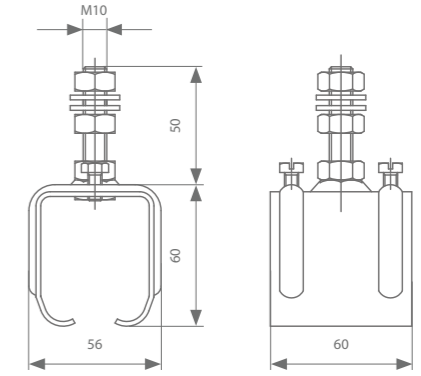
	Max. door weight	Length	Reference
Galvanised running track	150 kg	2000 mm	170.000.200
		3000 mm	170.000.300
		4000 mm	170.000.400
		5000 mm	170.000.500
		6000 mm	170.000.600
		7000 mm	170.000.700



Bracket on threaded rod
171.310



Connector bracket on threaded rod
171.330



Connecting socket
171.450

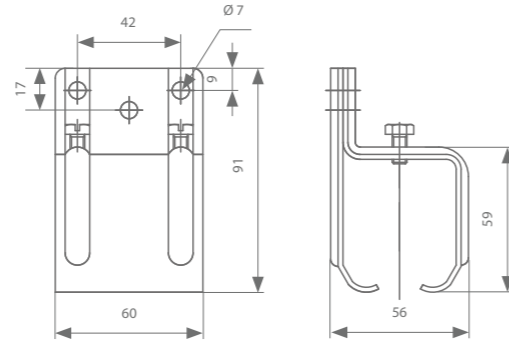
Suspension brackets (required every 500-600 mm)



Wall (joint) bracket
171.110



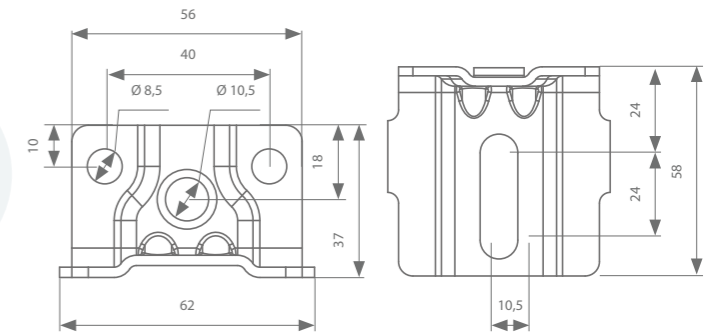
Wall (joint) bracket
171.120



The use of bracket on threaded rods and carrying consoles allows for an adjustable wall mount single track



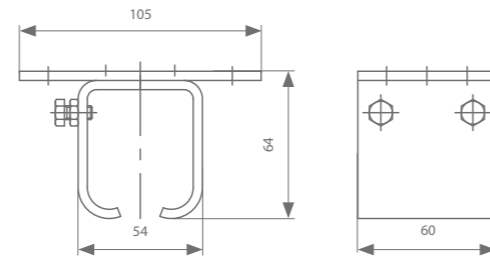
Carrying console
121.910
121.917 (stainless steel)



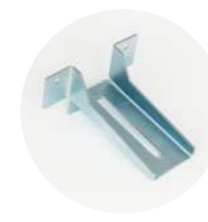
Ceiling bracket
171.230



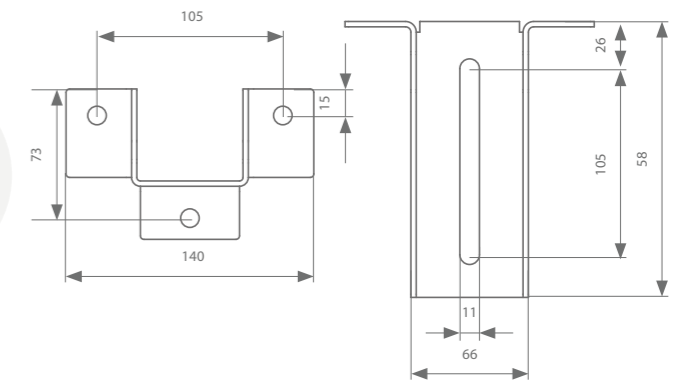
Ceiling joint bracket
171.270



The use of 2 brackets on threaded rods on a double carrying console allows for an adjustable wall mount double track



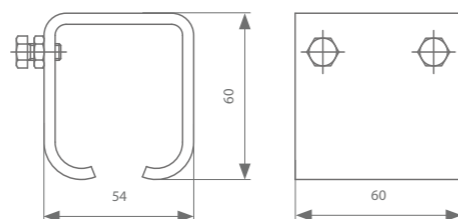
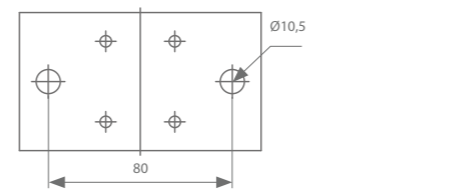
Double carrying console
121.930
121.937 (stainless steel)



Weld bracket
171.130.1











Weld joint bracket
171.290






Rollers with suspension plates - Option 1

Roller with fixed bolt


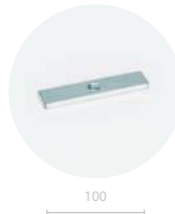

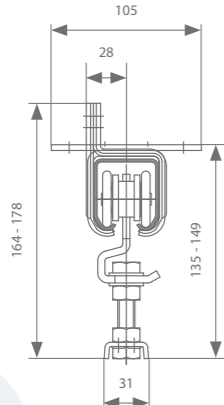
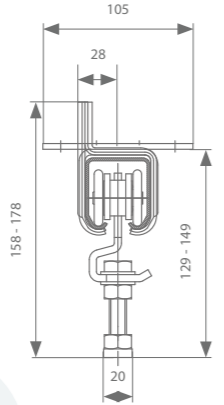
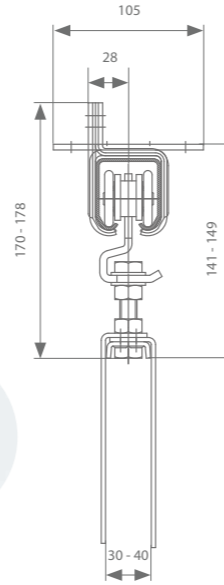
	Single roller with fixed bolt	Max. door weight	Reference
	Galvanised with steel wheels	100 kg	174.110
	Galvanised with plastic wheels	100 kg	174.115
	Double roller with fixed bolt	Max. door weight	Reference
	Galvanised with steel wheels	150 kg	174.120
	Galvanised with plastic wheels	150 kg	174.125
	Galvanised moveable rolling element with steel wheels	Max. door weight	Reference
	Galvanised moveable rolling element with plastic wheels	150 kg	174.165

Rollers with suspension plates - Option 2

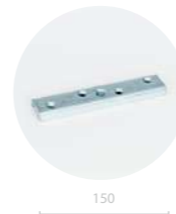


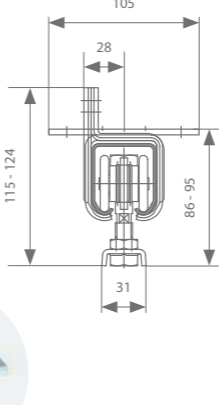
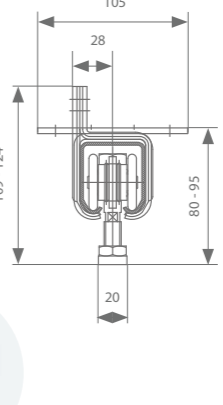
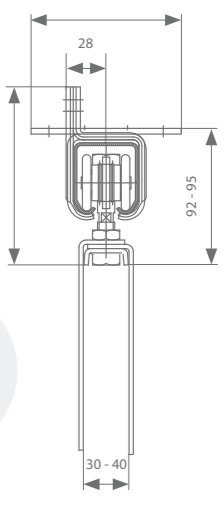
Space-saving roller

	Double roller with pivot bolt	Max. door weight	Reference
	Galvanised with steel wheels	150 kg	174.250
	Galvanised with steel wheels	150 kg	174.255

Suspension plate

		
		
Suspension plate	Suspension plate	Encompassing suspension plate
Galvanised	Galvanised	Galvanised
Reference	Reference	Reference
127.110	127.610	127.320

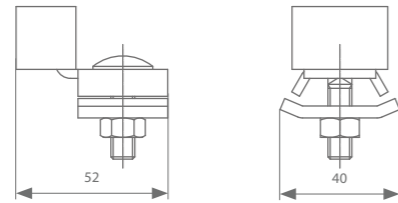
Suspension plate

		
		
Suspension plate	Suspension plate	Encompassing suspension plate
Galvanised	Galvanised	Galvanised
Reference	Reference	Reference
127.110	127.610	127.320

Stopper

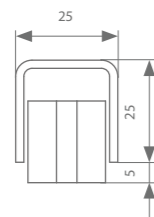


Stopper
129.610



Bottom guide - option 1

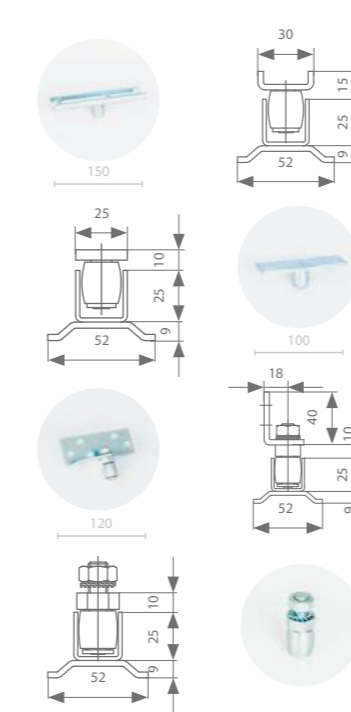
	Length	Reference
Bottom guide track for the door (galvanised)	2000 mm	120.600.200
	3000 mm	120.600.300
	4000 mm	120.600.400
	5000 mm	120.600.500
	6000 mm	120.600.600
Bottom guide track for the door (stainless steel)	7000 mm	120.600.700
	2000 mm	120.607.200
	3000 mm	120.607.300
	4000 mm	120.607.400
	5000 mm	120.607.500
	6000 mm	120.607.600
	7000 mm	120.607.700



	Reference
Bottom guide conductor block (plastic)	129.315

Bottom guide - option 2

	Length	Reference
Bottom guide track (25 x 25 mm) with stone claws (galvanised)	2000 mm	120.400.200
	3000 mm	120.400.300
	4000 mm	120.400.400
	5000 mm	120.400.500
	6000 mm	120.400.600
Bottom guide track (25 x 25 mm) with stone claws (stainless steel)	7000 mm	120.400.700
	2000 mm	120.407.200
	3000 mm	120.407.300
	4000 mm	120.407.400
	5000 mm	120.407.500
	6000 mm	120.407.600
	7000 mm	120.407.700

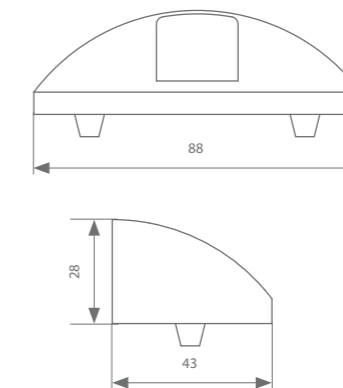


	Material	Reference
Guide on screw plate	galvanised	128.110
	galvanised	128.610
Guide on weld plate	Stainless steel	128.617
	galvanised	128.410
Guide on angle plate	Stainless steel	128.417
	galvanised	128.710
Guide wheel on bolt	Stainless steel	128.717

Bottom guide - option 3



Floor guide
139.365



Guiding - Option 4

Special guiding channels, see p. 57



170.000

assemble your set



Brush strip

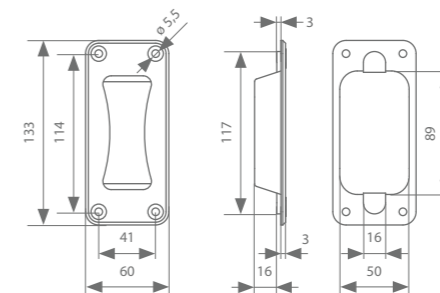


Length	Sweep	Reference
2000 mm	20 mm	139.830.200
3000 mm		139.830.300
3000 mm	20 mm	139.850.300

Handle



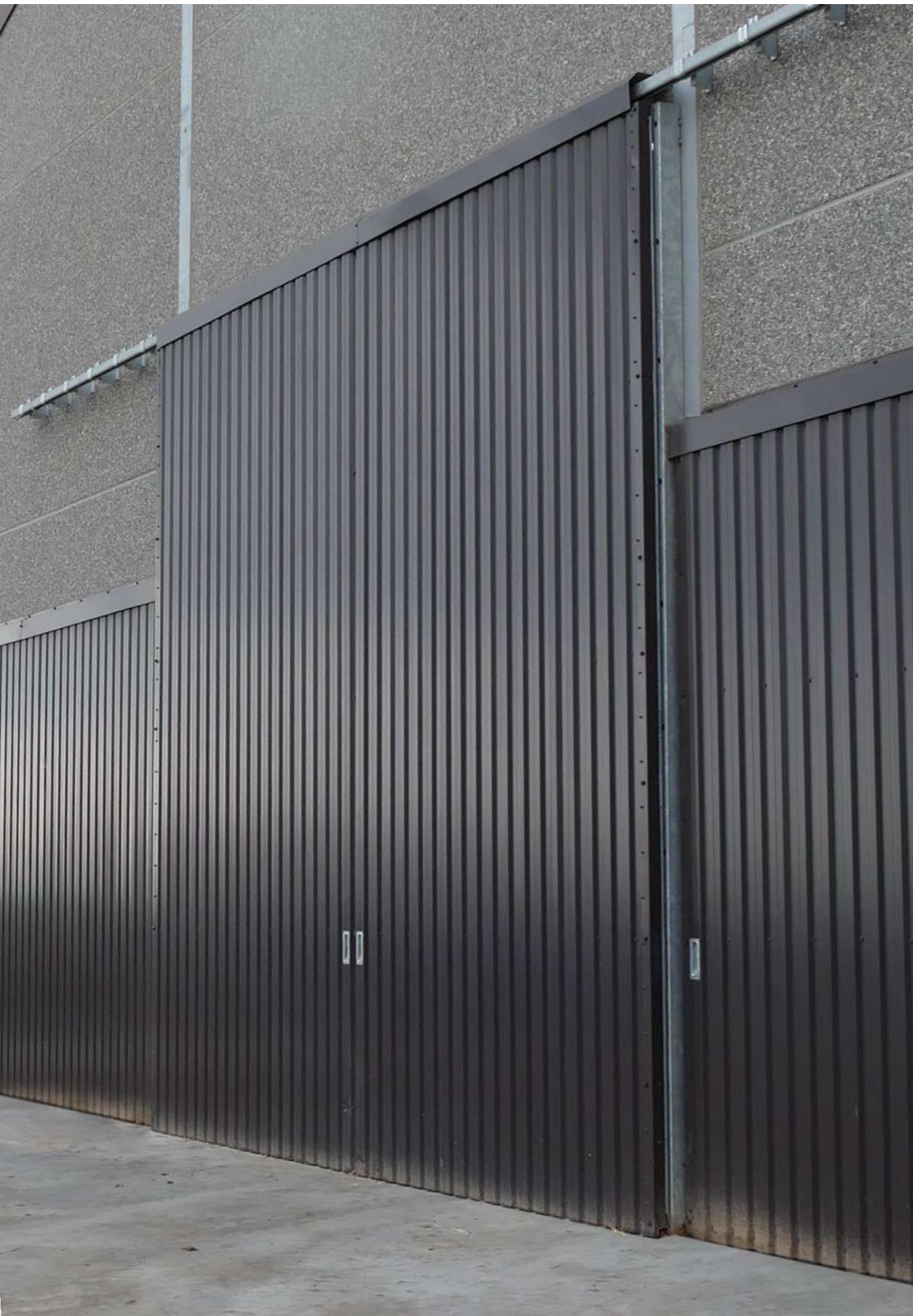
Handle
139.828



Tarp rollers

It is very important to choose the correct and customised rollers when tarps, sails and heavy wall coverings need to be hung while retaining the ability to adjust their position.

See p. 165 for more info.



rob
130.000

These fittings are suitable for gates up to 400 kg when using the steel version and up to 600 kg when using the stainless steel version. The tracks are to be suspended to the wall, ceiling or lintel by using brackets out of our range. Brackets are conceived to suspend the tracks in an encompassing way and some models serve as connecting bracket to connect two tracks in line, or as end bracket to prevent the track from sliding and to serve as additional safety if the stopper is not correctly tightened. The gate is always suspended by 2 rollers that are easily adjustable in height. They are equipped with sealed bearing wheels so that re-lubrication is practically unnecessary. All wheels are suitable to absorb slight tilting of the track. The bottom guide rollers are always made out of hardened steel.



130.000

assemble your set 

Running tracks

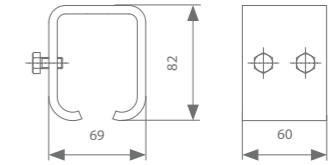
	Max. door weight	Length	Reference
Galvanised running track	400 kg	2000 mm	130.000.200
		3000 mm	130.000.300
		4000 mm	130.000.400
		5000 mm	130.000.500
		6000 mm	130.000.600
Stainless steel running track	600 kg	2000 mm	130.007.200
		3000 mm	130.007.300
		4000 mm	130.007.400
		5000 mm	130.007.500
		6000 mm	130.007.600
		7000 mm	130.007.700



Weld bracket
131.130.1
131.137.1 (stainless steel)



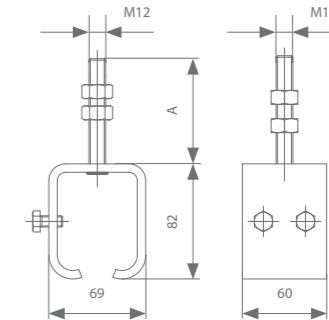
Weld joint bracket
131.290
131.297 (stainless steel)



Bracket on threaded rod
131.310
131.317 (stainless steel)



Connector bracket on threaded rod
131.320
131.327 (stainless steel)



	Reference
Bracket on threaded rod A: 75 mm	131.310
Bracket on threaded rod A: 120 mm	131.310.012
Bracket on threaded rod A: 150 mm	131.310.015
Bracket on threaded rod A: 200 mm	131.310.020

	Reference
Connector bracket on threaded rod A: 75 mm	131.320
Connector bracket on threaded rod A: 120 mm	131.320.012
Connector bracket on threaded rod A: 150 mm	131.320.015
Connector bracket on threaded rod A: 200 mm	131.320.020

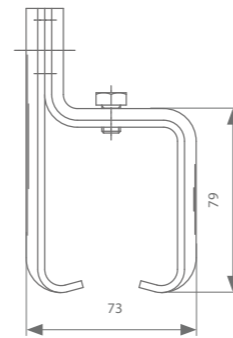
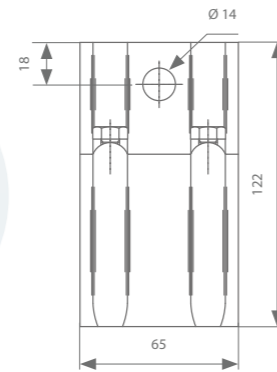
Suspension brackets (required every 500-600 mm)



Wall bracket
131.110
131.117 (stainless steel)



Wall joint bracket
131.120
131.127 (stainless steel)

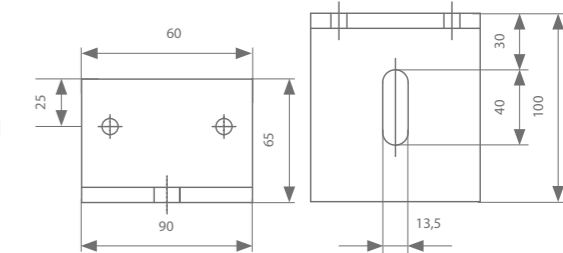


Joint bracket
131.450

The use of Bracket on threaded rods and carrying consoles allows for an adjustable wall mount single track



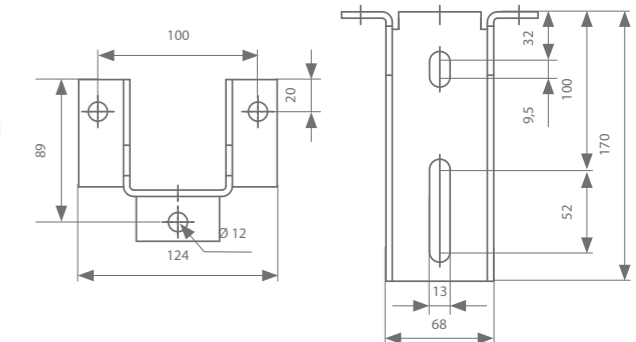
Carrying console
131.910
131.917 (stainless steel)



The use of 2 Bracket on threaded rods on a double carrying console allows for an adjustable wall mount double track



Double carrying console
131.930



Rollers with suspension plates - Option 1

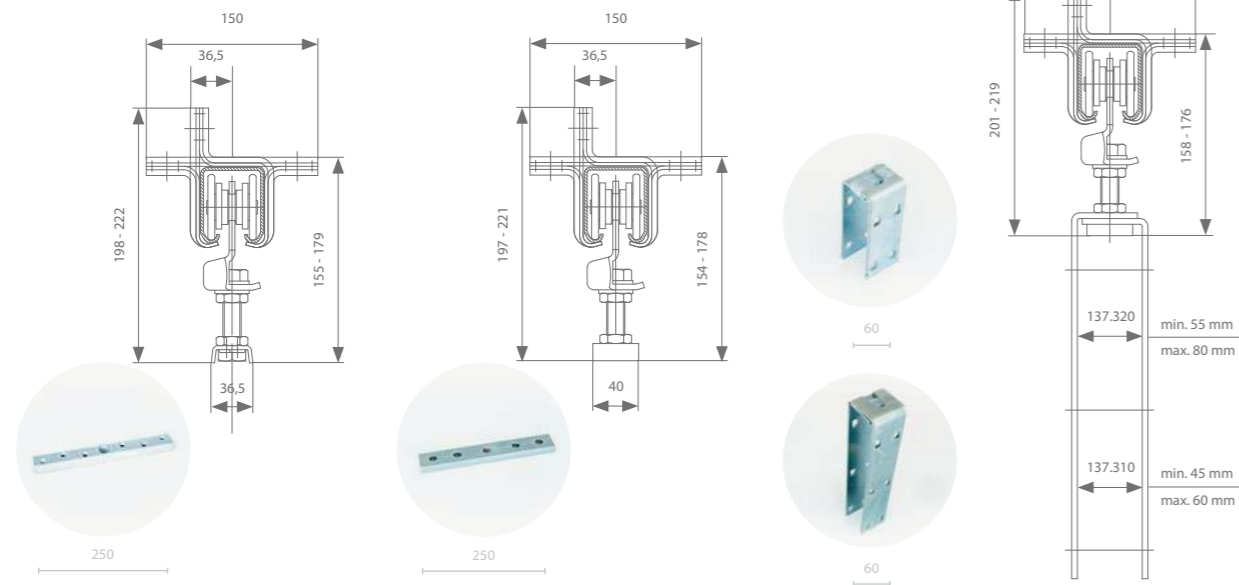
Roller with fixed bolt

Single roller with fixed bolt	Max. door weight	Reference
Galvanised with steel wheels	150 kg	134.110
Galvanised with plastic wheels	105 kg	134.115
Stainless steel with stainless steel wheels, steel bearings	300 kg	134.117
Stainless steel with stainless steel wheels, stainless steel bearings	300 kg	134.117.02
Stainless steel with plastic wheels, steel bearings	105 kg	134.115.07

Double roller with fixed bolt	Max. door weight	Reference
Galvanised with steel wheels	300 kg	134.120
Galvanised with plastic wheels	210 kg	134.125
Stainless steel with stainless steel wheels, steel bearings	400 kg	134.127
Stainless steel with stainless steel wheels, stainless steel bearings	400 kg	134.127.02
Stainless steel with plastic wheels, steel bearings	210 kg	134.125.07

Triple roller with fixed bolt	Max. door weight	Reference
Stainless steel with stainless steel wheels, steel bearings	400 kg	134.130
Galvanised with plastic wheels, stainless steel bearings	280 kg	134.135

Suspension plate



Suspension plate	Reference	Suspension plate	Reference	Suspension plate	Height	Reference
Galvanised	137.110	Galvanised	137.610	Galvanised	160 mm	137.310
		Stainless steel	137.617		320 mm	137.310

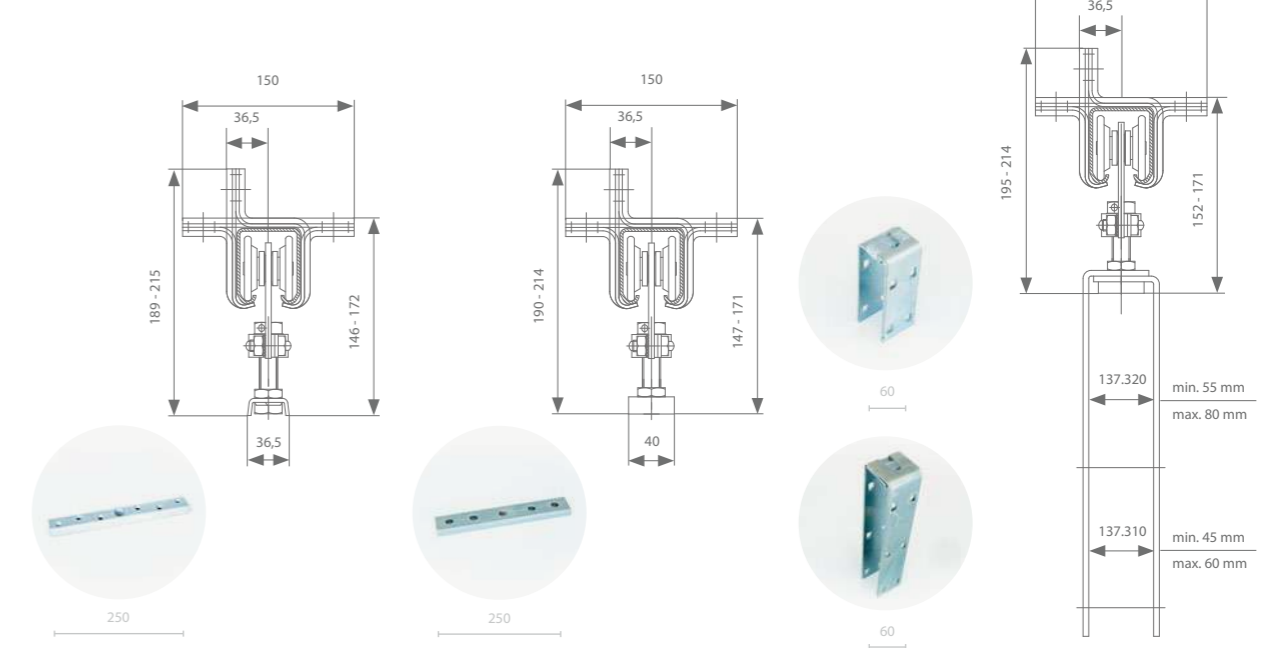
Rollers with suspension plates - Option 2

Roller with pivot bolt

Roller with pivot bolt	Max. door weight	Reference
Galvanised with steel wheels	150 kg	134.210
Galvanised with plastic wheels	105 kg	134.215
Stainless steel with stainless steel wheels, steel bearings	300 kg	134.217
Stainless steel with stainless steel wheels, stainless steel bearings	300 kg	134.217.02
Stainless steel with plastic wheels, steel bearings	105 kg	134.215.07

Double roller with fulcrum pin	Max. door weight	Reference
Galvanised with steel wheels	300 kg	134.240
Galvanised with plastic wheels	210 kg	134.245
Stainless steel with stainless steel wheels, steel bearings	600 kg	134.247
Stainless steel with stainless steel wheels, stainless steel bearings	600 kg	134.247.02
Stainless steel with plastic wheels, steel bearings	210 kg	134.245.07

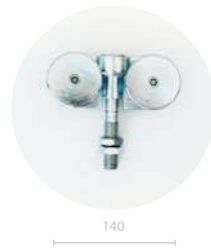
Suspension plate



Suspension plate	Reference	Suspension plate	Reference	Suspension plate	Height	Reference
Galvanised	137.110	Galvanised	137.610	Galvanised	160 mm	137.310
		Stainless steel	137.617		320 mm	137.310

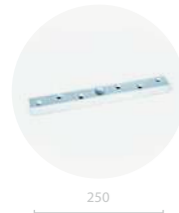
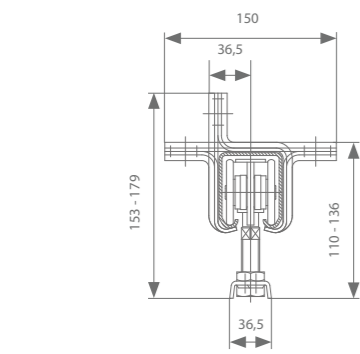
Rollers with suspension plates - Option 3

Space-saving roller

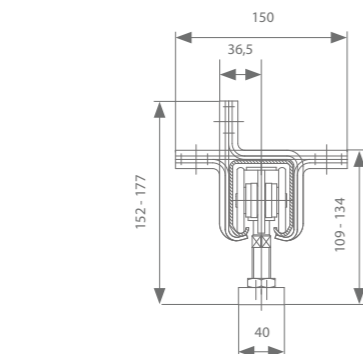


	Max. door weight	Reference
Galvanised with steel wheels	300 kg	134.250
Galvanised with plastic wheels	210 kg	134.255
Stainless steel with stainless steel wheels, steel bearings	540 kg	134.257
Stainless steel with stainless steel wheels, stainless steel bearings	540 kg	134.257.02
Stainless steel with plastic wheels, steel bearings	210 kg	134.255.07

Suspension plate



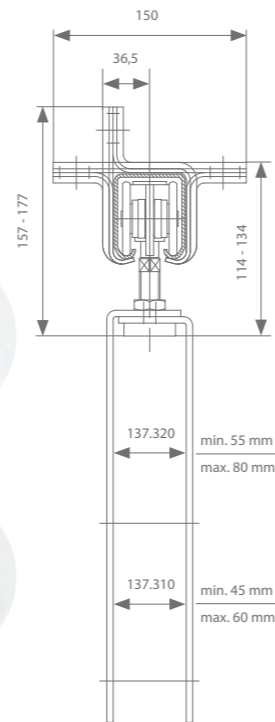
Suspension plate	Reference
Galvanised	137.110



Suspension plate	Reference
Galvanised	137.610
Stainless steel	137.617



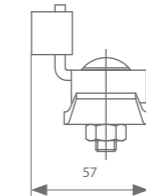
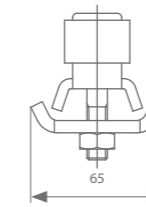
Suspension plate	Height	Reference
Galvanised	160 mm	137.310
	320 mm	137.320



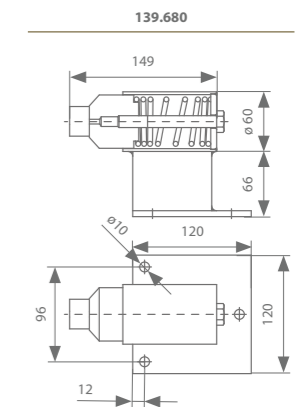
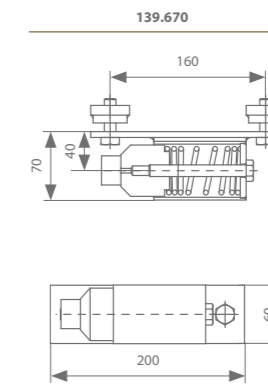
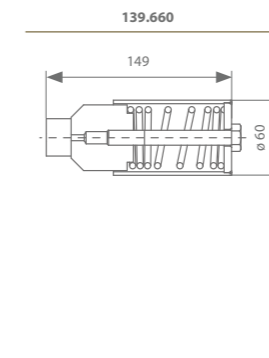
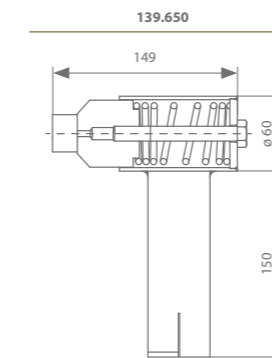
Stopper



Stopper
139.610
139.617 (stainless steel)

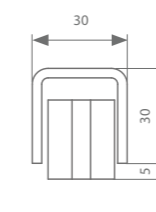


For heavy doors, proper door stops is equally important as proper suspension. When the doors are stopped only by rollers running into an end stopper in the profile, the rollers and profile suspension are exposed to likely damage. The use of a stopper with a spring to stop the door itself, can help avoid a lot of issues.



Bottom guide - option 1

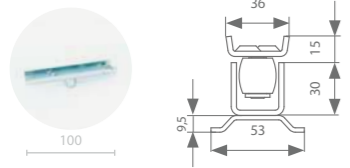
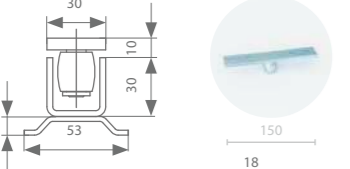
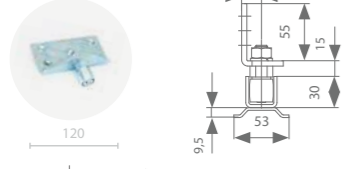
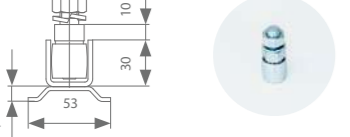
	Length	Reference
Bottom guide track for the door (galvanised)	2000 mm	130.600.200
	3000 mm	130.600.300
	4000 mm	130.600.400
	5000 mm	130.600.500
	6000 mm	130.600.600
Bottom guide track for the door (stainless steel)	7000 mm	130.600.700
	2000 mm	130.607.200
	3000 mm	130.607.300
	4000 mm	130.607.400
	5000 mm	130.607.500
6000 mm	130.607.600	
7000 mm	130.607.700	



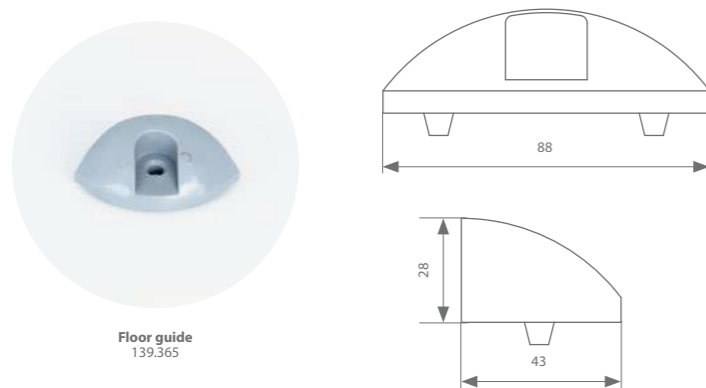
	Reference
Bottom guide conductor block (plastic)	139.315

Bottom guide - option 2

	Length	Reference
Bottom guide track (30 x 30 mm) with stone claws (galvanised)	2000 mm	130.400.200
	3000 mm	130.400.300
	4000 mm	130.400.400
	5000 mm	130.400.500
	6000 mm	130.400.600
Bottom guide track (30 x 30 mm) with stone claws (stainless steel)	7000 mm	130.400.700
	2000 mm	130.407.200
	3000 mm	130.407.300
	4000 mm	130.407.400
	5000 mm	130.407.500
	6000 mm	130.407.600
	7000 mm	130.407.700

	Material	Reference
 Guide on screw plate	galvanised	138.110
 Guide on weld plate	galvanised	138.610
	Stainless steel	138.617
 Guide on angle plate	galvanised	138.410
	Stainless steel	138.417
 Guide wheel on bolt	galvanised	138.710
	Stainless steel	138.717

Bottom guide - option 3



Guiding - Option 4

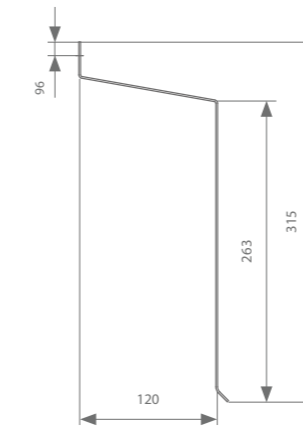
Special guiding channels, see p. 57

Brush strip



Length	Sweep	Reference
2000 mm	20 mm	139.830.200
3000 mm		139.830.300
3000 mm	20 mm	139.850.300

Cover

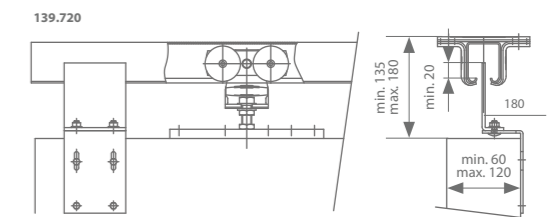


	Max. door width	Material	Length	Reference
Cover	1500 mm	galvanised	3000 mm	139.910

Extra accessories	Quantity	Reference
Set of end caps	1 x	139.920
Suspension parts	Each 1000 mm	139.930
Connecting suspension parts	Each coupling with the following cover cap	139.940

Fall protection

To prevent the door from falling should the suspension (wheel or bolt) fail. Each door must be fitted with double protection.



Handle



Tarp rollers

It is very important to choose the correct and customised rollers when tarps, sails and heavy wall coverings need to be hung while retaining the ability to adjust their position.

See p. 165 for more info.



rob
140.000

This steel fitting is suitable for gates up to 800 kg. It has a steel profile to attach to the wall or ceiling via brackets. The brackets are made to connect the profile, but also to support the profile. Therefore, if the profile has to be welded, one should always use the weld brackets. The connecting brackets are always needed at each end of the profile or to connect the profiles to each other. The gate is always suspended by 2 rollers that are easily adjustable in height. The rollers are equipped with sealed wheels that practically eliminate the need for relubrication. All wheels are suitable for accommodating slight tilts in the profile. The lower channel rollers are always made of hardened steel with needle bearings.

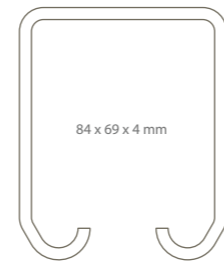


140.000

assemble your set 

Running tracks

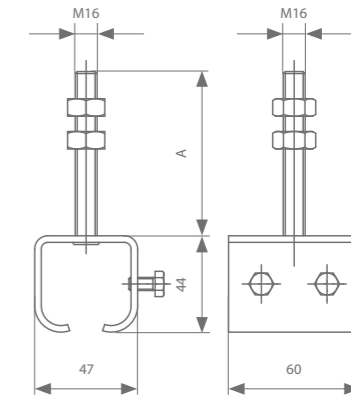
	Max. door weight	Length	Reference
Galvanised running track	800 kg	2000 mm	140.000.200
		3000 mm	140.000.300
		4000 mm	140.000.400
		5000 mm	140.000.500
		6000 mm	140.000.600
		7000 mm	140.000.700



Bracket on threaded rod
141.310



Connector bracket on threaded rod
141.320



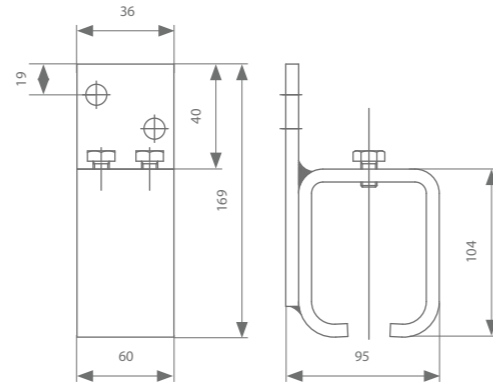
Suspension brackets (required every 500-600 mm)



Wall bracket
141.130



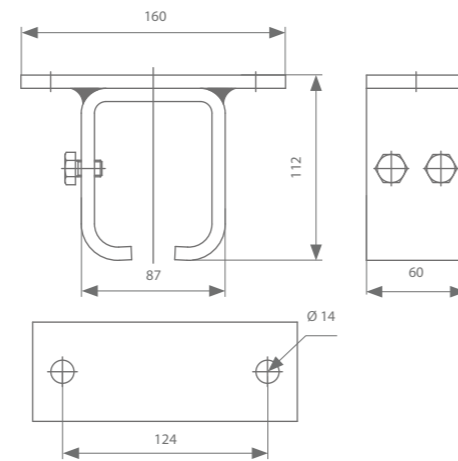
Wall joint bracket
141.140



Ceiling bracket
141.230



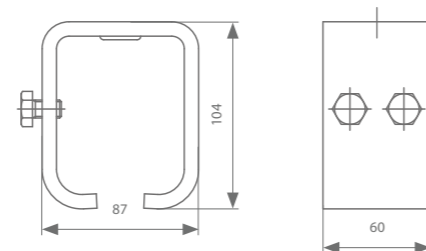
Ceiling joint bracket
141.240



Weld bracket
141.130.1



Weld joint bracket
141.290



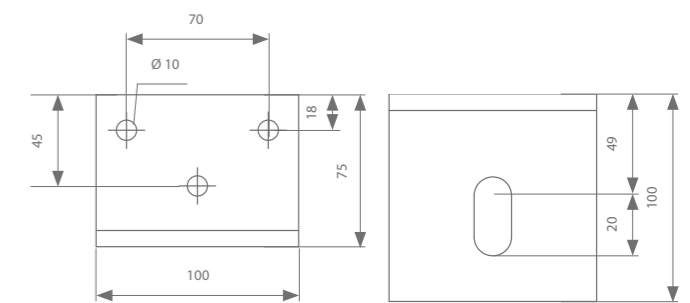
	Reference
Bracket on threaded rod A: 75 mm	141.310
Bracket on threaded rod A: 120 mm	141.310.012
Bracket on threaded rod A: 150 mm	141.310.015
Bracket on threaded rod A: 200 mm	141.310.020

	Reference
Connector bracket on threaded rod A: 75 mm	141.320
Connector bracket on threaded rod A: 120 mm	141.320.012
Connector bracket on threaded rod A: 150 mm	141.320.015
Connector bracket on threaded rod A: 200 mm	141.320.020

The use of Bracket on threaded rods and carrying consoles allows for an adjustable wall mount single track



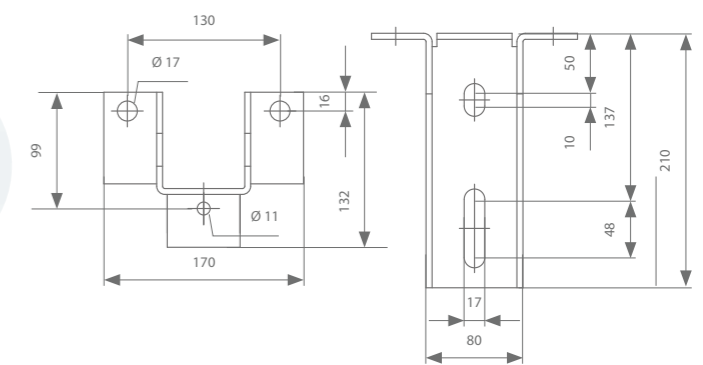
Carrying console
141.910



The use of 2 Bracket on threaded rods on a double carrying console allows for an adjustable wall mount double track







Double carrying console
141.930

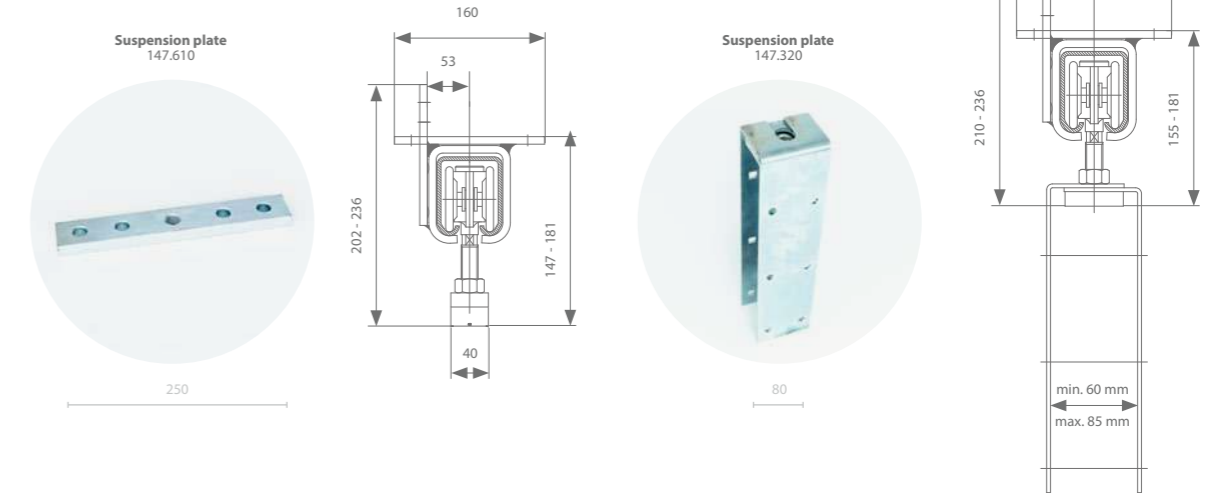


Rollers with suspension plates - Option 1

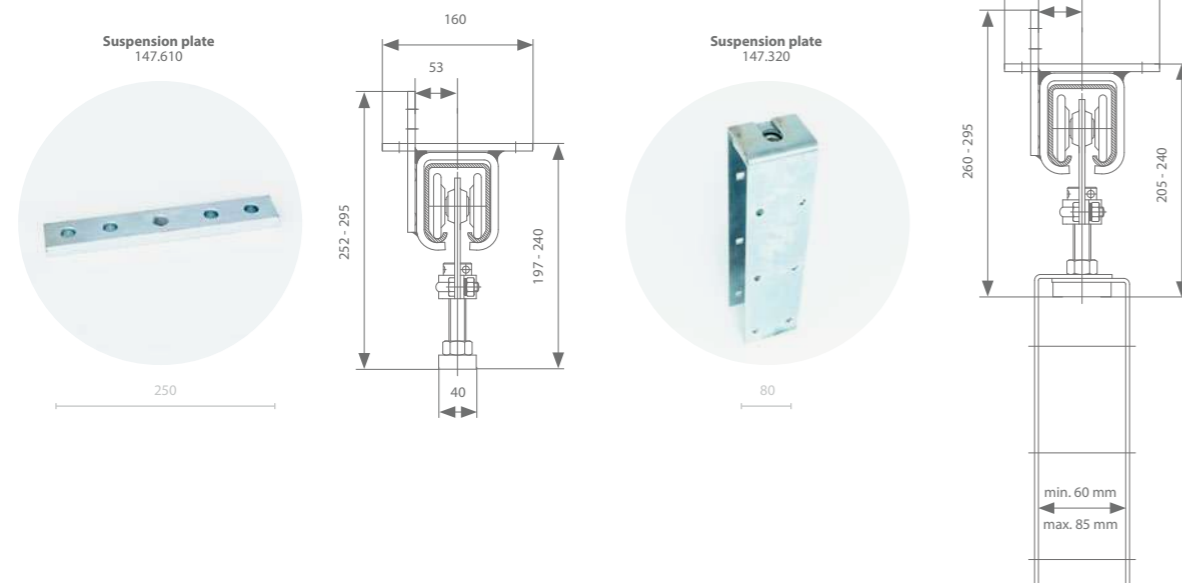
Roller with pivot bolt

	Roller with pivot bolt	Max. door weight	Reference
	Galvanised with steel wheels	400 kg	144.210
	Double roller with pivot bolt		
	Galvanised with steel wheels	800 kg	144.240

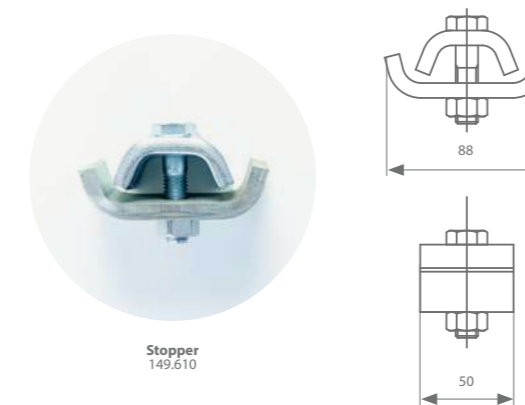
Suspension plate



Suspension plate





Stopper

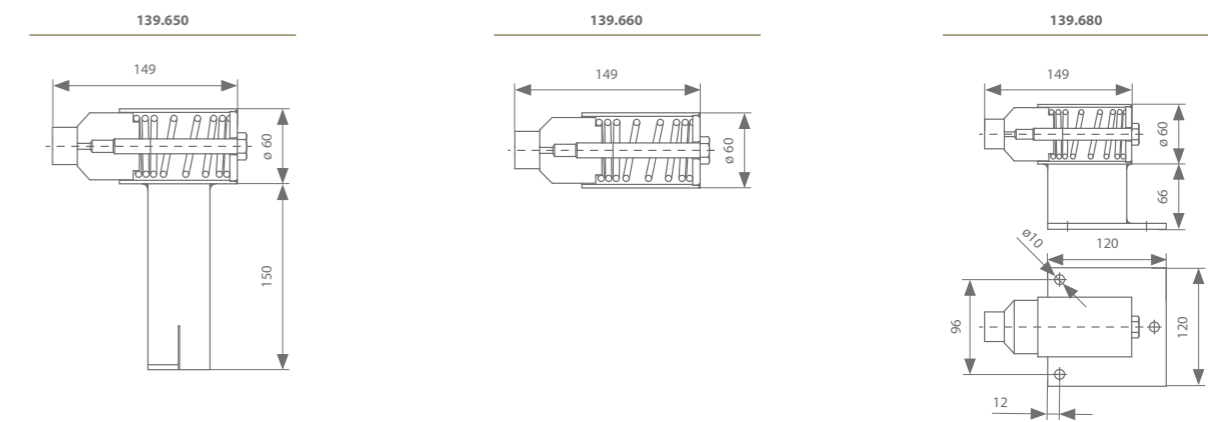


For heavy doors, proper door stops is equally important as proper suspension. When the doors are stopped only by rollers running into an end stopper in the profile, the rollers and profile suspension are exposed to likely damage. The use of a stopper with a spring to stop the door itself, can help avoid a lot of issues.

Rollers with suspension plates - Option 2

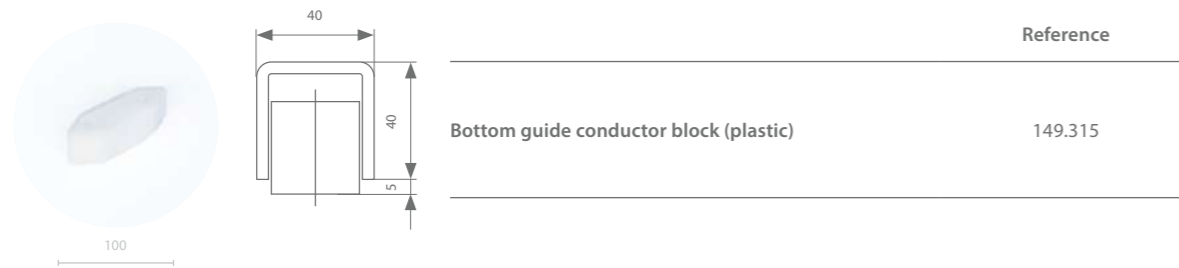
Space-saving roller

	Double roller with fixed bolt	Max. door weight	Reference
	Galvanised with steel wheels	800 kg	144.250



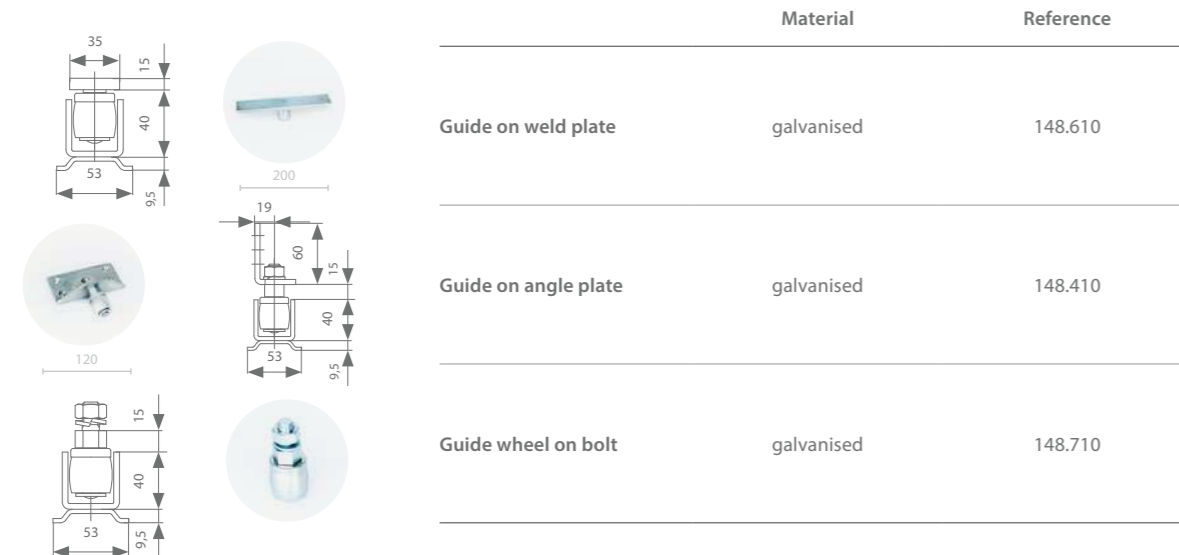
Bottom guide - option 1

	Length	Reference
Bottom guide track for the door (galvanised)	2000 mm	140.600.200
	3000 mm	140.600.300
	4000 mm	140.600.400
	5000 mm	140.600.500
	6000 mm	140.600.600
Bottom guide track for the door (stainless steel)	7000 mm	140.600.700
	2000 mm	140.607.200
	3000 mm	140.607.300
	4000 mm	140.607.400
	5000 mm	140.607.500
	6000 mm	140.607.600
	7000 mm	140.607.700



Bottom guide - option 2

	Length	Reference
Bottom guide track (40 x 40 mm) with stone claws (galvanised)	2000 mm	140.400.200
	3000 mm	140.400.300
	4000 mm	140.400.400
	5000 mm	140.400.500
	6000 mm	140.400.600
Bottom guide track (40 x 40 mm) with stone claws (stainless steel)	7000 mm	140.400.700
	2000 mm	140.407.200
	3000 mm	140.407.300
	4000 mm	140.407.400
	5000 mm	140.407.500
	6000 mm	140.407.600
	7000 mm	140.407.700



Bottom guide - option 3

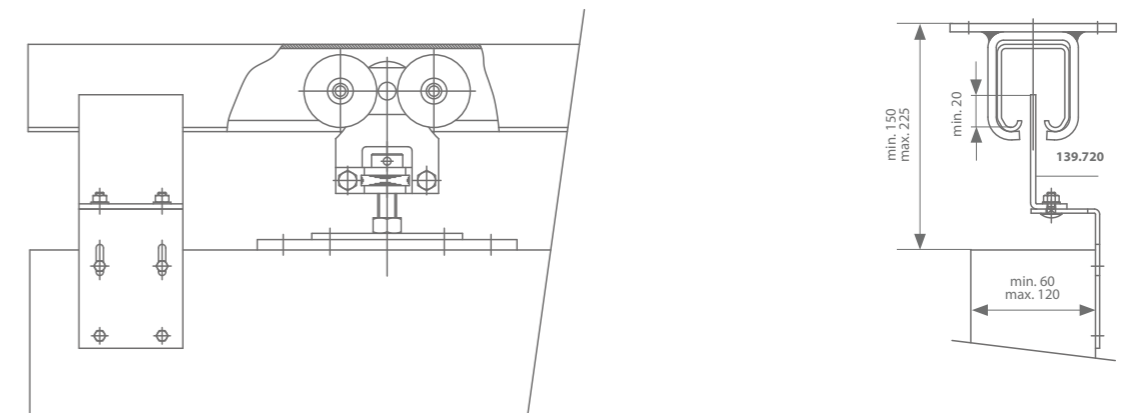
Special guiding channels, see p. 57

Brush strip

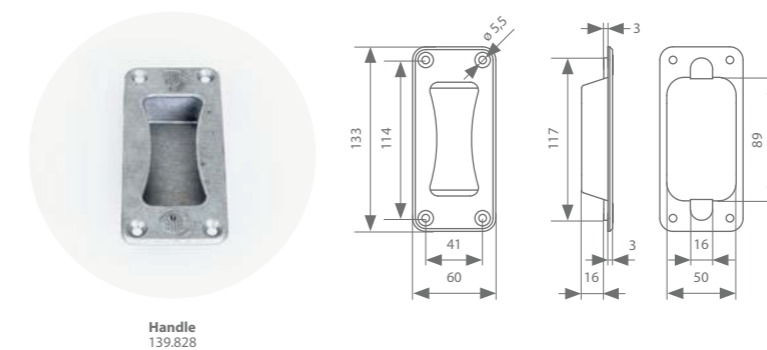
	Length	Sweep	Reference
	2000 mm	20 mm	139.830.200
	3000 mm		139.830.300
	3000 mm	20 mm	139.850.300

Fall protection

To prevent the door from falling should the suspension (wheel or bolt) fail. Each door must be fitted with double protection.



Handle



Tarp rollers

It is very important to choose the correct and customised rollers when tarps, sails and heavy wall coverings need to be hung while retaining the ability to adjust their position.

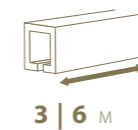
See p. 165 for more info.



rob
250.000

These fittings are suitable for gates up to 1800 kg. The steel tracks are to be suspended to the wall, ceiling or lintel by using brackets out of our range. Brackets are conceived to suspend the tracks in an encompassing way and some models serve as connecting bracket to connect two tracks in line, or as end bracket to prevent the track from sliding and to serve as additional safety if the stopper is not correctly tightened. If the track is to be welded to the construction, one should always use the adequate brackets. The gate is always suspended by 2 rollers that are easily adjustable in height. They are equipped with sealed bearing wheels so that re-lubrication is practically unnecessary. All wheels are suitable to absorb slight tilting of the track. The bottom guide rollers are always made out of hardened steel with needle bearings

TRACK LENGTH



MOUNTING



DOOR WEIGHT

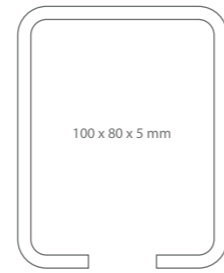


250.000

assemble your set 

Running tracks

	Max. door weight	Length	Reference
Brut running profile	1800 kg	3000 mm	250.000.300.2
		6000 mm	250.000.600.2



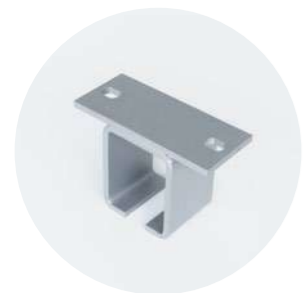
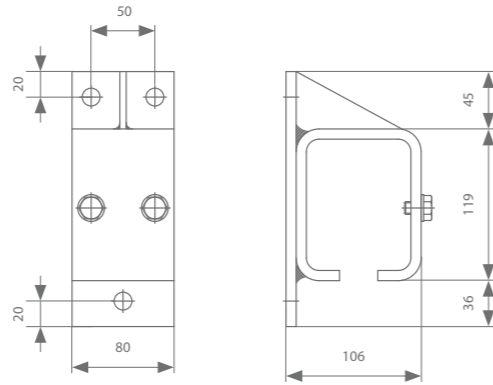
Suspension brackets (required every 500-600 mm)



Wall bracket
251.130



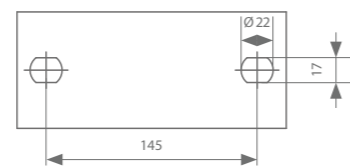
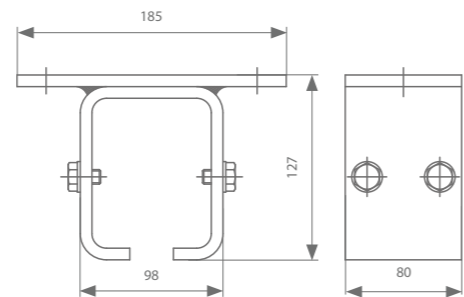
Wall bracket
251.140



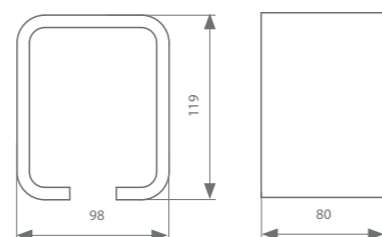
Ceiling bracket
251.230



Ceiling bracket
251.240



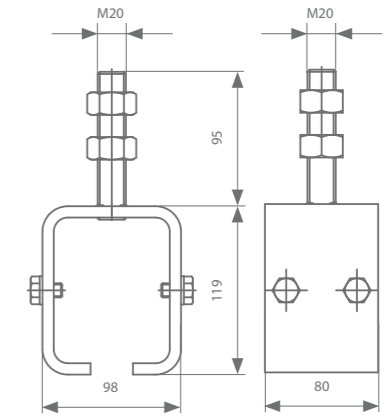
Weld bracket
251.130.1



Bracket on threaded rod
251.310



Bracket on threaded rod
251.340



	Reference
Bracket on threaded rod A: 95 mm	251.310
Bracket on threaded rod A: 120 mm	251.310.012
Bracket on threaded rod A: 150 mm	251.310.015
Bracket on threaded rod A: 200 mm	251.310.020

	Reference
Connector bracket on threaded rod A: 75 mm	251.320
Connector bracket on threaded rod A: 120 mm	251.320.012
Connector bracket on threaded rod A: 150 mm	251.320.015
Connector bracket on threaded rod A: 200 mm	251.320.020

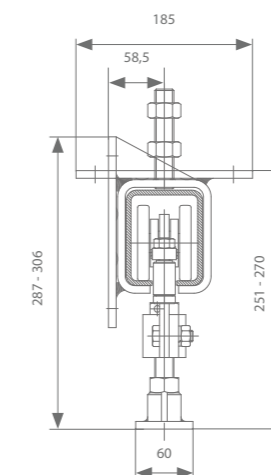
Rollers with suspension plates - Option 1

Roller with pivot bolt



Double roller with pivot bolt	Max. door weight	Reference
Galvanised with steel wheels	1800 kg	254.240

Suspension plate



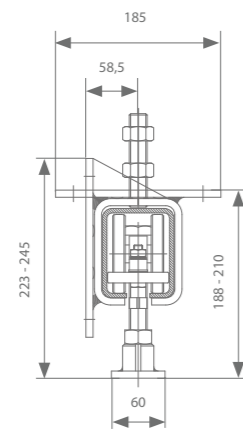
Rollers with suspension plates - Option 2

Space-saving roller

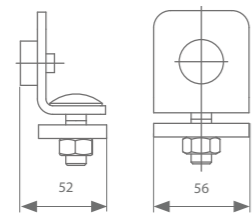


Double roller with pivot bolt	Max. door weight	Reference
Galvanised with steel wheels	1800 kg	254.120.10

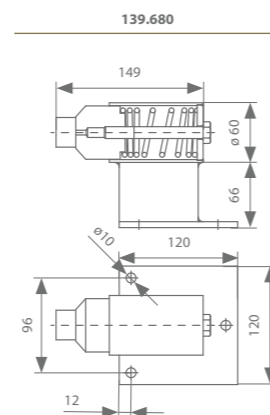
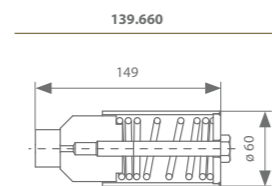
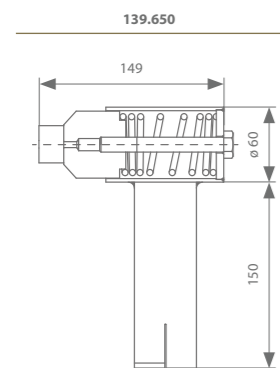
Suspension plate



Stopper

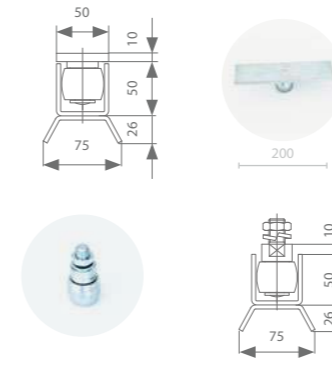


For heavy doors, proper door stops are equally important as proper suspension. When the doors are stopped only by rollers running into an end stopper in the profile, the rollers and profile suspension are exposed to likely damage. The use of a stopper with a spring to stop the door itself, can help avoid a lot of issues.



Bottom guide - option 1

	Length	Reference
Bottom guide track (50 x 50 mm) with stone claws (liquid paint RAL9006)	3000 mm 6000 mm	150.400.300 150.400.600
Bottom guide track (50 x 50 mm) without stone claws (liquid paint RAL 9006)	3000 mm 6000 mm	150.600.300 150.600.600



	Material	Reference
Guide on weld plate	galvanised	158.610
Guide wheel on bolt	galvanised	158.710

Bottom guide - option 2

Special guiding channels, see p. 57

Brush strip

Length	Sweep	Reference
2000 mm	20 mm	139.830.200
3000 mm		139.830.300
3000 mm	20 mm	139.850.300

250.000

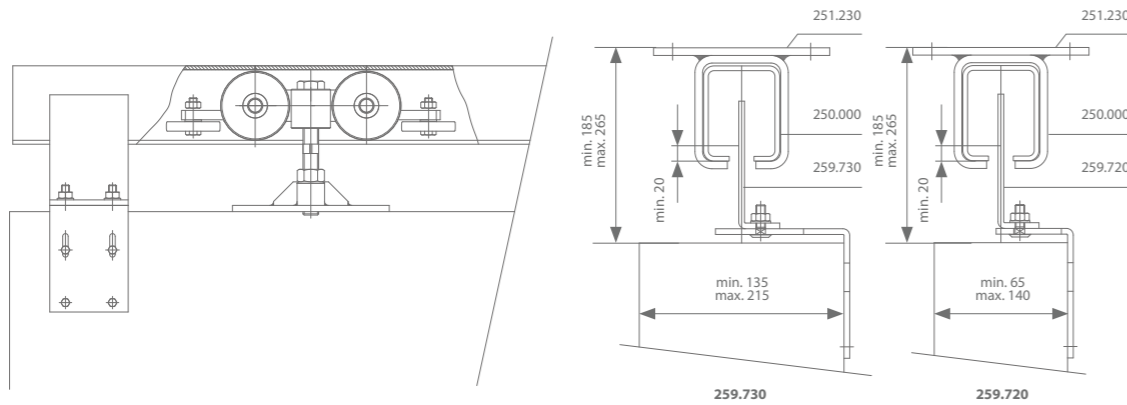
assemble your set



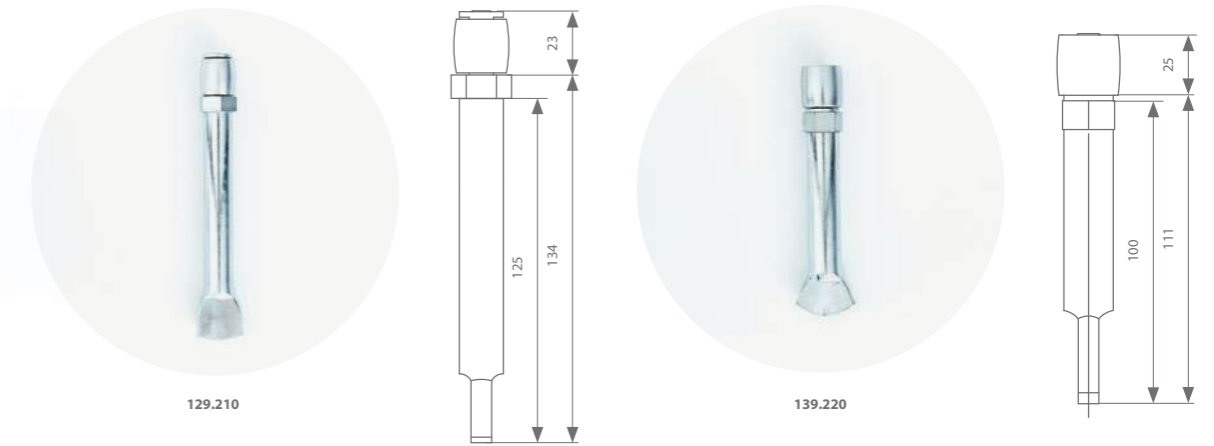
straight-sliding door hardware SPECIAL GUIDING CHANNELS

Fall protection

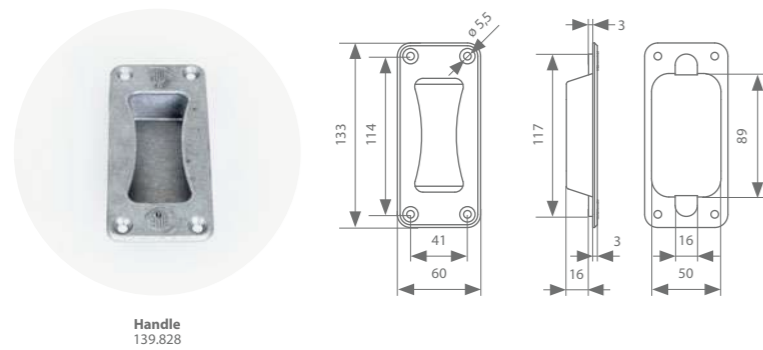
The special pieces prevent the door from falling should the load-bearing bolt of the rollers come off or break. Each door must be fitted with double protection.



Guide roller on axle



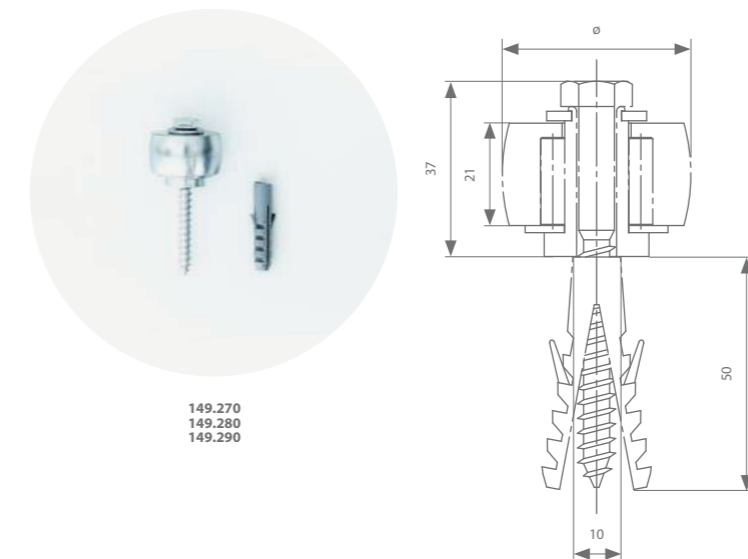
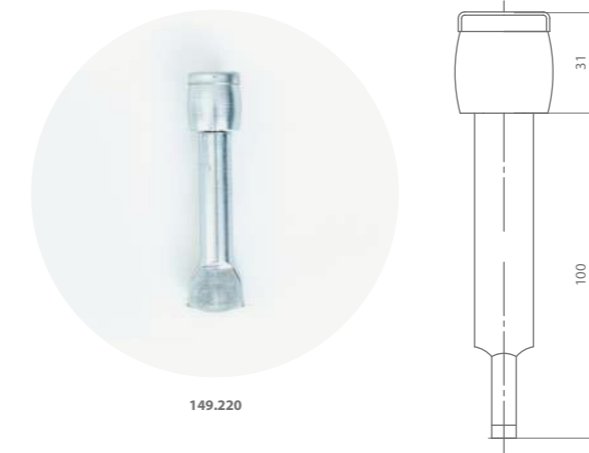
Handle



Tarp rollers

It is very important to choose the correct and customised rollers when tarps, sails and heavy wall coverings need to be hung while retaining the ability to adjust their position.

See p. 165 for more info.



iron roller	Diameter	Plastic roller
149.270	40 mm	149.275
149.280	50 mm	149.285
149.290	60 mm	149.295

PRODUCT CONFIGURATOR

60 - 180 KG

Maximum weight with strongest roller		60kg	80 kg	180 kg	150 kg	
		110.000	120.000	120.007	170.000	
Running track	2 m	110.000.200	120.000.200	120.007.200	170.000.200	
	3 m	110.000.300	120.000.300	120.007.300	170.000.300	
	4 m	110.000.400	120.000.400	120.007.400	170.000.400	
	5 m	110.000.500	120.000.500	120.007.500	170.000.500	
	6 m	110.000.600	120.000.600	120.007.600	170.000.600	
	7 m	/	120.000.700	120.007.700	170.000.700	
	Brackets	Ceiling bracket	Required every 500-600 mm	111.230	121.210	121.217
Ceiling joint bracket		At each end or as a connection	111.240	121.220	121.227	171.270
Wall bracket		Required every 500-600 mm	111.130	121.110	121.117	171.110
Wall joint bracket		At each end or as a connection	111.140	121.120	121.127	171.120
Bracket on threaded rod		Required every 500-600 mm	111.310	121.310	121.317	171.310
Threaded joint bracket		At each end or as a connection	111.320	121.320	121.327	171.330
Carrying console		Suitable for Bracket on threaded rod	/	121.910	121.917	121.910
Rollers	Single roller with fixed bolt	2 x	114.110 (40 kg)	124.110 (60 kg)	124.117.02 (100 kg)	174.110 (100 kg)
	Double roller with fixed bolt	2 x	114.120 (60 kg)	124.160 (80 kg)	124.167.02 (180 kg)	174.120 (150kg)
	Roller with pivot bolt	2 x	/	124.210 (60 kg)	124.217.02 (100 kg)	/
	Double roller with pivot bolt	2 x	/	124.260 (80 kg)	124.267.02 (180 kg)	/
	Space-saving roller	2 x	/	124.250 (80 kg)	124.257.02 (180 kg)	174.250 (150 kg)
Stopper	2 x	119.610	129.610	129.617	129.610	
Suspension plates	Suspension plates for timber doors	2 x	117.110	127.110	/	127.110
	Suspension plates for steel doors	2 x	/	127.160	127.617	127.610
	Suspension plates for timber doors	2 x	/	127.320	/	127.320

Maximum weight with strongest roller		60kg	80 kg	180 kg	150 kg
		110.000	120.000	120.007	170.000
Bottom guide track for the door	2 m	/	120.600.200	120.607.200	120.600.200
	3 m	/	120.600.300	120.607.300	120.600.300
	4 m	/	120.600.400	120.607.400	120.600.400
	5 m	/	120.600.500	120.607.500	120.600.500
	6 m	110.600.600	120.600.600	120.607.600	120.600.600
	7 m	/	120.600.700	120.607.700	120.600.700
	Bottom guide conductor block		119.315	129.315	129.315
Guiding	2 m	/	120.400.200	120.407.200	120.400.200
	3 m	/	120.400.300	120.407.300	120.400.300
	4 m	/	120.400.400	120.407.400	120.400.400
	5 m	/	120.400.500	120.407.500	120.400.500
	6 m	/	120.400.600	120.407.600	120.400.600
	7 m	/	120.400.700	120.407.700	120.400.700
	Bottom guide track with stone claws				
Guide on screw plate		/	128.110	/	128.110
Guide on weld plate		/	128.610	128.617	128.610
Guide on angle plate		/	128.410	128.417	128.410
Guide wheel on bolt		/	128.710	/	128.710
Handle		139.828	139.828	139.828	139.828

PRODUCT CONFIGURATOR

400 - 1800 KG

Maximum weight with strongest roller		400kg	600 kg	800 kg	1800 kg	
		130.000	130.007	140.000	250.000	
Running track	2 m	130.000.200	130.007.200	140.000.200	/	
	3 m	130.000.300	130.007.300	140.000.300	250.000.300.2	
	4 m	130.000.400	130.007.400	140.000.400	/	
	5 m	130.000.500	130.007.500	140.000.500	/	
	6 m	130.000.600	130.007.600	140.000.600	250.000.600.2	
	7 m	130.000.700	130.007.700	140.000.700	/	
	Brackets	Ceiling bracket	Required every 500-600 mm	131.210	131.217	141.230
Ceiling joint bracket		At each end or as a connection	131.220	131.227	141.240	251.240
Wall bracket		Required every 500-600 mm	131.110	131.117	131.130	251.130
Wall joint bracket		At each end or as a connection	131.120	131.127	131.140	251.140
Bracket on threaded rod		Required every 500-600 mm	131.310	131.317	141.310	251.310
Threaded joint bracket		At each end or as a connection	131.320	131.327	141.320	251.340
Carrying console		Suitable for Bracket on threaded rod	131.910	131.917	141.910	/
Rollers	Single roller with fixed bolt	2 x	134.110 (150 kg)	134.117.02 (300 kg)	/	/
	Double roller with fixed bolt	2 x	134.120 (300 kg)	134.127.02 (400 kg)	/	/
	Triple roller with fixed bolt	2 x	134.130 (400 kg)	/	/	/
	Roller with pivot bolt	2 x	134.210 (150 kg)	134.217.02 (300 kg)	144.210 (400 kg)	/
	Double roller with pivot bolt	2 x	134.240 (300 kg)	134.247.02 (600 kg)	144.240 (800 kg)	254.240 (1800 kg)
	Space-saving roller	2 x	134.250 (300 kg)	134.257.02 (540 kg)	144.250 (800 kg)	254.120.10 (1800 kg)
Stopper	2 x	139.610	139.617	149.610	249.610	
Suspension plates	Suspension plates for timber doors	2 x	137.110	/	147.610	157.610
	Suspension plates for steel doors	2 x	137.610	137.617	147.610	157.610
	Suspension plates for timber doors	2 x	137.320	/	147.320	/

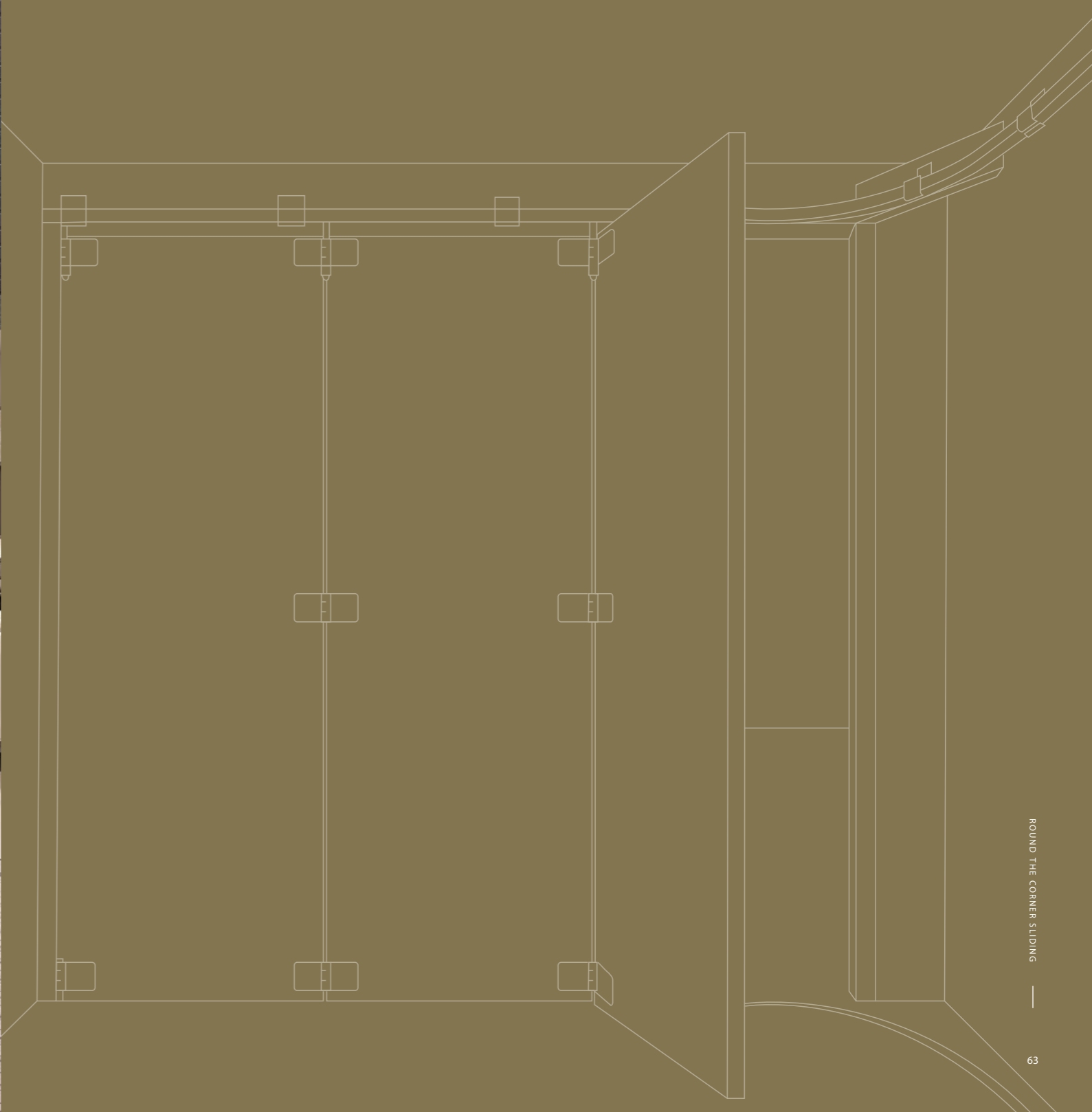
Maximum weight with strongest roller		400kg	600 kg	800 kg	1800 kg
		130.000	130.007	140.000	250.000
Bottom guide track for the door	2 m	130.600.200	130.607.200	140.600.200	150.600.xxx
	3 m	130.600.300	130.607.300	140.600.300	150.600.xxx
	4 m	130.600.400	130.607.400	140.600.400	150.600.xxx
	5 m	130.600.500	130.607.500	140.600.500	150.600.xxx
	6 m	130.600.600	130.607.600	140.600.600	150.600.xxx
	7 m	130.600.700	130.607.700	140.600.700	150.600.xxx
	Bottom guide conductor block		139.315	139.315	149.315
Guiding	2 m	130.400.200	130.407.200	140.400.200	150.400.xxx
	3 m	130.400.300	130.407.300	140.400.300	150.400.xxx
	4 m	130.400.400	130.407.400	140.400.400	150.400.xxx
	5 m	130.400.500	130.407.500	140.400.500	150.400.xxx
	6 m	130.400.600	130.407.600	140.400.600	150.400.xxx
	7 m	130.400.700	130.407.700	140.400.700	150.600.xxx
	Bottom guide track with stone claws				
Guide on screw plate		138.110	/	148.610	158.610
Guide on weld plate		138.610	138.617	/	/
Guiding channel on corner piece		138.410	138.417	148.410	/
Guiding channel on lead screw		138.710	/	148.710	158.710
Handle		139.828	139.828	139.828	139.828
Fall protection		139720 (deurdikte 60-120 mm)	139720 (deurdikte 60-120 mm)	139720 (deurdikte 60-120 mm)	259720 (deurdikte 65-140 mm)
		/	/	/	259730 (deurdikte 135-215 mm)



02

ROUND THE CORNER SLIDING

Our round the corner sliding hardware is able to move multi-panel doors around any corner. Each panel can weight up to 275 kg. The first panel acts as a service door and is used to slide the door fully open. The door is suspended from its running profile and is guided at the bottom.





rob
120.000

This steel fitting is suitable for gates up to 55 kg per panel. It has a steel track that can be mounted on the wall as well as under the lintel by means of brackets. The brackets are not only made to hang around the track, but also to support it. So if you want to hang the track on a steel truss, you must use the weld brackets provided for that purpose. The connecting brackets are always used to connect tracks and bends and also at the ends of the tracks, to be bolted or welded depending on the type of door. The hinges are always adjustable in height to allow for mounting and correct adjustment of the door. The rollers have closed, bearing-mounted wheels, so that additional lubrication is practically no longer necessary. All wheels are suitable for absorbing light torsion of the profile. The bottom guide rollers are mounted on hinges and are always made of hardened steel. Intermediate hinges help to connect the panels together to form a solid assembly.

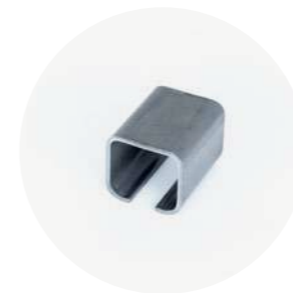


120.000

assemble your set 

Running tracks

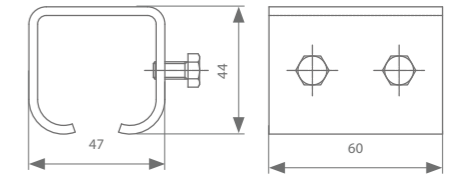
	Max. door weight	Length	Reference
Galvanised running track	55 kg	2000 mm	120.000.200
		3000 mm	120.000.300
		4000 mm	120.000.400
		5000 mm	120.000.500
		6000 mm	120.000.600
		7000 mm	120.000.700



Weld bracket
121.130.1



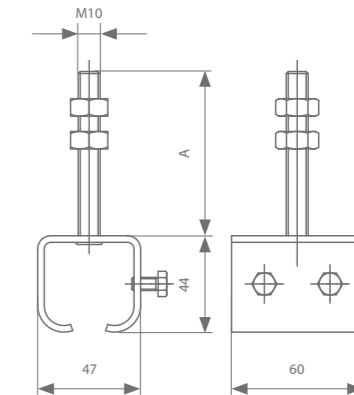
Weld joint bracket
121.290



Bracket on threaded rod
121.310



Connector bracket on threaded rod
121.320



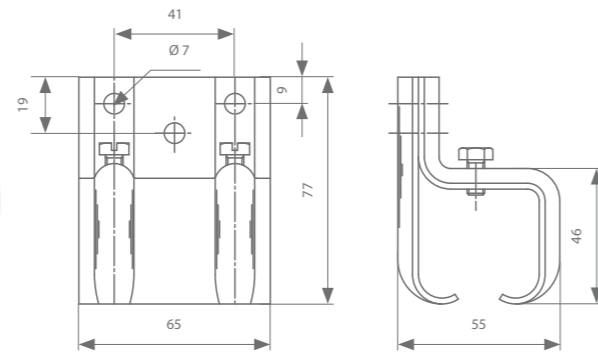
Suspension brackets (required every 500-600 mm)



Wall bracket
121.110



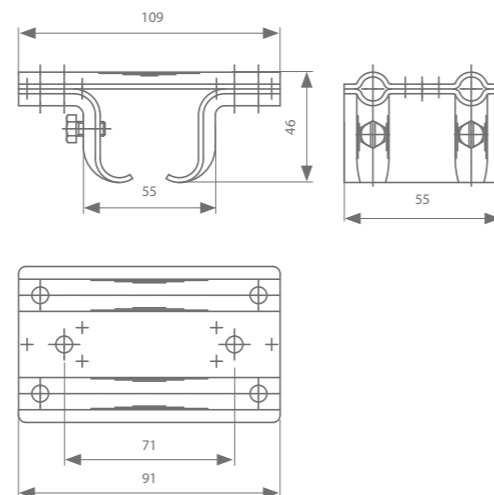
Wall joint bracket
121.120



Ceiling bracket
121.210



Ceiling joint bracket
121.220



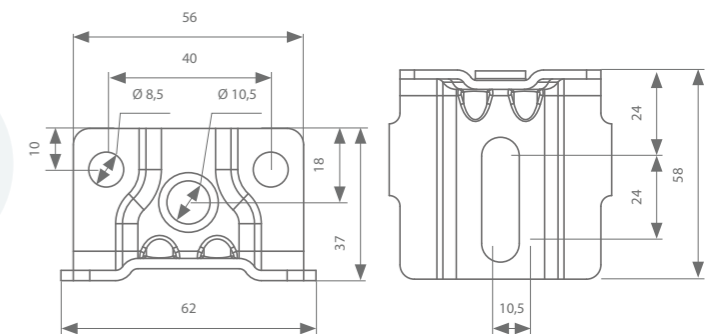
	Reference
Bracket on threaded rod A: 75 mm	121.310
Bracket on threaded rod A: 120 mm	121.310.012
Bracket on threaded rod A: 150 mm	121.310.015
Bracket on threaded rod A: 200 mm	121.310.020

	Reference
Connector bracket on threaded rod A: 75 mm	121.320
Connector bracket on threaded rod A: 120 mm	121.320.012
Connector bracket on threaded rod A: 150 mm	121.320.015
Connector bracket on threaded rod A: 200 mm	121.320.020

When the bracket is attached to a carrying angle, the track can be fitted to the wall



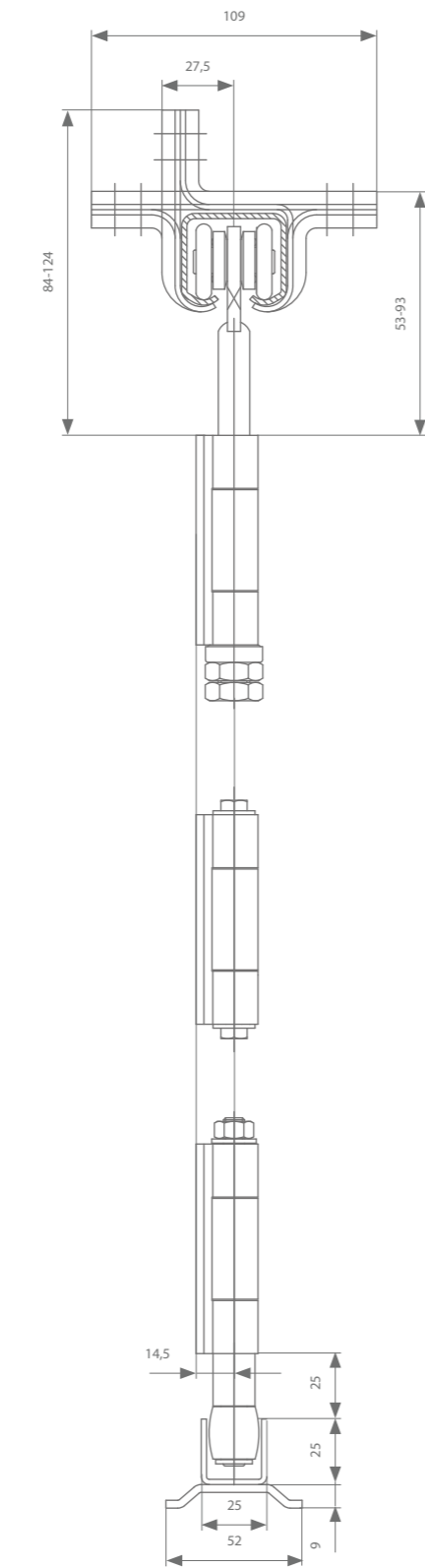
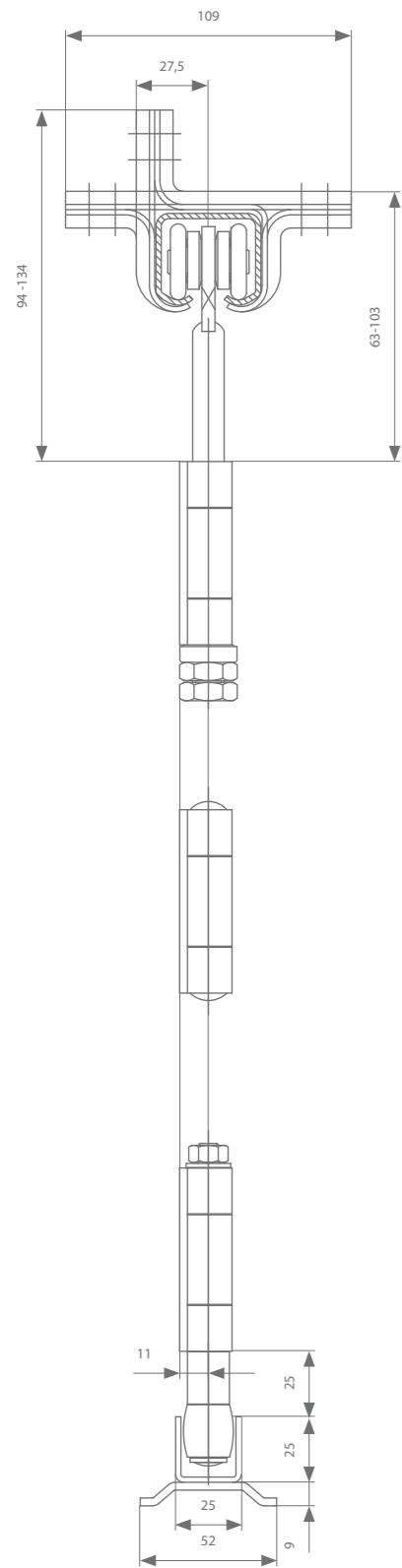
Carrying console
121.910
121.917 (stainless steel)



Roller assemblies



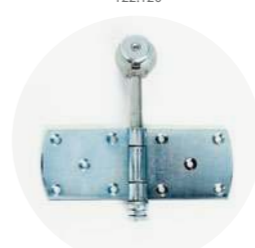



Timber gates

Metal gates

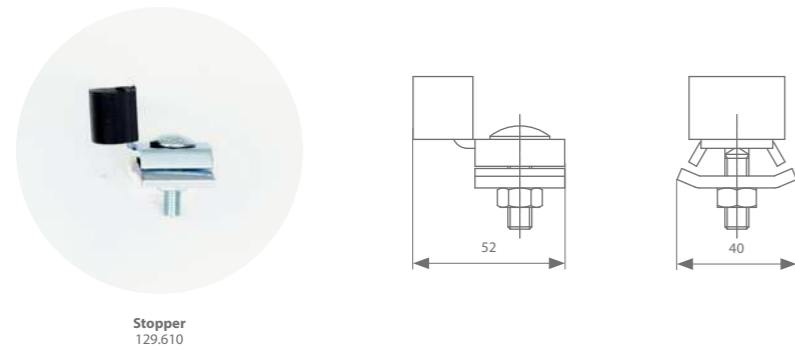


Timber gates

For metal gates

<p>Double roller, single hinge 122.130</p>  <p>75</p>	<p>Single roller, single hinge 122.110</p>  <p>40</p>	<p>Double roller, single hinge 123.130</p>  <p>75</p>	<p>Single roller, single hinge 123.110</p>  <p>40</p>
<p>Excentric double roller single hinge 122.100</p>  <p>75</p>		<p>Excentric double roller single hinge 123.100</p>  <p>75</p>	
<p>Double roller, double hinge 122.140</p>  <p>75</p>	<p>Single roller, double hinge 122.120</p>  <p>40</p>	<p>Double roller, double hinge 123.140</p>  <p>75</p>	<p>Single roller, double hinge 123.120</p>  <p>40</p>
<p>Intermediate hinge 125.110</p> 		<p>Intermediate hinge 125.610</p> 	
<p>Guide, double hinge 126.120</p> 	<p>Guide, single hinge 126.110</p> 	<p>Guide, double hinge 126.620</p> 	<p>Guide, single hinge 126.610</p> 

Stopper



Stopper
129.610

Bottom guide track system

	Length	Reference
Bottom guide track with stone claws (galvanised)	2000 mm	120.400.200
	3000 mm	120.400.300
	4000 mm	120.400.400
	5000 mm	120.400.500
	6000 mm	120.400.600
	7000 mm	120.400.700
Bottom guide track with stone claws (stainless steel)	2000 mm	120.407.200
	3000 mm	120.407.300
	4000 mm	120.407.400
	5000 mm	120.407.500
	6000 mm	120.407.600
	7000 mm	120.407.700
Bottom guide track without stone claws (galvanised)	2000 mm	120.600.200
	3000 mm	120.600.300
	4000 mm	120.600.400
	5000 mm	120.600.500
	6000 mm	120.600.600
	7000 mm	120.600.700
Bottom guide track without stone claws (stainless steel)	2000 mm	120.607.200
	3000 mm	120.607.300
	4000 mm	120.607.400
	5000 mm	120.607.500
	6000 mm	120.607.600
	7000 mm	120.607.700

Bends



A bend is a track that is bent to a quarter circle (90°) with a radius of 50 cm to 120 cm. Each bend has a straight end on both sides to facilitate connection to the straight track.

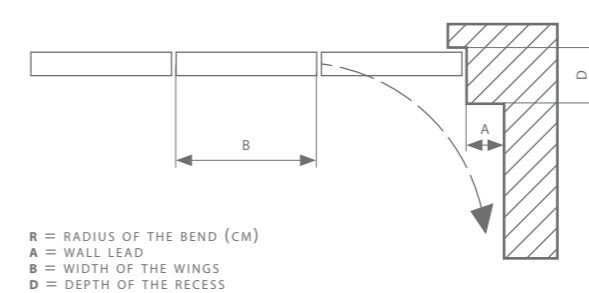
Each bottom bend has a catch piece at both ends. This allows the transition from bend to U-track flawlessly.

The choice of the bend depends on the size A (the wall lead) and the size B (width of the wings). The indications according to the attached table indicate the smallest possible bend. However, the greater the radius of the bend, the smoother the doors run.

For the correct operation of the corner sliding gate it is **absolutely necessary** to have **perfect parallelism** between the top bend and the bottom bend. Never change a bend. We make the custom bend for any circumstance.

The use of a stainless steel bottom bend and track is recommended.

	Straal	Reference
Upper bend (galvanised)	50 cm	120.030
	60 cm	120.040
	70 cm	120.050
	80 cm	120.060
	90 cm	120.070
	100 cm	120.080
Lower bend with stone claws (galvanised)	120 cm	120.090
	50 cm	120.430
	60 cm	120.440
	70 cm	120.450
	80 cm	120.460
	90 cm	120.470
Lower bend with stone claws (stainless steel)	100 cm	120.480
	120 cm	120.490
	50 cm	120.437
	60 cm	120.447
	70 cm	120.457
	80 cm	120.467
Lower bend without stone claws (galvanised)	90 cm	120.477
	100 cm	120.487
	120 cm	120.497
	50 cm	120.630
	60 cm	120.640
	70 cm	120.650
Lower bend without stone claws (stainless steel)	80 cm	120.660
	90 cm	120.670
	100 cm	120.680
	120 cm	120.690
	50 cm	120.637
	60 cm	120.647
Lower bend without stone claws (stainless steel)	70 cm	120.657
	80 cm	120.667
	90 cm	120.677
	100 cm	120.687
	120 cm	120.697



R = RADIUS OF THE BEND (CM)
A = WALL LEAD
B = WIDTH OF THE WINGS
D = DEPTH OF THE RECESS

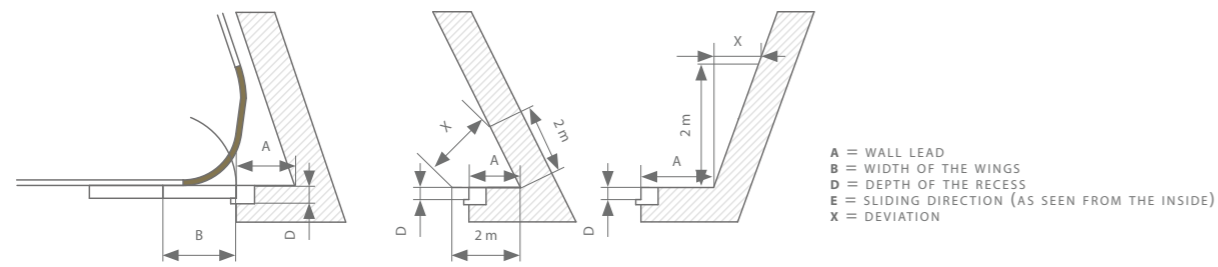
Radius	A max	B max
50	20 cm	65 cm
60	30 cm	80 cm
70	35 cm	90 cm
80	40 cm	105 cm
90	50 cm	120 cm
100	60 cm	135 cm
120	70 cm	150 cm

Max. wall lead(A) is calculated based on a max. recess depth (D) of 10 cm.

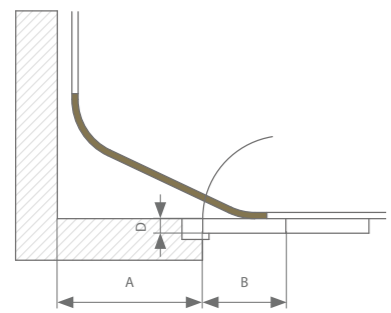
Bends - Technical drawings

Each special bend can be customised, please provide us with the required dimensions for each type.

Corner $\neq 90^\circ$

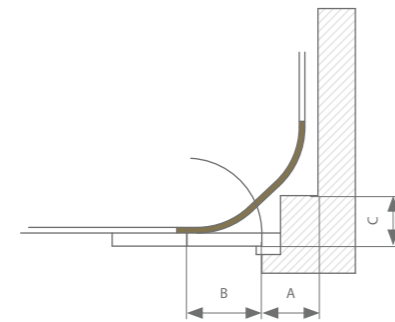


Wall lead > 70 cm



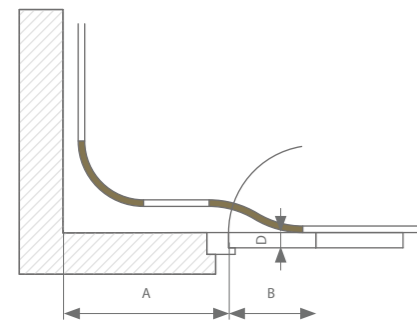
A = WALL LEAD
 B = WIDTH OF THE WINGS
 D = DEPTH OF THE RECESS
 E = SLIDING DIRECTION (AS SEEN FROM THE INSIDE)

Depth of the recess > 10 cm



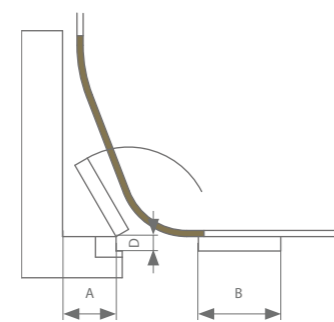
A = WALL LEAD
 B = WIDTH OF THE WINGS
 C = DEPTH OF THE RECESS
 E = SLIDING DIRECTION (AS SEEN FROM THE INSIDE)

Use of ~ bend



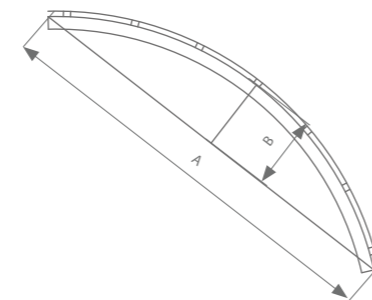
A = WALL LEAD
 B = WIDTH OF THE WINGS
 D = DEPTH OF THE RECESS
 E = SLIDING DIRECTION (AS SEEN FROM THE INSIDE)
 F = DOOR THICKNESS

Service wing fix to the post



A = WALL LEAD
 B = WIDTH OF THE WINGS
 D = DEPTH OF THE RECESS (MAX.10 CM)
 E = SLIDING DIRECTION (AS SEEN FROM THE INSIDE)

Passage in a bended shape



A = CORD
 B = ARROW

Brush strip

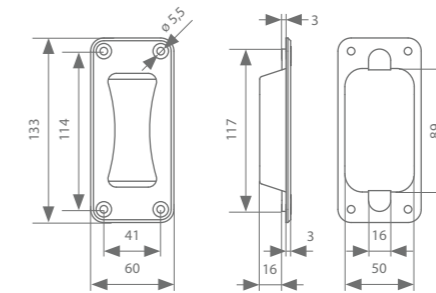


Length	Sweep	Reference
2000 mm		139.830.200
	20 mm	
3000 mm		139.830.300
	20 mm	
3000 mm	20 mm	139.850.300

Handle



Handle
139.828





rob
130.000

This steel fitting is suitable for gates up to 100 kg per panel. It has a steel track that can be mounted on the wall as well as under the lintel by means of brackets. The brackets are not only made to hang around the track, but also to support it. So if you want to hang the track on a steel truss, you must use the weld brackets provided for that purpose. The connecting brackets are always used to connect tracks and bends and also at the ends of the tracks. , to be bolted or welded depending on the type of door. The hinges are always adjustable in height to allow for mounting and correct adjustment of the door. The rollers have closed, bearing-mounted wheels, so that additional lubrication is practically no longer necessary. All wheels are suitable for absorbing light torsion of the profile. The bottom guide rollers are mounted on hinges and are always made of hardened steel. Intermediate hinges help to connect the panels together to form a solid assembly.



130.000

assemble your set 

Running tracks

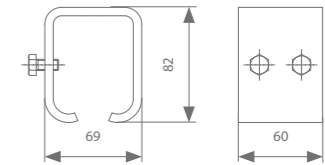
	Max. door weight	Length	Reference
Galvanised running track	100 kg	2000 mm	130.000.200
		3000 mm	130.000.300
		4000 mm	130.000.400
		5000 mm	130.000.500
		6000 mm	130.000.600
		7000 mm	130.000.700



Weld bracket
131.130.1



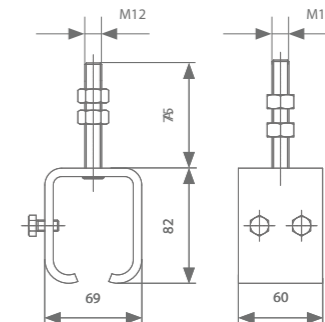
Weld joint bracket
131.290



Bracket on threaded rod
131.310



Connector bracket on threaded rod
131.320



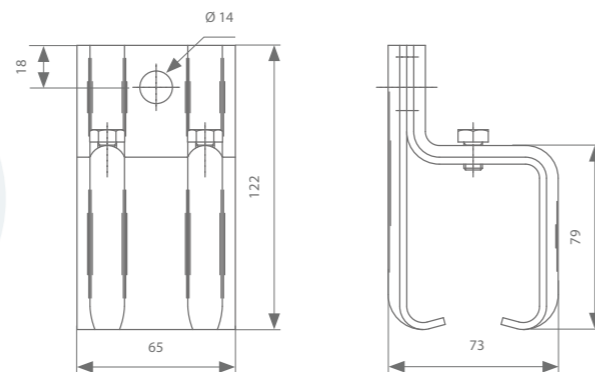
Suspension brackets (required every 500-600 mm)



Wall bracket
131.110



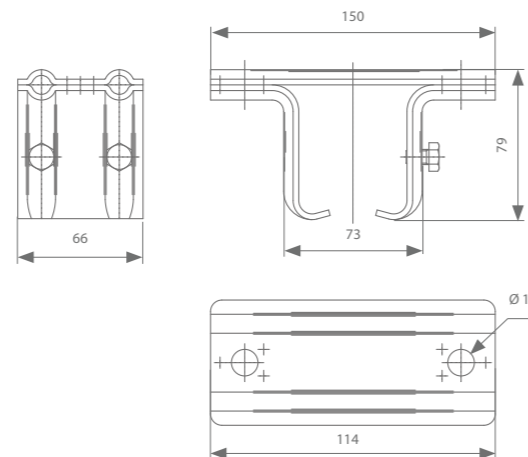
Wall joint bracket
131.120



Ceiling bracket
131.210



Ceiling joint bracket
131.220



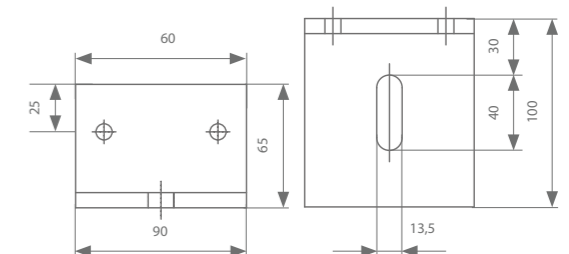
	Reference
Bracket on threaded rod A: 75 mm	131.310
Bracket on threaded rod A: 120 mm	131.310.012
Bracket on threaded rod A: 150 mm	131.310.015
Bracket on threaded rod A: 200 mm	131.310.020

	Reference
Connector bracket on threaded rod A: 75 mm	131.320
Connector bracket on threaded rod A: 120 mm	131.320.012
Connector bracket on threaded rod A: 150 mm	131.320.015
Connector bracket on threaded rod A: 200 mm	131.320.020

The use of bracket on threaded rods and carrying consoles allows for an adjustable wall mount single track.



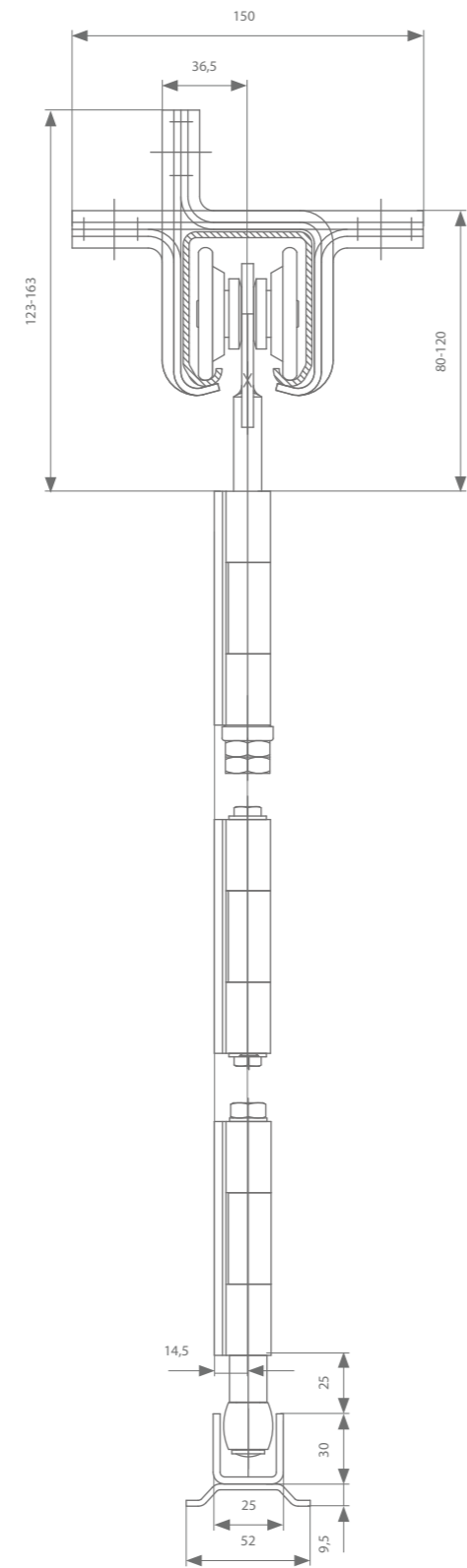
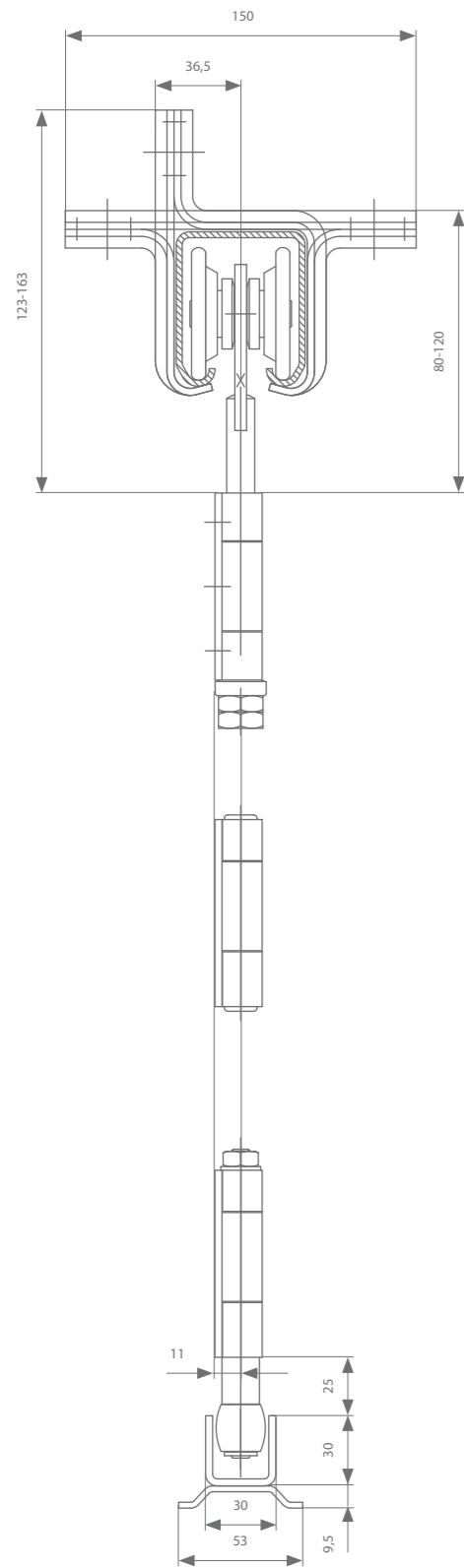
Carrying console
131.910



Roller assemblies

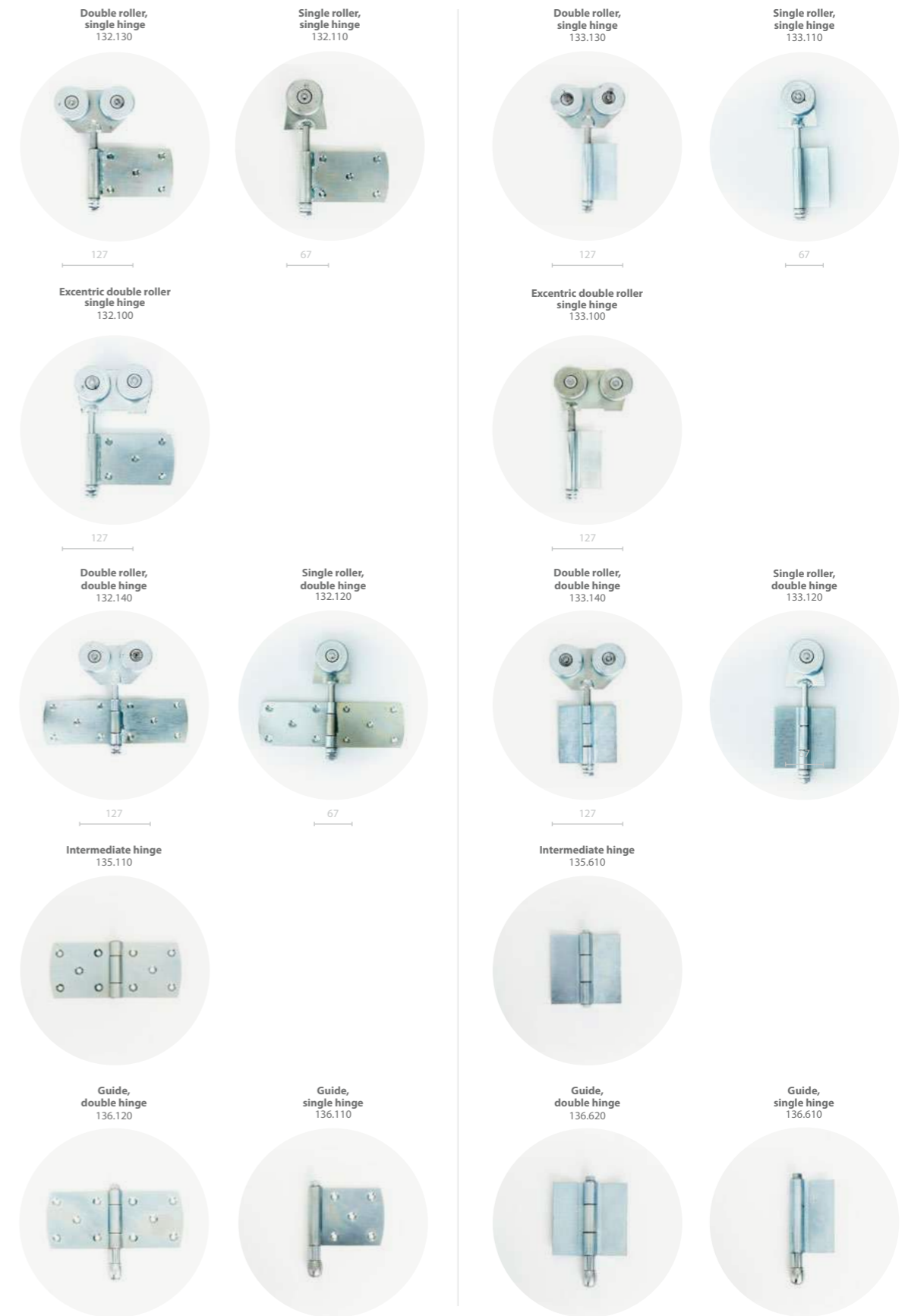
Timber gates

Metal gates



Timber gates

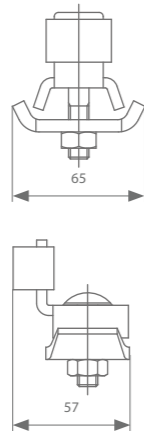
For metal gates



Stopper



Stopper
139.610
139.617 (stainless steel)



Bottom guide track system

	Length	Reference
Bottom guide track with stone claws (galvanised)	2000 mm	130.400.200
	3000 mm	130.400.300
	4000 mm	130.400.400
	5000 mm	130.400.500
	6000 mm	130.400.600
	7000 mm	130.400.700
Bottom guide track with stone claws (stainless steel)	2000 mm	130.407.200
	3000 mm	130.407.300
	4000 mm	130.407.400
	5000 mm	130.407.500
	6000 mm	130.407.600
	7000 mm	130.407.700
Bottom guide track without stone claws (galvanised)	2000 mm	130.600.200
	3000 mm	130.600.300
	4000 mm	130.600.400
	5000 mm	130.600.500
	6000 mm	130.600.600
	7000 mm	130.600.700
Bottom guide track without stone claws (stainless steel)	2000 mm	130.607.200
	3000 mm	130.607.300
	4000 mm	130.607.400
	5000 mm	130.607.500
	6000 mm	130.607.600
	7000 mm	130.607.700

Bends



A bend is a track that is bent to a quarter circle (90°) with a radius of 50 cm to 120 cm. Each bend has a straight end on both sides to facilitate connection to the straight track.

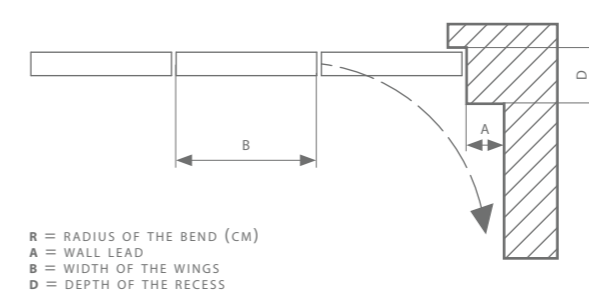
Each bottom bend has a catch piece at both ends. This allows the transition from bend to U-track flawlessly.

The choice of the bend depends on the size A (the wall lead) and the size B (width of the wings). The indications according to the attached table indicate the smallest possible bend. However, the greater the radius of the bend, the smoother the doors run.

For the correct operation of the corner sliding gate it is **absolutely necessary** to have **perfect parallelism** between the top bend and the bottom bend. Never change a bend. We make the custom bend for any circumstance.

The use of a stainless steel bottom bend and track is recommended.

	Straal	Reference
Upper bend (galvanised)	50 cm	130.030
	60 cm	130.040
	70 cm	130.050
	80 cm	130.060
	90 cm	130.070
	100 cm	130.080
Lower bend with stone claws (galvanised)	120 cm	130.090
	50 cm	130.430
	60 cm	130.440
	70 cm	130.450
	80 cm	130.460
	90 cm	130.470
Lower bend with stone claws (stainless steel)	100 cm	130.480
	120 cm	130.490
	50 cm	130.437
	60 cm	130.447
	70 cm	130.457
	80 cm	130.467
Lower bend without stone claws (galvanised)	90 cm	130.477
	100 cm	130.487
	120 cm	130.497
	50 cm	130.630
	60 cm	130.640
	70 cm	130.650
Lower bend without stone claws (stainless steel)	80 cm	130.660
	90 cm	130.670
	100 cm	130.680
	120 cm	130.690
	50 cm	130.637
	60 cm	130.647
Lower bend without stone claws (stainless steel)	70 cm	130.657
	80 cm	130.667
	90 cm	130.677
	100 cm	130.687
	120 cm	130.697



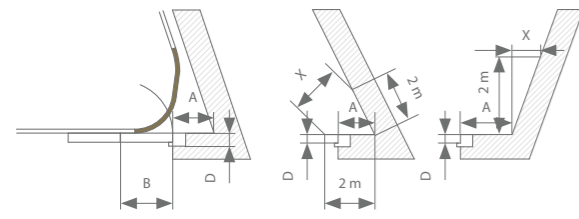
Radius	A max	B max
50	20 cm	65 cm
60	30 cm	80 cm
70	35 cm	90 cm
80	40 cm	105 cm
90	50 cm	120 cm
100	60 cm	135 cm
120	70 cm	150 cm

Max. wall lead (A) is calculated based on a max. recess depth (D) of 10 cm.

Bends - Technical drawings

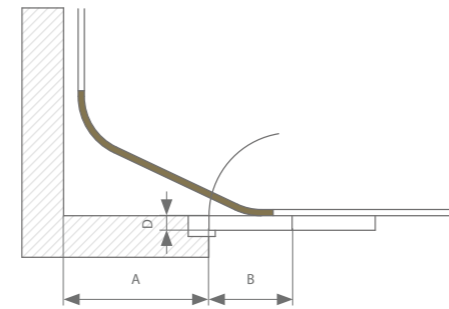
Each special bend can be customised, please provide us with the required dimensions for each type.

Corner $\neq 90^\circ$



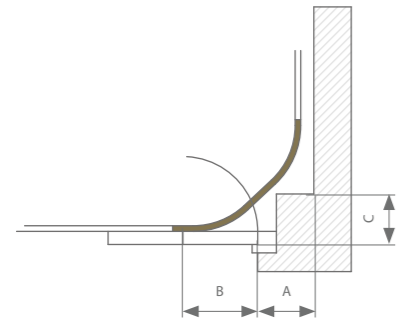
A = WALL LEAD
 B = WIDTH OF THE WINGS
 D = DEPTH OF THE RECESS
 E = SLIDING DIRECTION (AS SEEN FROM THE INSIDE)
 X = DEVIATION

Wall lead > 70 cm



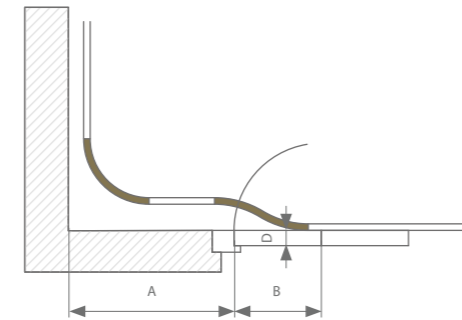
A = WALL LEAD
 B = WIDTH OF THE WINGS
 D = DEPTH OF THE RECESS
 E = SLIDING DIRECTION (AS SEEN FROM THE INSIDE)

Depth of the recess > 10 cm



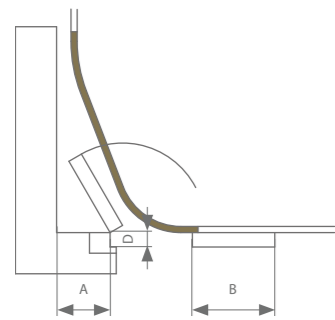
A = WALL LEAD
 B = WIDTH OF THE WINGS
 C = DEPTH OF THE RECESS
 E = SLIDING DIRECTION (AS SEEN FROM THE INSIDE)

Use of ~ bend



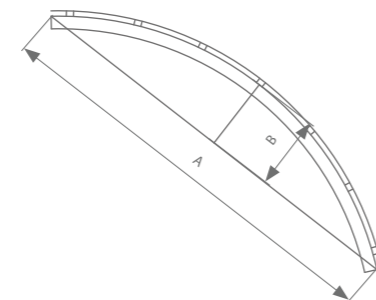
A = WALL LEAD
 B = WIDTH OF THE WINGS
 D = DEPTH OF THE RECESS
 E = SLIDING DIRECTION (AS SEEN FROM THE INSIDE)
 F = DOOR THICKNESS

Service wing fix to the post



A = WALL LEAD
 B = WIDTH OF THE WINGS
 D = DEPTH OF THE RECESS (MAX. 10 CM)
 E = SLIDING DIRECTION (AS SEEN FROM THE INSIDE)

Passage in a bended shape



A = CORD
 B = ARROW

Brush strip

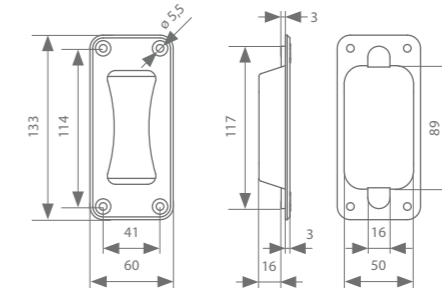


Length	Sweep	Reference
2000 mm	20 mm	139.830.200
3000 mm	20 mm	139.830.300
3000 mm	20 mm	139.850.300

Handle



Handle
139.828





rob
140.000

This steel fitting is suitable for gates up to 275 kg per panel. It has a steel track that can be mounted on the wall as well as under the lintel by means of brackets. The brackets are not only made to hang around the track, but also to support it. So if you want to hang the track on a steel truss, you must use the weld brackets provided for that purpose. The connecting brackets are always used to connect tracks and bends and also at the ends of the tracks, to be bolted or welded depending on the type of door. The hinges are always adjustable in height to allow for mounting and correct adjustment of the door. The rollers have closed, bearing-mounted wheels, so that additional lubrication is practically no longer necessary. All wheels are suitable for absorbing light torsion of the profile. The bottom guide rollers are mounted on hinges and are always made of hardened steel. Intermediate hinges help to connect the panels together to form a solid assembly.

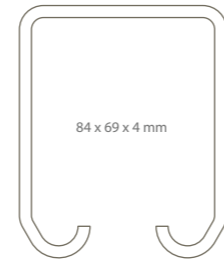


140.000

assemble your set 

Running tracks

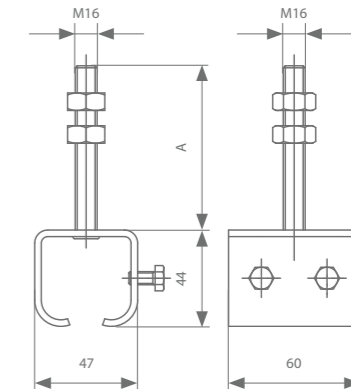
	Max. door weight	Length	Reference
Galvanised running track	275 kg	2000 mm	140.000.200
		3000 mm	140.000.300
		4000 mm	140.000.400
		5000 mm	140.000.500
		6000 mm	140.000.600
		7000 mm	140.000.700



Bracket on threaded rod
141.310



Connector bracket on threaded rod
141.320



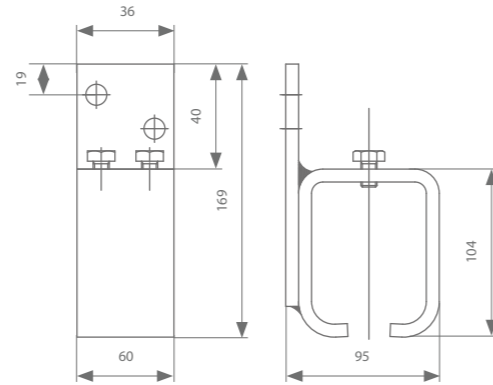
Suspension brackets (required every 500-600 mm)



Wall bracket
141.130



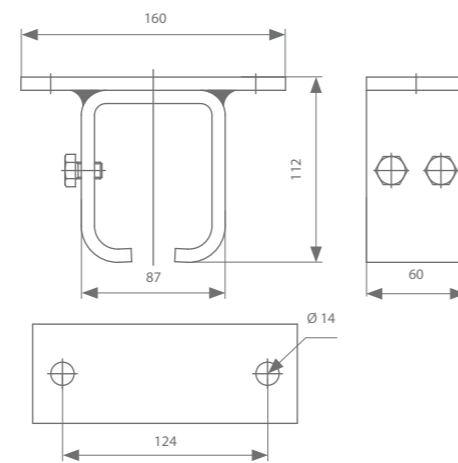
Wall bracket
141.140



Ceiling bracket
141.230



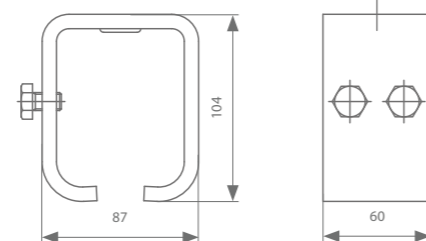
Ceiling joint bracket
141.240



Weld bracket
141.130.1



Weld joint bracket
141.290



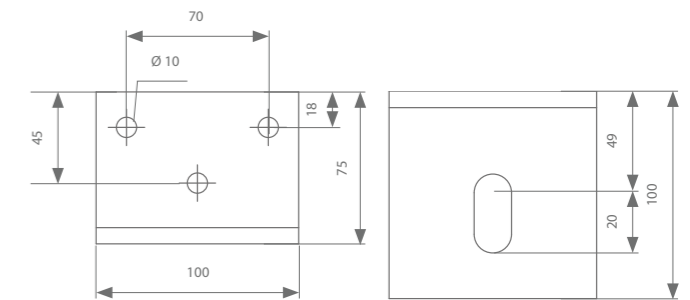
	Reference
Bracket on threaded rod A: 75 mm	141.310
Bracket on threaded rod A: 120 mm	141.310.012
Bracket on threaded rod A: 150 mm	141.310.015
Bracket on threaded rod A: 200 mm	141.310.020

	Reference
Connector bracket on threaded rod A: 75 mm	141.320
Connector bracket on threaded rod A: 120 mm	141.320.012
Connector bracket on threaded rod A: 150 mm	141.320.015
Connector bracket on threaded rod A: 200 mm	141.320.020

The use of bracket on threaded rods and carrying consoles allows for an adjustable wall mount single track



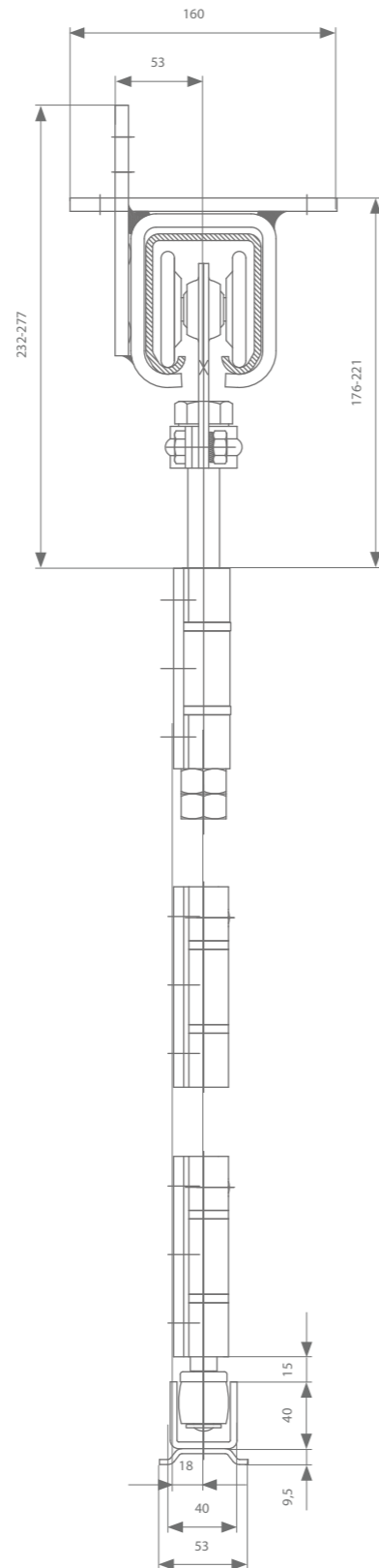
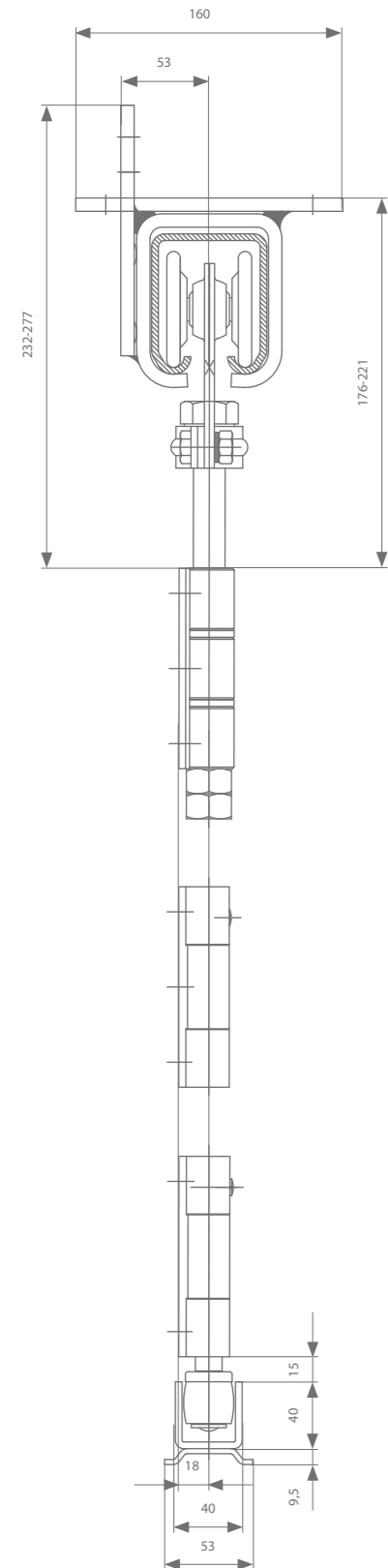
Carrying console
141.910



Roller assemblies

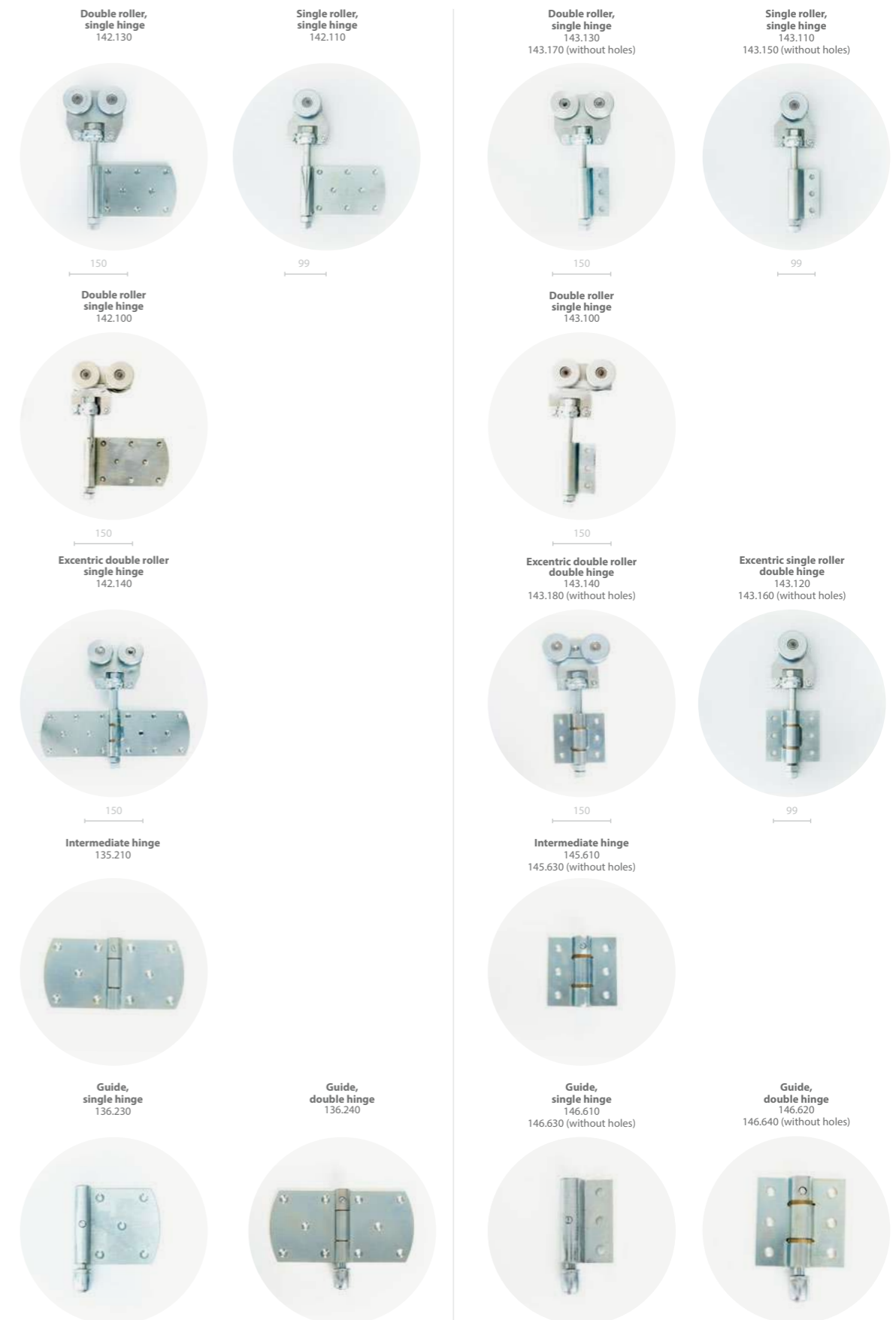
Timber gates

Metal gates



Timber gates

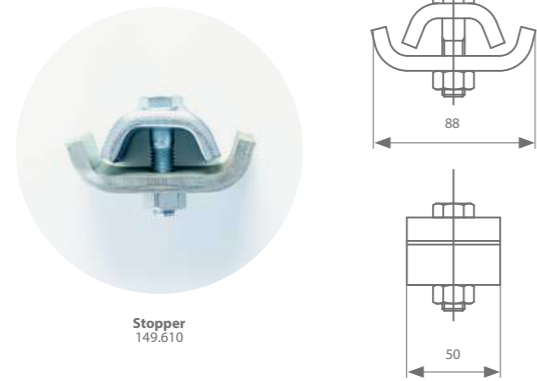
For metal gates



to be combined with 130.40.xxx or 130.60.xxx

to be combined with 140.40.xxx or 140.60.xxx

Stopper



Stopper
149.610

Bottom guide track system

	Length	Reference		Length	Reference
Bottom guide track with stone claws (galvanised)	2000 mm	130.400.200	Bottom guide track with stone claws (galvanised)	2000 mm	140.400.200
	3000 mm	130.400.300		3000 mm	140.400.300
	4000 mm	130.400.400		4000 mm	140.400.400
	5000 mm	130.400.500		5000 mm	140.400.500
	6000 mm	130.400.600		6000 mm	140.400.600
Bottom guide track with stone claws (stainless steel)	7000 mm	130.400.700	Bottom guide track with stone claws (stainless steel)	7000 mm	140.400.700
	2000 mm	130.407.200		2000 mm	140.407.200
	3000 mm	130.407.300		3000 mm	140.407.300
	4000 mm	130.407.400		4000 mm	140.407.400
	5000 mm	130.407.500		5000 mm	140.407.500
Bottom guide track without stone claws (galvanised)	6000 mm	130.407.600	Bottom guide track without stone claws (galvanised)	6000 mm	140.407.600
	7000 mm	130.407.700		7000 mm	140.407.700
	2000 mm	130.600.200		2000 mm	140.600.200
	3000 mm	130.600.300		3000 mm	140.600.300
	4000 mm	130.600.400		4000 mm	140.600.400
Bottom guide track without stone claws (stainless steel)	5000 mm	130.600.500	Bottom guide track without stone claws (stainless steel)	5000 mm	140.600.500
	6000 mm	130.600.600		6000 mm	140.600.600
	7000 mm	130.600.700		7000 mm	140.600.700
	2000 mm	130.607.200		2000 mm	140.607.200
	3000 mm	130.607.300		3000 mm	140.607.300
Bottom guide track without stone claws (stainless steel)	4000 mm	130.607.400	Bottom guide track without stone claws (stainless steel)	4000 mm	140.607.400
	5000 mm	130.607.500		5000 mm	140.607.500
	6000 mm	130.607.600		6000 mm	140.607.600
	7000 mm	130.607.700		7000 mm	140.607.700

Bends

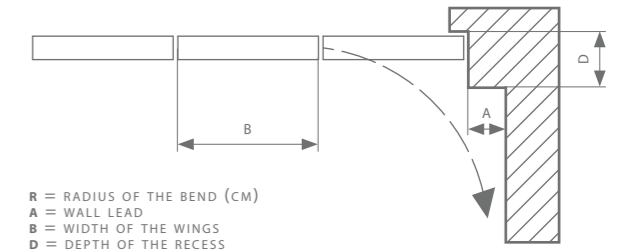
A bend is a track that is bent to a quarter circle (90°) with a radius of 50 cm to 120 cm. Each bend has a straight end on both sides to facilitate connection to the straight track.

Each bottom bend has a catch piece at both ends. This allows the transition from bend to U-track flawlessly.

The choice of the bend depends on the size A (the wall lead) and the size B (width of the wings). The indications according to the attached table indicate the smallest possible bend. However, the greater the radius of the bend, the smoother the doors run.

For the correct operation of the corner sliding gate it is **absolutely necessary** to have **perfect parallelism** between the top bend and the bottom bend. Never change a bend. We make the custom bend for any circumstance.

The use of a stainless steel bottom bend and track is recommended.



R = RADIUS OF THE BEND (CM)
A = WALL LEAD
B = WIDTH OF THE WINGS
D = DEPTH OF THE RECESS

R	A max	B max
50	20 cm	65 cm
60	30 cm	80 cm
70	35 cm	90 cm
80	40 cm	105 cm
90	50 cm	120 cm
100	60 cm	135 cm
120	70 cm	150 cm

Max. wall lead (A) is calculated based on a max. recess depth (D) of 10 cm.

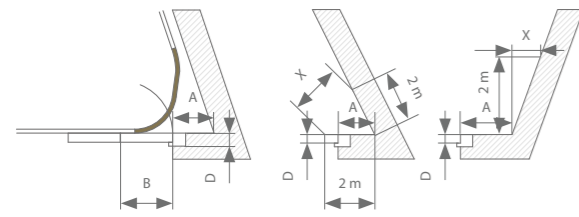
	Radius	Reference
Upper bend (galvanised)	80 cm	140.060
	90 cm	140.070
	100 cm	140.080
Lower bend with stone claws (galvanised)	120 cm	140.090
	80 cm	140.460
	90 cm	140.470
Lower bend with stone claws (stainless steel)	100 cm	140.480
	120 cm	140.490
	80 cm	140.467
Lower bend without stone claws (galvanised)	90 cm	140.477
	100 cm	140.487
	120 cm	140.497
Lower bend without stone claws (stainless steel)	80 cm	140.660
	90 cm	140.670
	100 cm	140.680
Lower bend without stone claws (stainless steel)	120 cm	140.690
	80 cm	140.667
	90 cm	140.677
Lower bend without stone claws (stainless steel)	100 cm	140.687
	120 cm	140.697

	Radius	Reference
Upper bend (galvanised)	50 cm	130.030
	60 cm	130.040
	70 cm	130.050
	80 cm	130.060
	90 cm	130.070
Lower bend with stone claws (galvanised)	100 cm	130.080
	120 cm	130.090
	50 cm	130.430
	60 cm	130.440
	70 cm	130.450
Lower bend with stone claws (stainless steel)	80 cm	130.460
	90 cm	130.470
	100 cm	130.480
	120 cm	130.490
	50 cm	130.437
Lower bend without stone claws (galvanised)	60 cm	130.447
	70 cm	130.457
	80 cm	130.467
	90 cm	130.477
	100 cm	130.487
Lower bend without stone claws (galvanised)	120 cm	130.497
	50 cm	130.630
	60 cm	130.640
	70 cm	130.650
	80 cm	130.660
Lower bend without stone claws (stainless steel)	90 cm	130.670
	100 cm	130.680
	120 cm	130.690
	50 cm	130.637
	60 cm	130.647
Lower bend without stone claws (stainless steel)	70 cm	130.657
	80 cm	130.667
	90 cm	130.677
	100 cm	130.687
	120 cm	130.697

Bends - Technical drawings

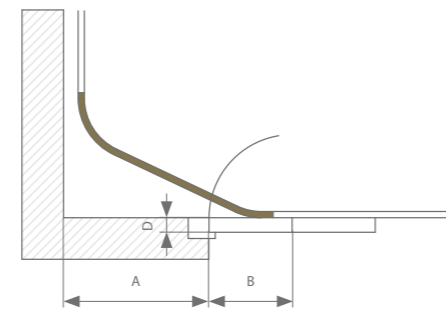
Each special bend can be customised, please provide us with the required dimensions for each type.

Corner $\neq 90^\circ$



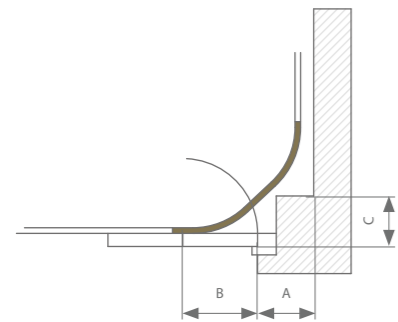
A = WALL LEAD
 B = WIDTH OF THE WINGS
 D = DEPTH OF THE RECESS
 E = SLIDING DIRECTION (AS SEEN FROM THE INSIDE)
 X = DEVIATION

Wall lead > 70 cm



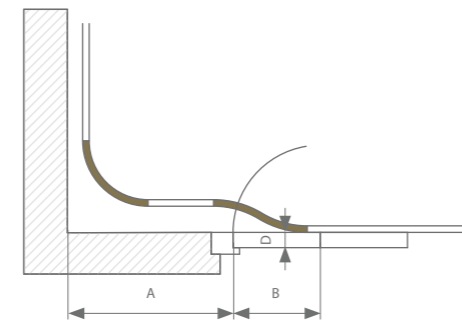
A = WALL LEAD
 B = WIDTH OF THE WINGS
 D = DEPTH OF THE RECESS
 E = SLIDING DIRECTION (AS SEEN FROM THE INSIDE)

Depth of the recess > 10 cm



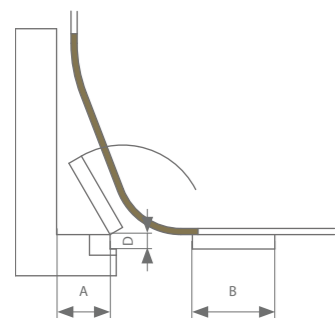
A = WALL LEAD
 B = WIDTH OF THE WINGS
 C = DEPTH OF THE RECESS
 E = SLIDING DIRECTION (AS SEEN FROM THE INSIDE)

Use of ~ bend



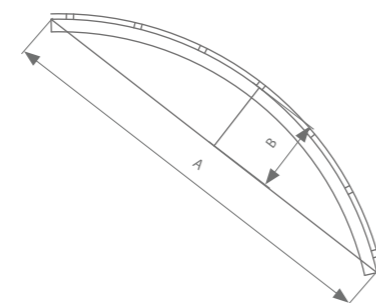
A = WALL LEAD
 B = WIDTH OF THE WINGS
 D = DEPTH OF THE RECESS
 E = SLIDING DIRECTION (AS SEEN FROM THE INSIDE)
 F = DOOR THICKNESS

Service wing fix to the post



A = WALL LEAD
 B = WIDTH OF THE WINGS
 D = DEPTH OF THE RECESS (MAX.10 CM)
 E = SLIDING DIRECTION (AS SEEN FROM THE INSIDE)

Passage in a bended shape



A = CORD
 B = ARROW

Brush strip

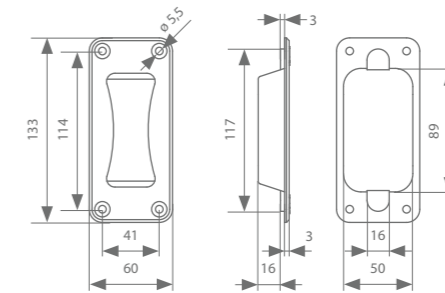


Length	Sweep	Reference
2000 mm		139.830.200
3000 mm	20 mm	139.830.300
3000 mm	20 mm	139.850.300

Handle



Handle
139.828

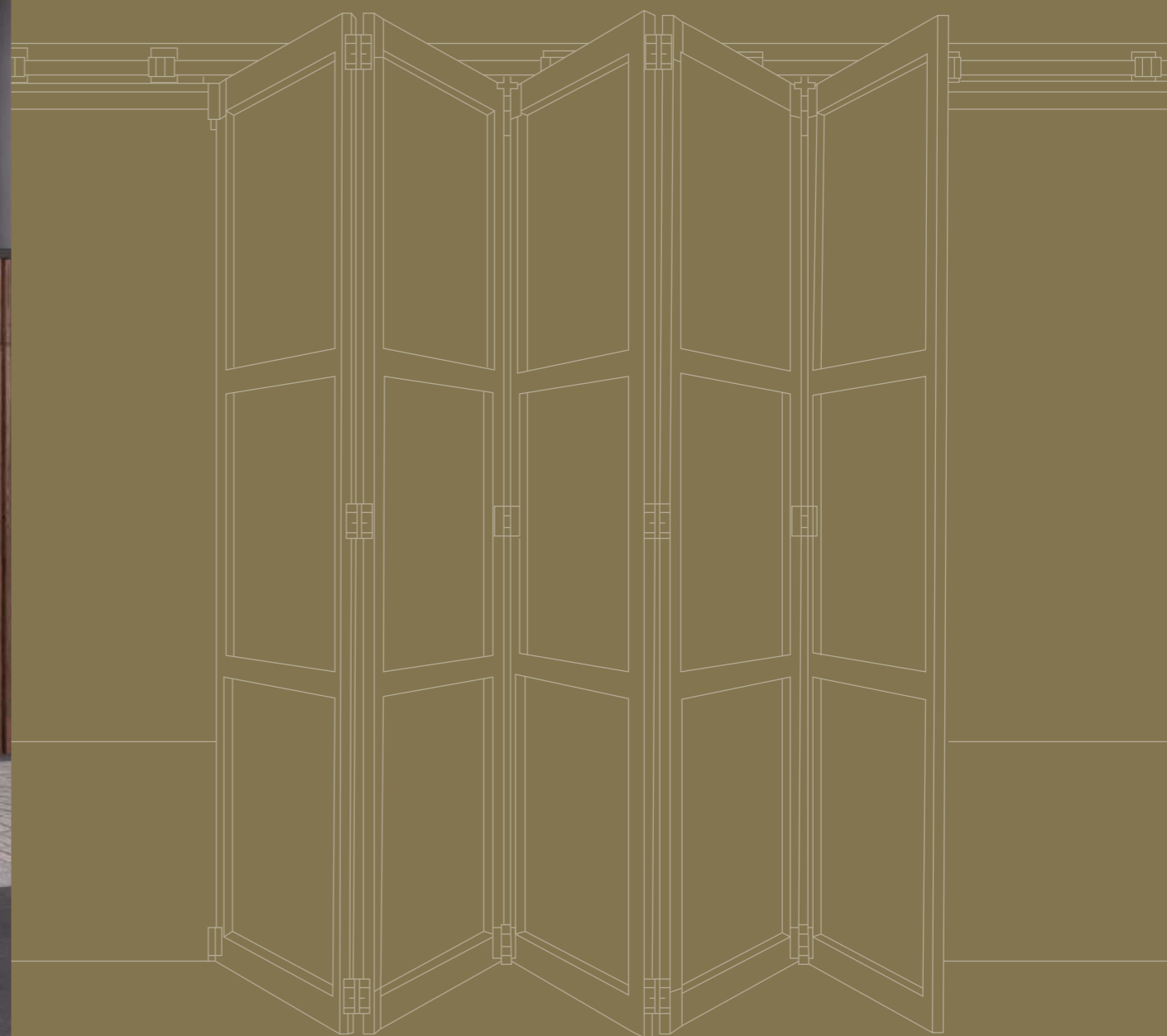




03

CENTRE FOLDING DOORS

With this folding fitting you can divide a gate into several panels that can weigh up to 175 kg per panel. All panels are joined in pairs with intermediate hinges and each pair is suspended at the end with a roller in the upper track and guided at the bottom in a u-track. all panels can be folded together in this way. Ideal for larger spans and without using a lot of space to store the opened panels. A folding door always consists of an odd number of panels and it is recommended to attach the first panel to the door jamb.





rob
120.000

This steel fitting is suitable for gates up to 35 kg. It has a steel profile to attach to the wall or ceiling via brackets. The brackets are made to connect the profile, but also to support the profile. Therefore, if the profile has to be welded, one should always use the weld brackets. The connecting brackets are always needed at each end of the profile or to connect the profiles to each other. Each roll is equipped with hinges for screws, bolts, or welding. These hinges are always height-adjustable in order to simplify the installation. The rollers are equipped with sealed wheels that practically eliminate the need for relubrication. All wheels are suitable for accommodating slight tilts in the profile. The lower channel rollers are equipped with hinges and are always made of hardened steel. Additional hinges help connect the panels to form a sturdy whole.

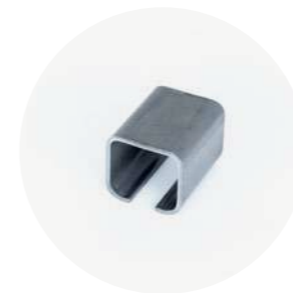


120.000

assemble your set 

Running tracks

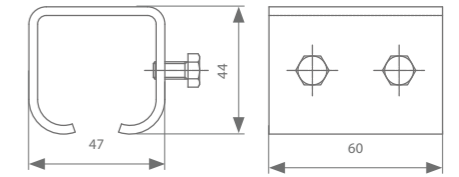
	Max. door weight	Length	Reference
Galvanised running track	35 kg	2000 mm	120.000.200
		3000 mm	120.000.300
		4000 mm	120.000.400
		5000 mm	120.000.500
		6000 mm	120.000.600
		7000 mm	120.000.700



Weld bracket
121.130.1



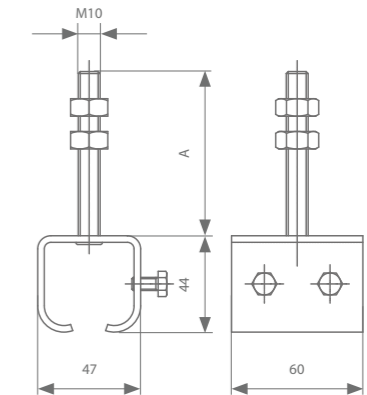
Weld joint bracket
121.290



Bracket on threaded rod
121.310



Connector bracket on threaded rod
121.320



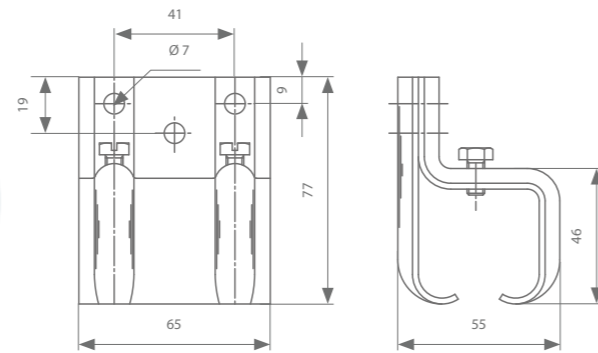
Suspension brackets (required every 500-600 mm)



Wall bracket
121.110



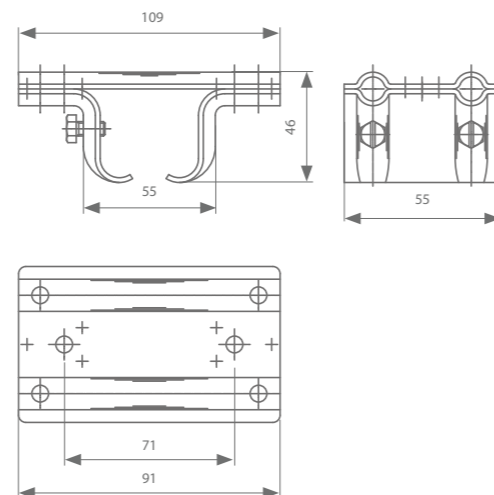
Wall joint bracket
121.120



Ceiling bracket
121.210



Ceiling joint bracket
121.220



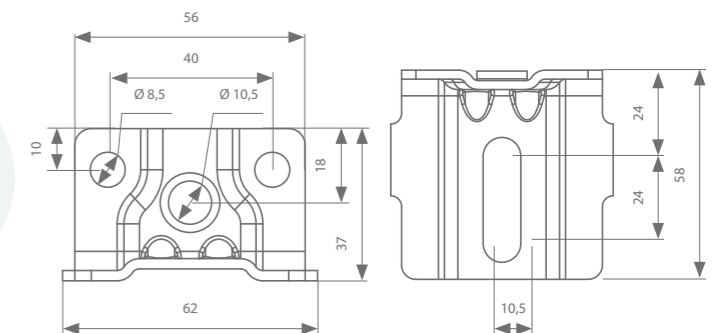
	Reference
Bracket on threaded rod A: 75 mm	121.310
Bracket on threaded rod A: 120 mm	121.310.012
Bracket on threaded rod A: 150 mm	121.310.015
Bracket on threaded rod A: 200 mm	121.310.020

	Reference
Connector bracket on threaded rod A: 75 mm	121.320
Connector bracket on threaded rod A: 120 mm	121.320.012
Connector bracket on threaded rod A: 150 mm	121.320.015
Connector bracket on threaded rod A: 200 mm	121.320.020

The use of bracket on threaded rods and carrying consoles allows for an adjustable wall mount single track



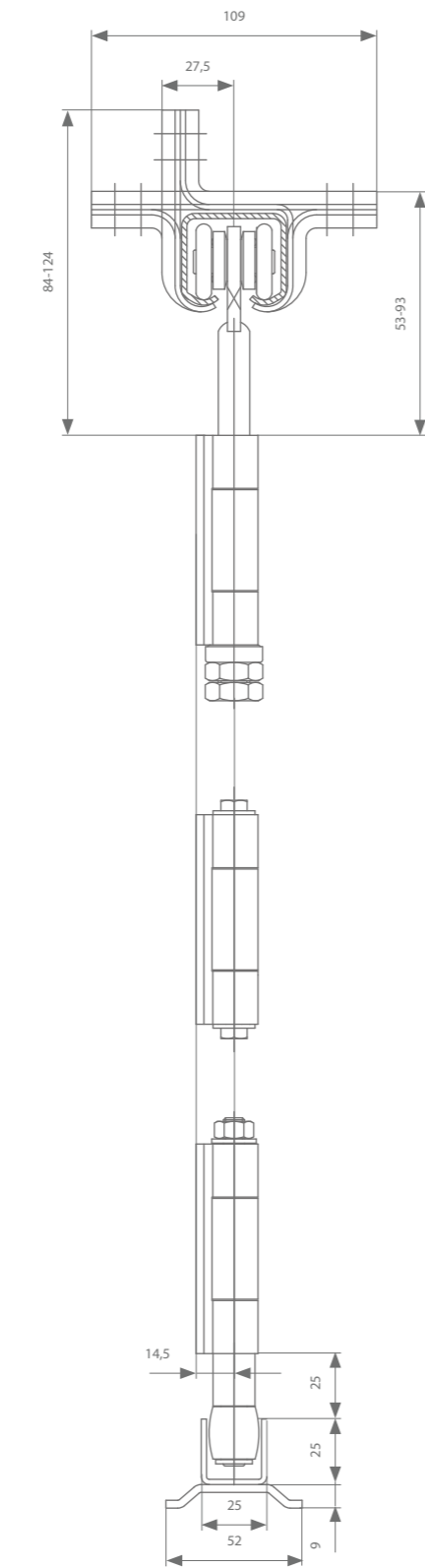
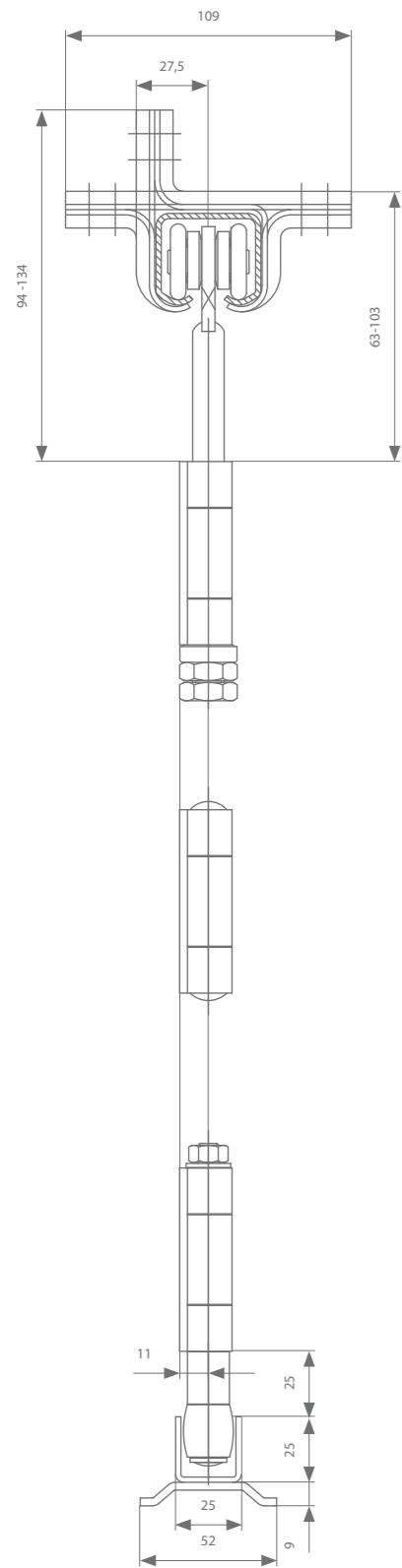
Carrying console
121.910



Roller assemblies


Timber gates

Metal gates



Timber gates

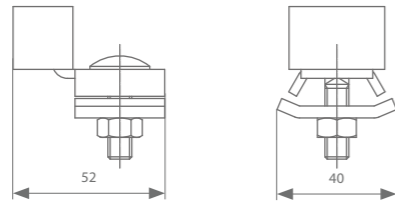
For metal gates

<p>Double roller, single hinge 122.130</p>  <p>75</p>	<p>Single roller, single hinge 122.110</p>  <p>40</p>	<p>Double roller, single hinge 123.130</p>  <p>75</p>	<p>Single roller, single hinge 123.110</p>  <p>40</p>
<p>Excentric double roller single hinge 122.100</p>  <p>75</p>		<p>Excentric double roller single hinge 123.100</p>  <p>75</p>	
<p>Double roller, double hinge 122.140</p>  <p>75</p>	<p>Single roller, double hinge 122.120</p>  <p>40</p>	<p>Double roller, double hinge 123.140</p>  <p>75</p>	<p>Single roller, double hinge 123.120</p>  <p>40</p>
<p>Intermediate hinge 125.110</p> 		<p>Intermediate hinge 125.610</p> 	
<p>Guide, double hinge 126.120</p> 	<p>Guide, single hinge 126.110</p> 	<p>Guide, double hinge 126.620</p> 	<p>Guide, single hinge 126.610</p> 

Stopper



Stopper
129.610



Brush strip



Length	Sweep	Reference
2000 mm	20 mm	139.830.200
3000 mm		139.830.300
3000 mm	20 mm	139.850.300

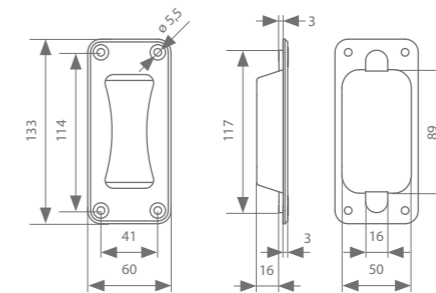
Bottom guide track system

	Length	Reference
Bottom guide track with stone claws (galvanised)	2000 mm	120.400.200
	3000 mm	120.400.300
	4000 mm	120.400.400
	5000 mm	120.400.500
	6000 mm	120.400.600
	7000 mm	120.400.700
Bottom guide track with stone claws (stainless steel)	2000 mm	120.407.200
	3000 mm	120.407.300
	4000 mm	120.407.400
	5000 mm	120.407.500
	6000 mm	120.407.600
	7000 mm	120.407.700
Bottom guide track without stone claws (galvanised)	2000 mm	120.600.200
	3000 mm	120.600.300
	4000 mm	120.600.400
	5000 mm	120.600.500
	6000 mm	120.600.600
	7000 mm	120.600.700
Bottom guide track without stone claws (stainless steel)	2000 mm	120.607.200
	3000 mm	120.607.300
	4000 mm	120.607.400
	5000 mm	120.607.500
	6000 mm	120.607.600
	7000 mm	120.607.700

Handle



Handle
139.828





rob
130.000

This steel fitting is suitable for gates up to 55 kg. It has a steel profile to attach to the wall or ceiling via brackets. The brackets are made to connect the profile, but also to support the profile. Therefore, if the profile has to be welded, one should always use the weld brackets. The connecting brackets are always needed at each end of the profile or to connect the profiles to each other. Each roll is equipped with hinges for screws, bolts, or welding. These hinges are always height-adjustable in order to simplify the installation. The rollers are equipped with sealed wheels that practically eliminate the need for relubrication. All wheels are suitable for accommodating slight tilts in the profile. The lower channel rollers are equipped with hinges and are always made of hardened steel. Additional hinges help connect the panels to form a sturdy whole.



130.000

assemble your set 

Running tracks

	Max. door weight	Length	Reference
Galvanised running track	55 kg	2000 mm	130.000.200
		3000 mm	130.000.300
		4000 mm	130.000.400
		5000 mm	130.000.500
		6000 mm	130.000.600
		7000 mm	130.000.700



Weld bracket
131.130.1



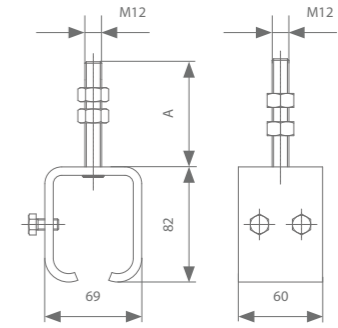
Weld joint bracket
131.290



Bracket on threaded rod
131.310



Connector bracket on threaded rod
131.320



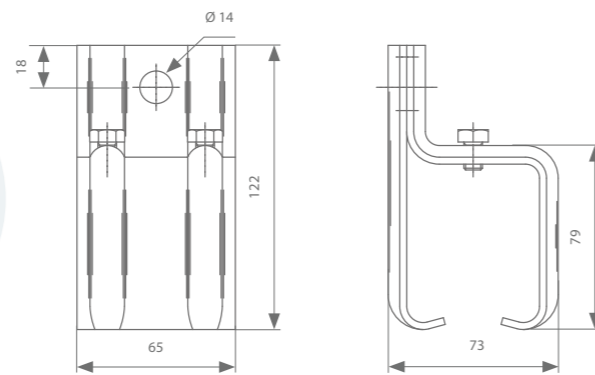
Suspension brackets (required every 500-600 mm)



Wall bracket
131.110



Wall joint bracket
131.120



Joint bracket
131.450

	Reference
Bracket on threaded rod A: 75 mm	131.310
Bracket on threaded rod A: 120 mm	131.310.012
Bracket on threaded rod A: 150 mm	131.310.015
Bracket on threaded rod A: 200 mm	131.310.020

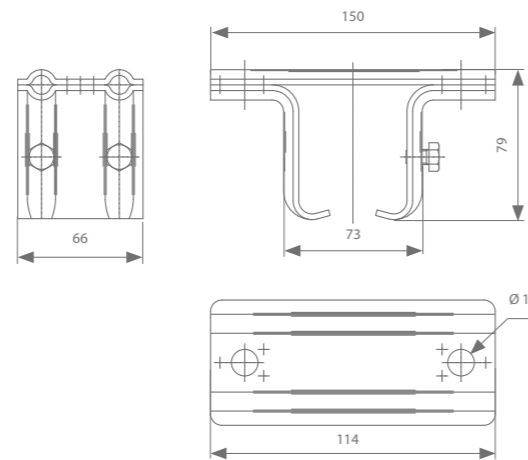
	Reference
Connector bracket on threaded rod A: 75 mm	131.320
Connector bracket on threaded rod A: 120 mm	131.320.012
Connector bracket on threaded rod A: 150 mm	131.320.015
Connector bracket on threaded rod A: 200 mm	131.320.020



Ceiling bracket
131.210



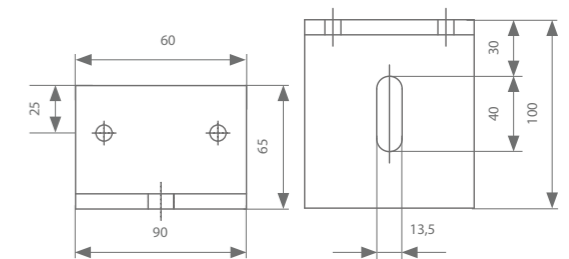
Ceiling joint bracket
131.220



The use of bracket on threaded rods and carrying consoles allows for an adjustable wall mount single track

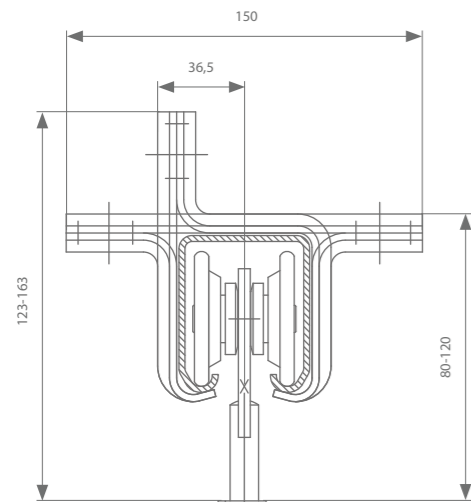


Carrying console
131.910

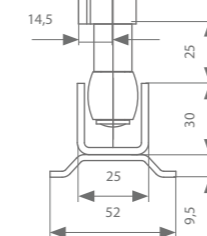
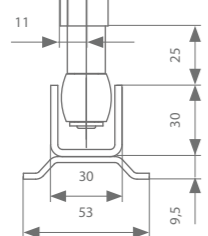
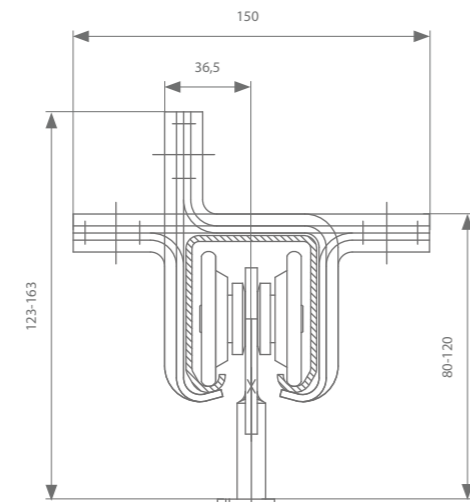


Roller assemblies

Wood








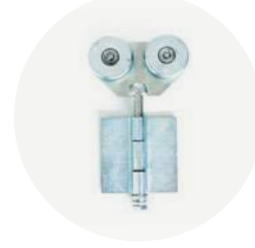









Metal



Timber gates

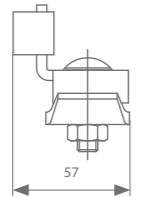
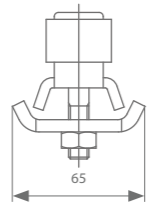
For metal gates

<p>Double roller, single hinge 132.130</p>  <p>127</p>	<p>Single roller, single hinge 132.110</p>  <p>67</p>	<p>Double roller, single hinge 133.130</p>  <p>127</p>	<p>Single roller, single hinge 133.110</p>  <p>67</p>
<p>Excentric double roller single hinge 132.100</p>  <p>127</p>		<p>Excentric double roller single hinge 133.100</p>  <p>127</p>	
<p>Double roller, double hinge 132.140</p>  <p>127</p>	<p>Single roller, double hinge 132.120</p>  <p>67</p>	<p>Double roller, double hinge 133.140</p>  <p>127</p>	<p>Single roller, double hinge 133.120</p>  <p>127</p>
<p>Intermediate hinge 135.110</p> 		<p>Intermediate hinge 135.610</p> 	
<p>Guide, double hinge 136.120</p> 	<p>Guide, single hinge 136.110</p> 	<p>Guide, double hinge 136.620</p> 	<p>Guide, single hinge 136.610</p> 

Stopper



Stopper
139.610
139.617 (stainless steel)



Brush strip



Length	Sweep	Reference
2000 mm	20 mm	139.830.200
3000 mm		139.830.300
3000 mm	20 mm	139.850.300

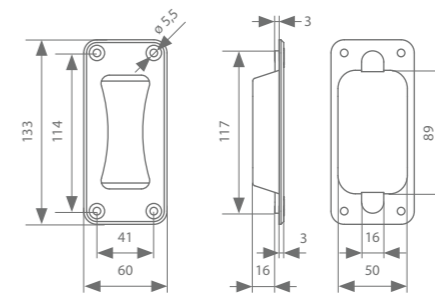
Bottom guide track system

	Length	Reference
Bottom guide track with stone claws (galvanised)	2000 mm	130.400.200
	3000 mm	130.400.300
	4000 mm	130.400.400
	5000 mm	130.400.500
	6000 mm	130.400.600
	7000 mm	130.400.700
Bottom guide track with stone claws (stainless steel)	2000 mm	130.407.200
	3000 mm	130.407.300
	4000 mm	130.407.400
	5000 mm	130.407.500
	6000 mm	130.407.600
	7000 mm	130.407.700
Bottom guide track without stone claws (galvanised)	2000 mm	130.600.200
	3000 mm	130.600.300
	4000 mm	130.600.400
	5000 mm	130.600.500
	6000 mm	130.600.600
	7000 mm	130.600.700
Bottom guide track without stone claws (stainless steel)	2000 mm	130.607.200
	3000 mm	130.607.300
	4000 mm	130.607.400
	5000 mm	130.607.500
	6000 mm	130.607.600
	7000 mm	130.607.700

Handle



Handle
139.828





rob
140.000

This steel fitting is suitable for gates up to 175 kg. It has a steel profile to attach to the wall or ceiling via brackets. The brackets are made to connect the profile, but also to support the profile. Therefore, if the profile has to be welded, one should always use the weld brackets. The connecting brackets are always needed at each end of the profile or to connect the profiles to each other. Each roll is equipped with hinges for screws, bolts, or welding. These hinges are always height-adjustable in order to simplify the installation. The rollers are equipped with sealed wheels that practically eliminate the need for relubrication. All wheels are suitable for accommodating slight tilts in the profile. The lower channel rollers are equipped with hinges and are always made of hardened steel. Additional hinges help connect the panels to form a sturdy whole.

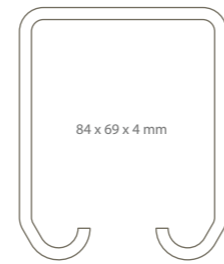


140.000

assemble your set 

Running tracks

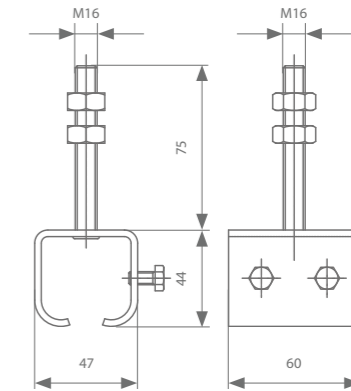
	Max. door weight	Length	Reference
Galvanised running track	175 kg	2000 mm	140.000.200
		3000 mm	140.000.300
		4000 mm	140.000.400
		5000 mm	140.000.500
		6000 mm	140.000.600
		7000 mm	140.000.700



Bracket on threaded rod
141.310



Connector bracket on threaded rod
141.320



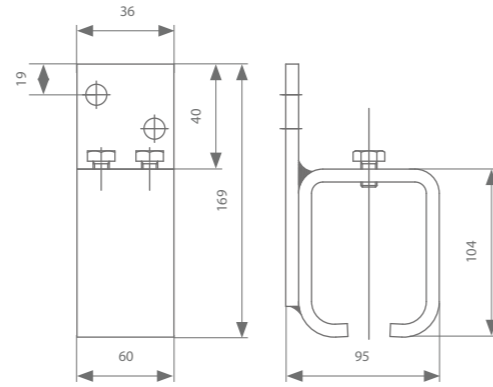
Suspension brackets (required every 500-600 mm)



Wall (joint) bracket
141.130



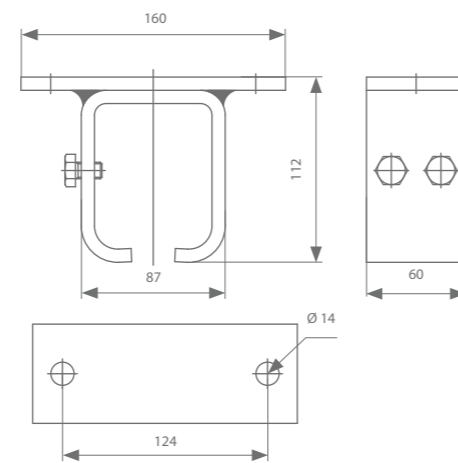
Wall (joint) bracket
141.140



Ceiling bracket
141.230



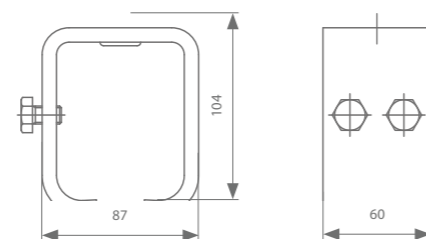
Ceiling joint bracket
141.240



Weld bracket
141.130.1



Weld joint bracket
141.290



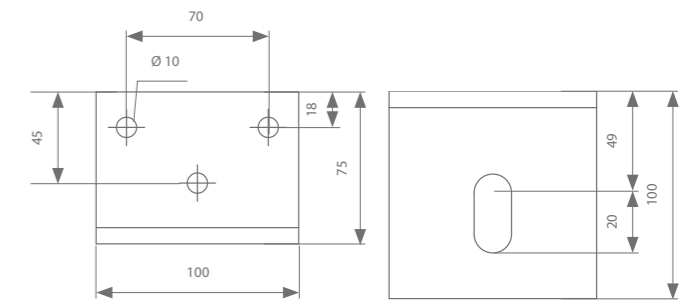
	Reference
Bracket on threaded rod A: 75 mm	141.310
Bracket on threaded rod A: 120 mm	141.310.012
Bracket on threaded rod A: 150 mm	141.310.015
Bracket on threaded rod A: 200 mm	141.310.020

	Reference
Connector bracket on threaded rod A: 75 mm	141.320
Connector bracket on threaded rod A: 120 mm	141.320.012
Connector bracket on threaded rod A: 150 mm	141.320.015
Connector bracket on threaded rod A: 200 mm	141.320.020

The use of bracket on threaded rods and carrying consoles allows for an adjustable wall mount single track

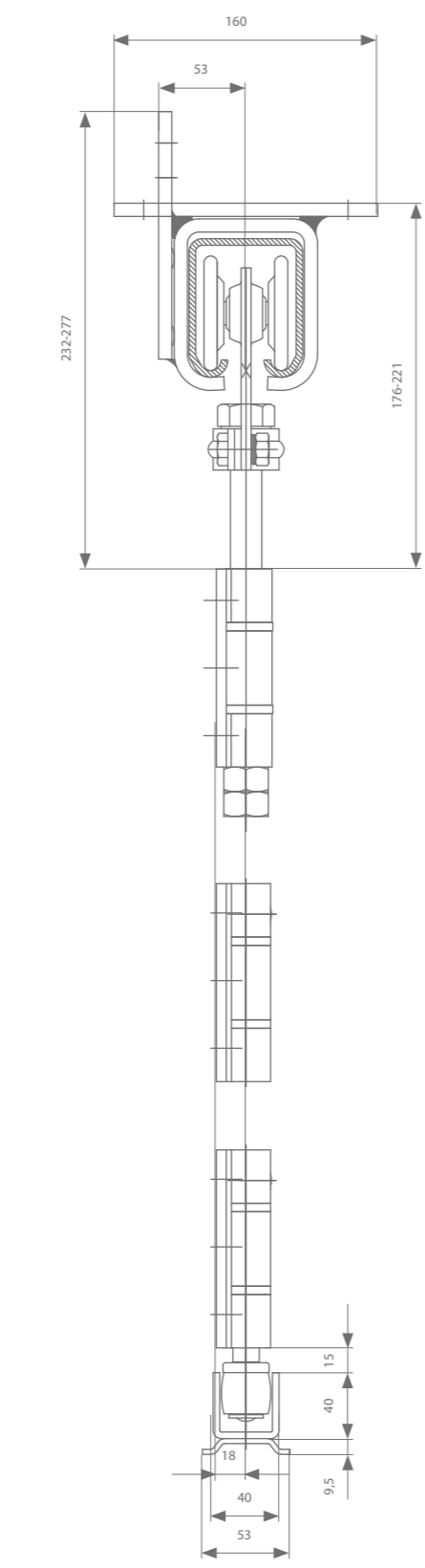
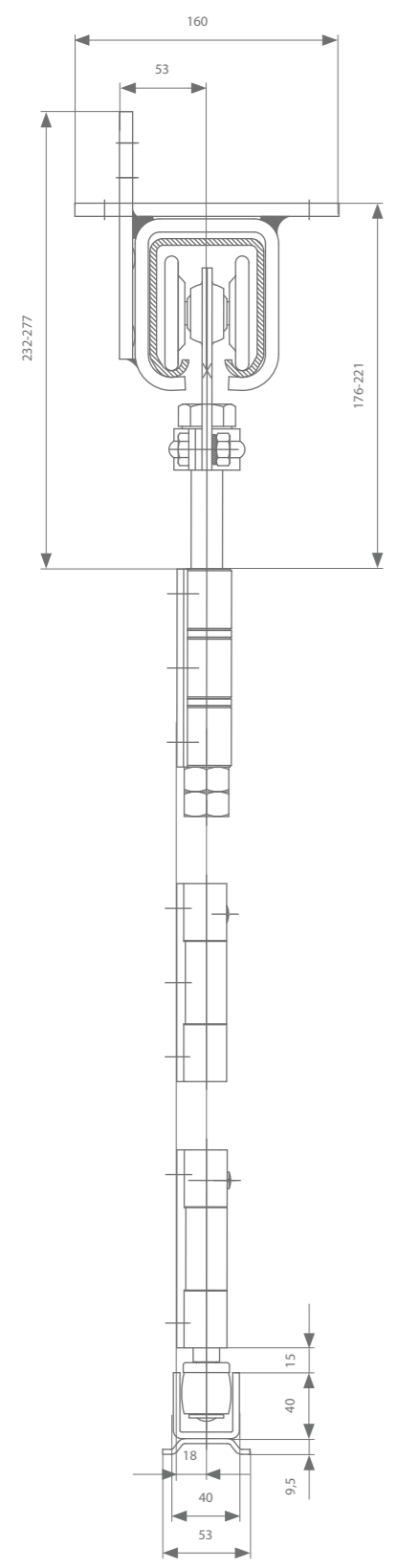


Carrying console
141.910



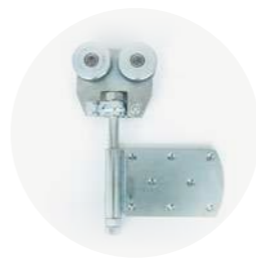



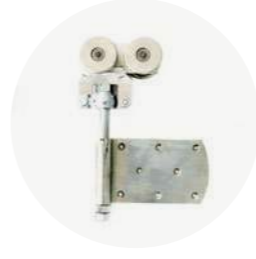
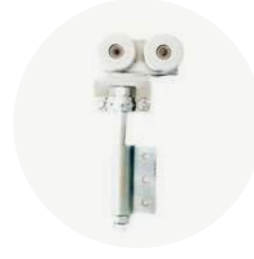
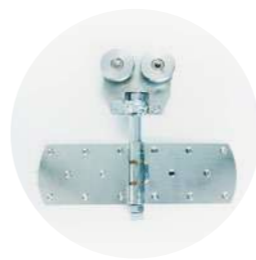
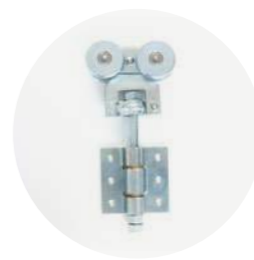







Roller assemblies

Wood Metal



Timber gates

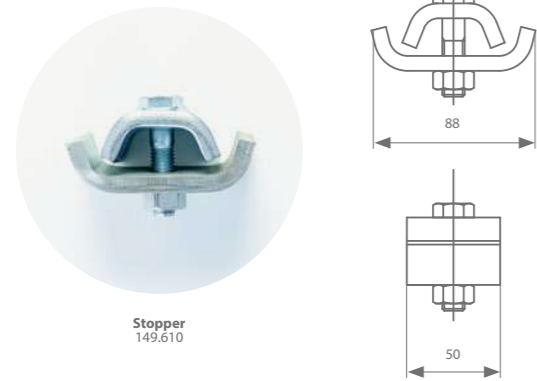
For metal gates

<p>Double roller, single hinge 142.130</p>  <p>150</p>	<p>Single roller, single hinge 142.110</p>  <p>99</p>	<p>Double roller, single hinge 143.130 143.170 (without holes)</p>  <p>150</p>	<p>Single roller, single hinge 143.110 143.150 (without holes)</p>  <p>99</p>
<p>Double roller, single hinge 142.100</p>  <p>150</p>		<p>Double roller, single hinge 143.100</p>  <p>150</p>	
<p>Excentric double roller single hinge 142.140</p>  <p>150</p>		<p>Excentric double roller double hinge 143.140 143.180 (without holes)</p>  <p>150</p>	<p>Excentric single roller double hinge 143.120 143.160 (without holes)</p>  <p>99</p>
<p>Intermediate hinge 135.210</p>  <p>150</p>		<p>Intermediate hinge 145.610 145.630 (without holes)</p>  <p>150</p>	
<p>Guide, single hinge 136.230</p> 	<p>Guide, double hinge 136.240</p> 	<p>Guide, single hinge 146.610 146.630 (without holes)</p> 	<p>Guide, double hinge 146.620 146.640 (without holes)</p> 

to be combined with 130.40.xxx or 130.60.xxx

to be combined with 140.40.xxx or 140.60.xxx

Stopper



Stopper
149.610

Brush strip



Length	Sweep	Reference
2000 mm	20 mm	139.830.200
3000 mm		139.830.300
3000 mm	20 mm	139.850.300

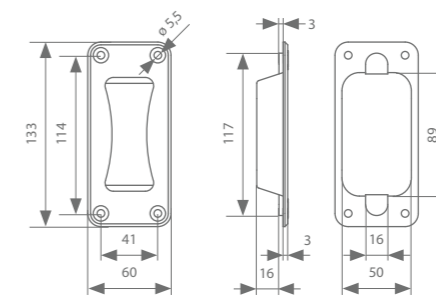
Bottom guide track system

Length	Reference	Length	Reference
Bottom guide track with stone claws (galvanised)	2000 mm	130.400.200	Bottom guide track with stone claws (galvanised)
	3000 mm	130.400.300	
	4000 mm	130.400.400	
	5000 mm	130.400.500	
	6000 mm	130.400.600	
	7000 mm	130.400.700	
Bottom guide track with stone claws (stainless steel)	2000 mm	130.407.200	Bottom guide track with stone claws (stainless steel)
	3000 mm	130.407.300	
	4000 mm	130.407.400	
	5000 mm	130.407.500	
	6000 mm	130.407.600	
	7000 mm	130.407.700	
Bottom guide track without stone claws (galvanised)	2000 mm	130.600.200	Bottom guide track without stone claws (galvanised)
	3000 mm	130.600.300	
	4000 mm	130.600.400	
	5000 mm	130.600.500	
	6000 mm	130.600.600	
	7000 mm	130.600.700	
Bottom guide track without stone claws (stainless steel)	2000 mm	130.607.200	Bottom guide track without stone claws (stainless steel)
	3000 mm	130.607.300	
	4000 mm	130.607.400	
	5000 mm	130.607.500	
	6000 mm	130.607.600	
	7000 mm	130.607.700	

Handle



Handle
139.828

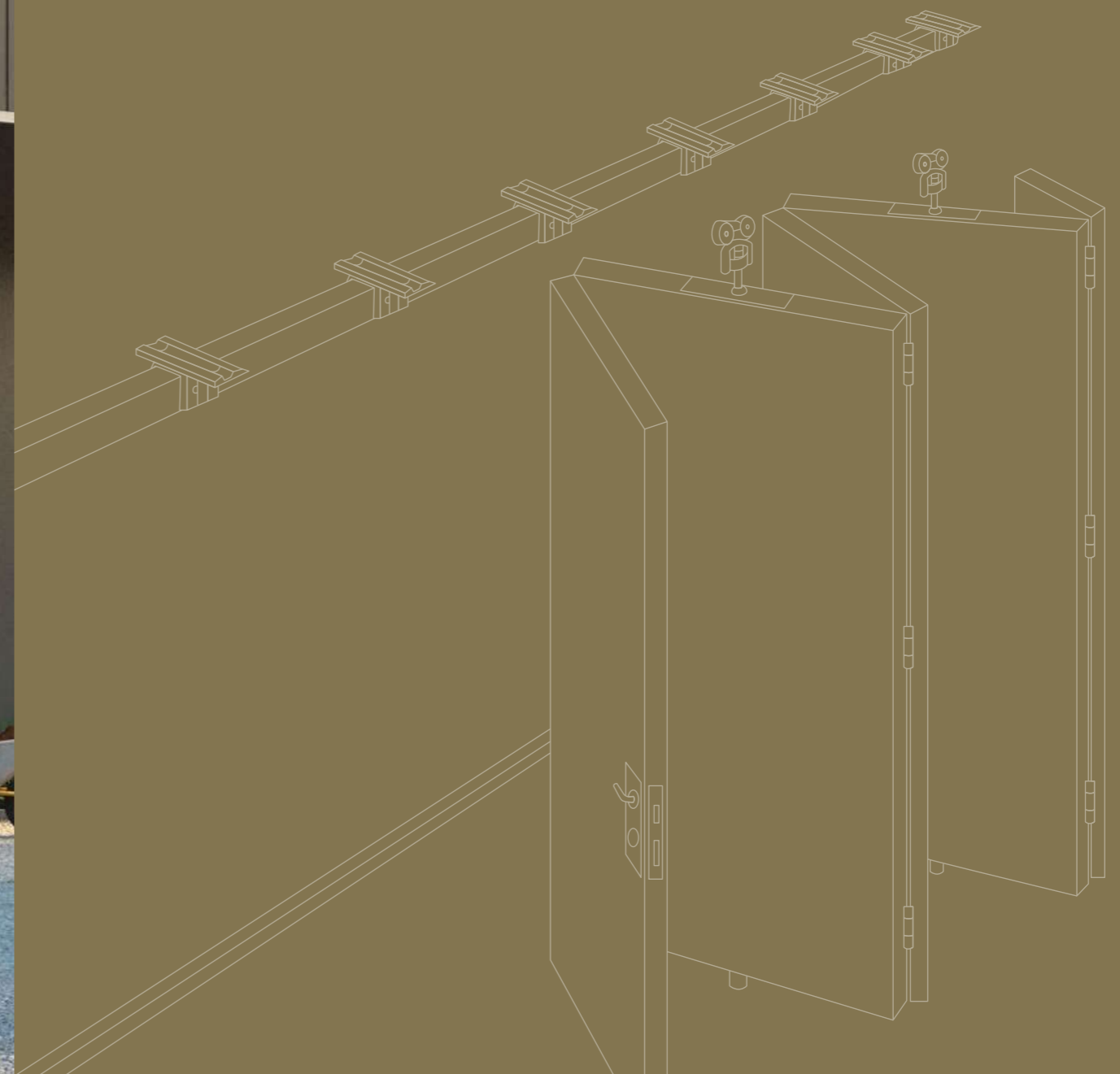




04

CONCERTINA DOORS

With this concertina series, a gate can be divided into several panels that can weigh up to 200 kg each. All panels are connected to each other by means of hinges and suspended centrally under the running track. Naturally, a U-track is also provided as a floor guide. A half size panel is hinged to the jamb. This system allows to collapse all panels and station them on the side in open position. This is the ideal solution for wider gates where there is little space to store the panels.





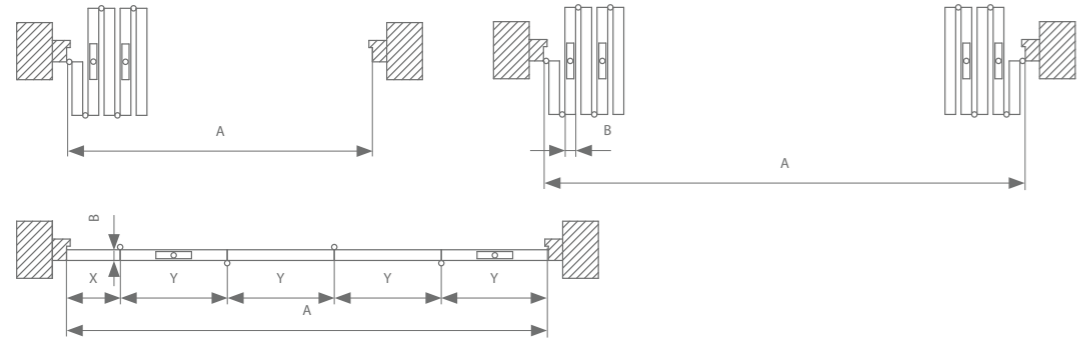
rob
120.000

This steel fitting is suitable for gates up to 35 kg. It has a steel profile to attach to the wall or ceiling via brackets. The brackets are made to connect the profile, but also to support the profile. Therefore, if the profile has to be welded, one should always use the weld brackets. The connecting brackets are always needed at each end of the profile or to connect the profiles to each other. Each roll is equipped with hinges for screws, bolts, or welding. These hinges are always height-adjustable in order to simplify the installation. The rollers are equipped with sealed wheels that practically eliminate the need for relubrication. All wheels are suitable for accommodating slight tilts in the profile. The lower channel rollers are equipped with hinges and are always made of hardened steel. Additional hinges help connect the panels to form a sturdy whole.



120.000

assemble your set 



Legend

A = TOTAL DOOR OPENING (BETWEEN THE JAMBS)
 B = DOOR THICKNESS + Ø HINGE KNUCKLE
 C = NUMBER OF COMPLETE (TILT AND TURN) WINDOWS
 D = NUMBER OF HALF (TILT AND TURN) WINDOWS
 X = WIDTH OF HALF OF THE (TILT AND TURN) WINDOW
 Y = WIDTH OF THE ENTIRE (TILT AND TURN) WINDOW

Example

A = TOTAL DOOR OPENING: 3,5
 B = DOOR THICKNESS: 50 MM
 C = Ø HINGE KNUCKLE: 15 MM
 D = 4 ENTIRE WINDOWS
 = 1 HALF WINDOW

Width of half of the (tilt and turn) window

$$X = \frac{A - (C \times B)}{(2 \times C) + D} = \frac{3500 - (4 \times 65)}{(2 \times 4) + 1} = 360 \text{ mm}$$

Width of the entire (tilt and turn) window

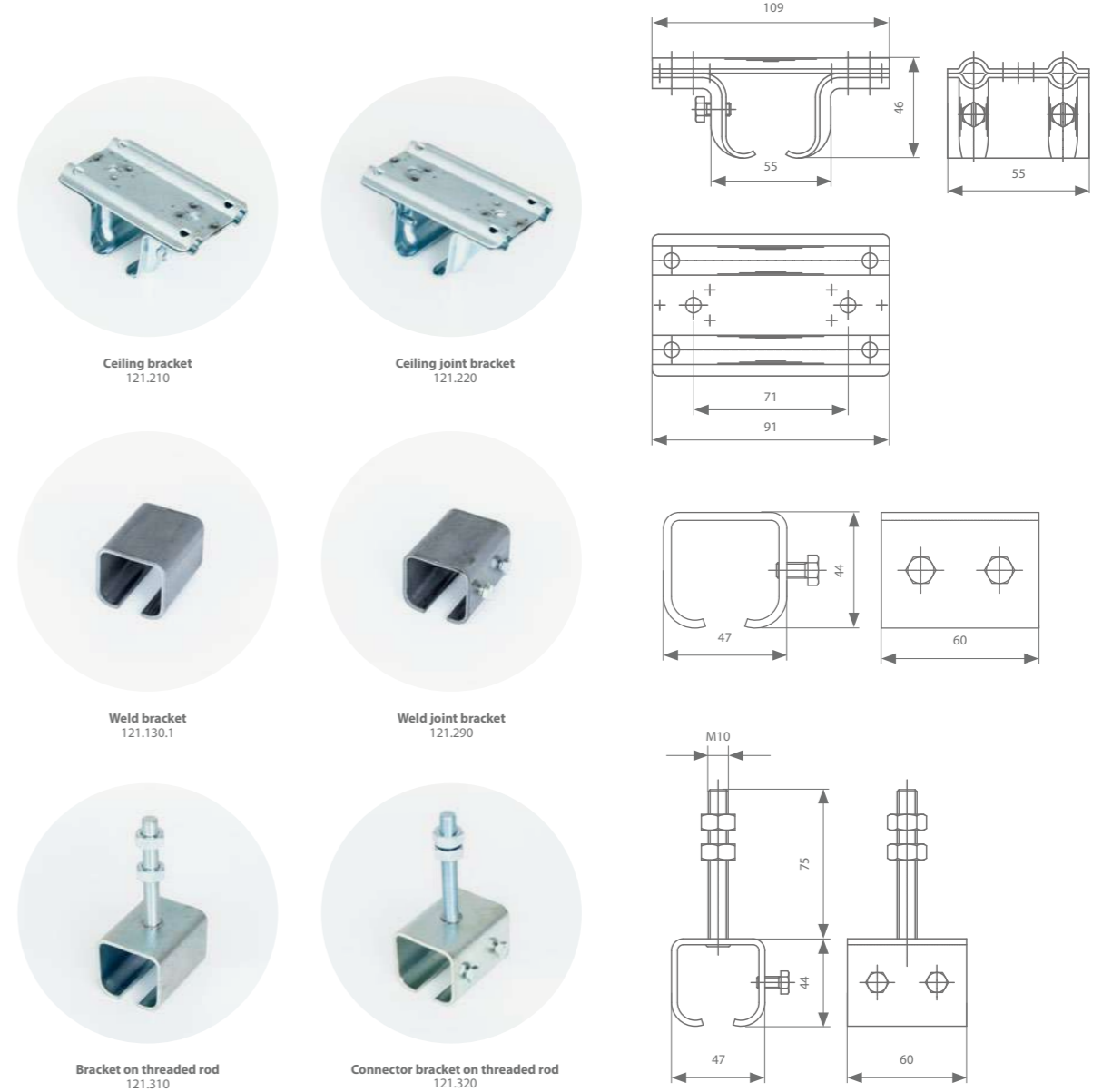
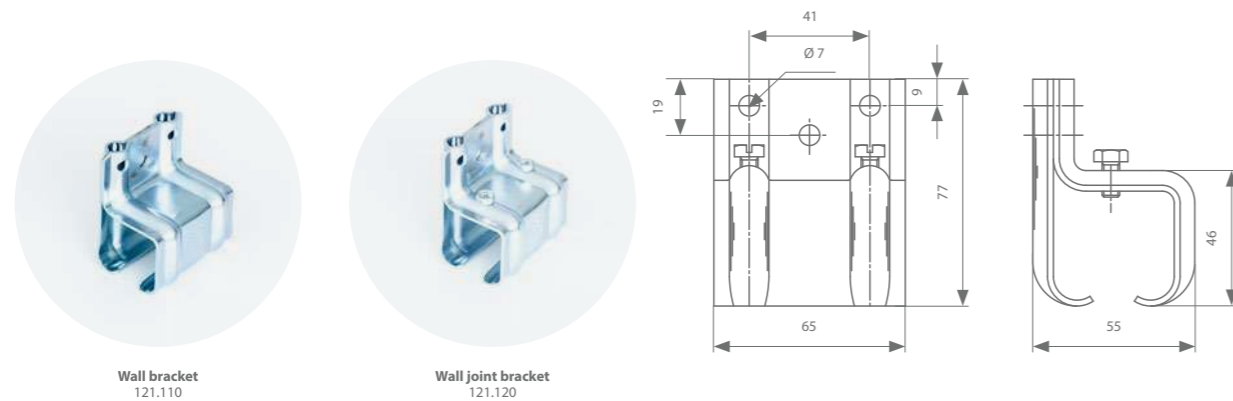
$$Y = (2 \times X) + B = (2 \times 360) + 65 = 785 \text{ mm}$$

Running tracks

	Max. door weight	Length	Reference
Galvanised running track	35 kg	2000 mm	120.000.200
		3000 mm	120.000.300
		4000 mm	120.000.400
		5000 mm	120.000.500
		6000 mm	120.000.600
		7000 mm	120.000.700

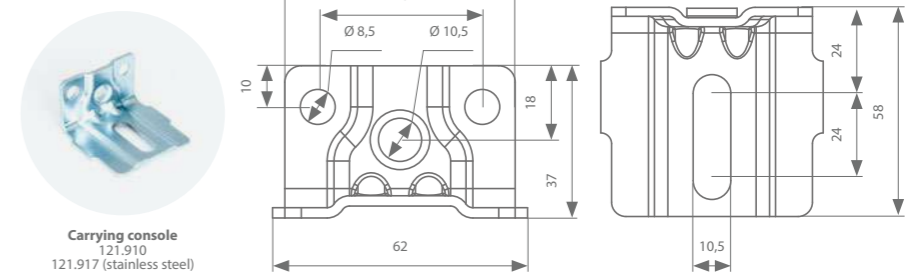


Suspension brackets (required every 500-600 mm)



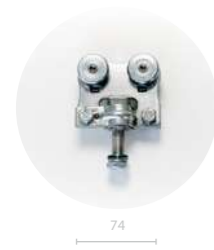
	Reference		Reference
Bracket on threaded rod A: 75 mm	121.310	Connector bracket on threaded rod A: 75 mm	121.320
Bracket on threaded rod A: 120 mm	121.310.012	Connector bracket on threaded rod A: 120 mm	121.320.012
Bracket on threaded rod A: 150 mm	121.310.015	Connector bracket on threaded rod A: 150 mm	121.320.015
Bracket on threaded rod A: 200 mm	121.310.020	Connector bracket on threaded rod A: 200 mm	121.320.020

The use of bracket on threaded rods and carrying consoles allows for an adjustable wall mount single track



Rollers with suspension plates - Option 2

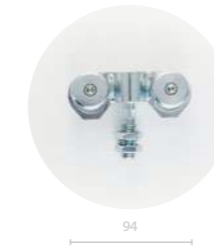
Roller with pivot bolt



	Max. door weight	Reference
Galvanised with steel wheels	35 kg	124.260

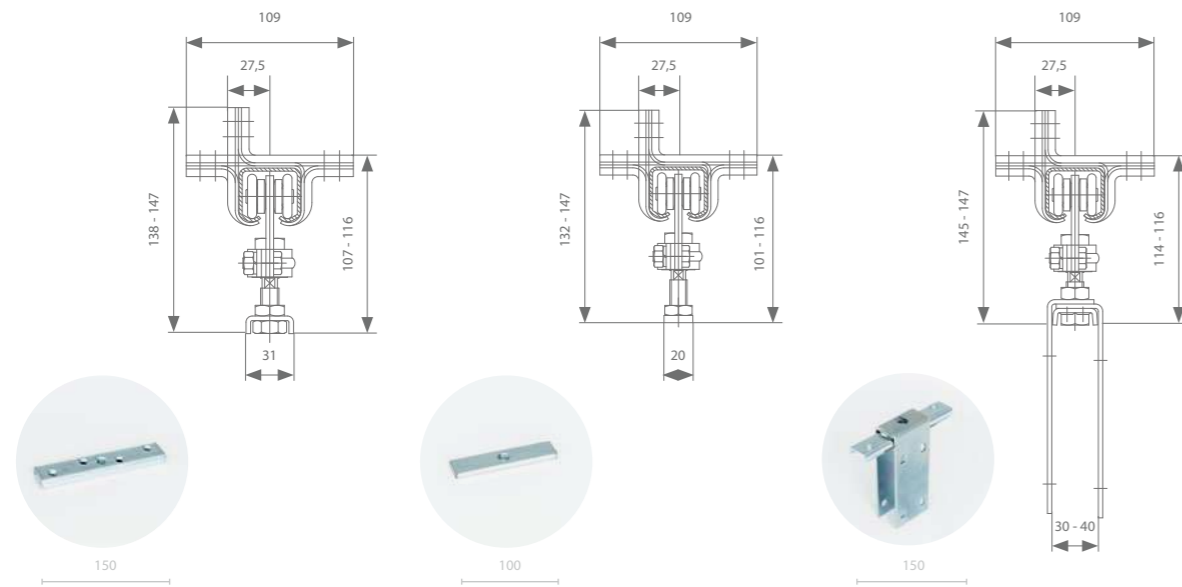
Rollers with suspension plates - Option 3

Space-saving roller



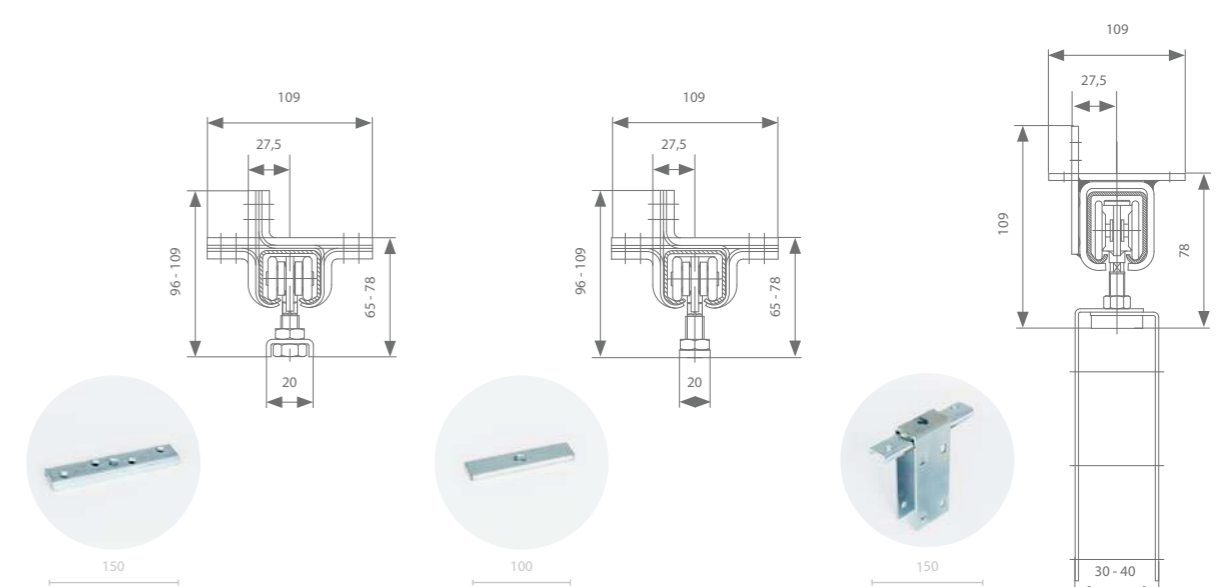
	Max. door weight	Reference
Galvanised with steel wheels	35 kg	124.250

Suspension plate



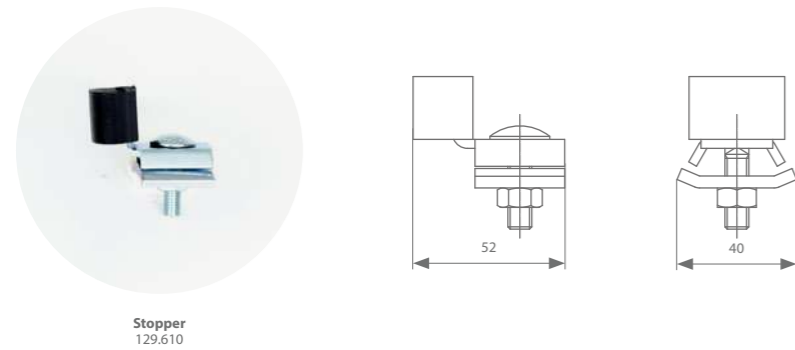
Suspension plate	Reference	Suspension plate	Reference	Encompassing suspension plate	Reference
Galvanised	127.110	Galvanised	127.610	Galvanised	127.320

Suspension plate



Suspension plate	Reference	Suspension plate	Reference	Encompassing suspension plate	Reference
Galvanised	127.110	Galvanised	127.610	Galvanised	127.320

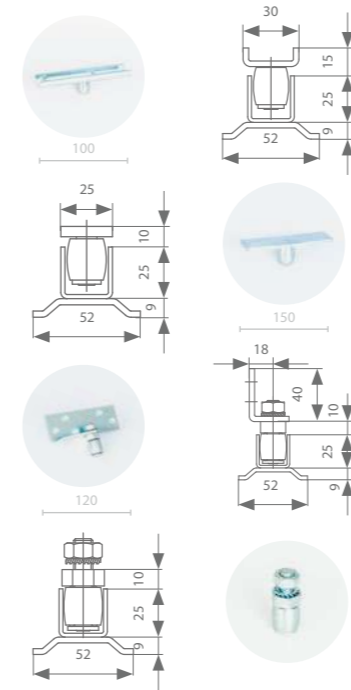
Stopper



Stopper
129.610

Bottom guide track system

	Length	Reference
Bottom guide track with stone claws (galvanised)	2000 mm	120.400.200
	3000 mm	120.400.300
	4000 mm	120.400.400
	5000 mm	120.400.500
	6000 mm	120.400.600
	7000 mm	120.400.700
Bottom guide track with stone claws (stainless steel)	2000 mm	120.407.200
	3000 mm	120.407.300
	4000 mm	120.407.400
	5000 mm	120.407.500
	6000 mm	120.407.600
	7000 mm	120.407.700
Bottom guide track without stone clamps for the bottom (galvanised)	2000 mm	120.600.200
	3000 mm	120.600.300
	4000 mm	120.600.400
	5000 mm	120.600.500
	6000 mm	120.600.600
	7000 mm	120.600.700
Bottom guide track without stone clamps for the bottom (stainless steel)	2000 mm	120.607.200
	3000 mm	120.607.300
	4000 mm	120.607.400
	5000 mm	120.607.500
	6000 mm	120.607.600
	7000 mm	120.607.700



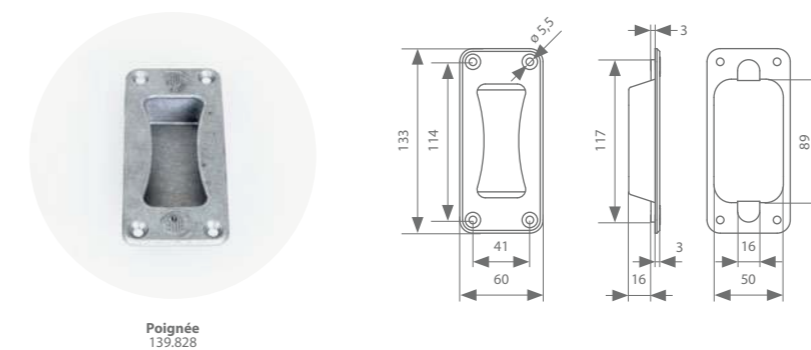
	Material	Reference
Guide on screw plate	galvanised	128.110
Guide on weld plate	galvanised	128.610
	Stainless steel	128.617
Guide on angle plate	galvanised	128.410
	Stainless steel	128.417
Guide wheel on bolt	galvanised	128.710
	Stainless steel	128.717

Brush strip



Length	Sweep	Reference
2000 mm	20 mm	139.830.200
3000 mm		139.830.300
3000 mm	20 mm	139.850.300

Handle



Poignée
139.828



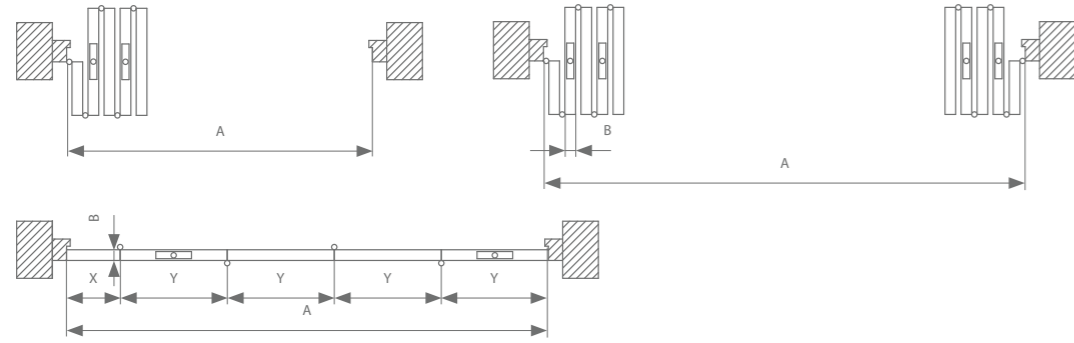
rob
130.000

This steel fitting is suitable for gates up to 75 kg. It has a steel profile to attach to the wall or ceiling via brackets. The brackets are made to connect the profile, but also to support the profile. Therefore, if the profile has to be welded, one should always use the weld brackets. The connecting brackets are always needed at each end of the profile or to connect the profiles to each other. Each roll is equipped with hinges for screws, bolts, or welding. These hinges are always height-adjustable in order to simplify the installation. The rollers are equipped with sealed wheels that practically eliminate the need for relubrication. All wheels are suitable for accommodating slight tilts in the profile. The lower channel rollers are equipped with hinges and are always made of hardened steel. Additional hinges help connect the panels to form a sturdy whole.



130.000

assemble your set 



Legende

A = TOTAL DOOR OPENING (BETWEEN THE JAMBS)
 B = DOOR THICKNESS + Ø HINGE KNUCKLE
 C = NUMBER OF COMPLETE (TILT AND TURN) WINDOWS
 D = NUMBER OF HALF (TILT AND TURN) WINDOWS
 X = WIDTH OF HALF OF THE (TILT AND TURN) WINDOW
 Y = WIDTH OF THE ENTIRE (TILT AND TURN) WINDOW

Example

A = TOTAL DOOR OPENING: 3,5
 B = DOOR THICKNESS: 50 MM
 Ø HINGE KNUCKLE: 15 MM
 C = 4 ENTIRE WINDOWS
 D = 1 HALF WINDOW

Width of half of the (tilt and turn) window

$$X = \frac{A - (C \times B)}{(2 \times C) + D} = \frac{3500 - (4 \times 65)}{(2 \times 4) + 1} = 360 \text{ MM}$$

Width of the entire (tilt and turn) window

$$Y = (2 \times X) + B = (2 \times 360) + 65 = 785 \text{ MM}$$

Running tracks

	Max. door weight	Length	Reference
Galvanised running track	75 kg	2000 mm	130.000.200
		3000 mm	130.000.300
		4000 mm	130.000.400
		5000 mm	130.000.500
		6000 mm	130.000.600
		7000 mm	130.000.700



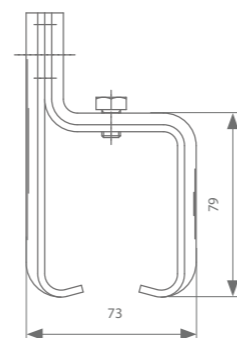
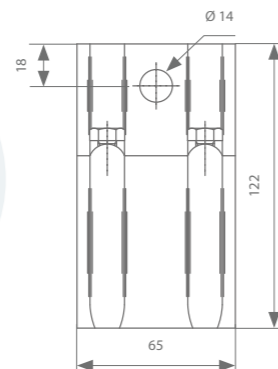
Suspension brackets (required every 500-600 mm)



Wall bracket
131.110
131.117 (stainless steel)



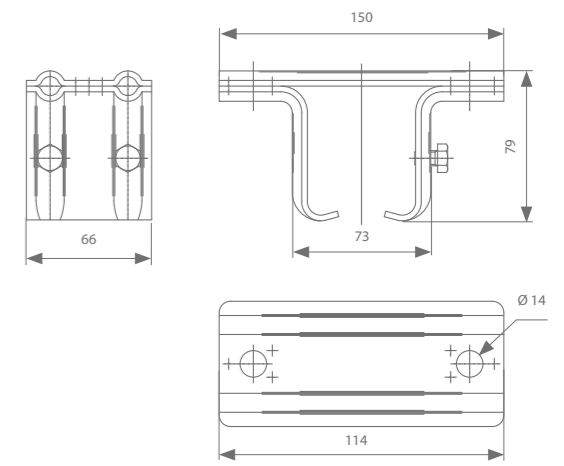
Wall joint bracket
131.120
131.127 (stainless steel)



Ceiling bracket
131.210
131.217 (stainless steel)



Ceiling joint bracket
131.220
131.227 (stainless steel)



Weld bracket
131.130.1
131.137.1 (stainless steel)



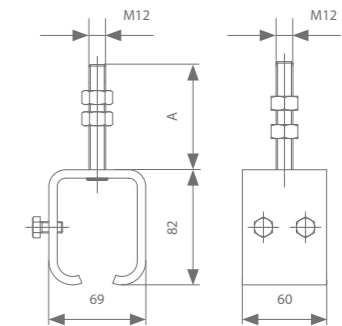
Weld joint bracket
131.290
131.297 (stainless steel)



Bracket on threaded rod
131.310
131.317 (stainless steel)



Connector bracket on threaded rod
131.320
131.327 (stainless steel)



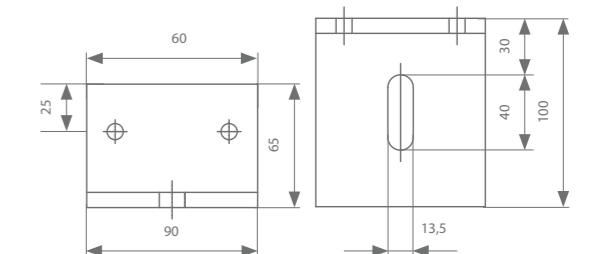
Joint bracket
131.450

	Reference
Bracket on threaded rod A: 75 mm	131.310
Bracket on threaded rod A: 120 mm	131.310.012
Bracket on threaded rod A: 150 mm	131.310.015
Bracket on threaded rod A: 200 mm	131.310.020
Connector bracket on threaded rod A: 75 mm	131.320
Connector bracket on threaded rod A: 120 mm	131.320.012
Connector bracket on threaded rod A: 150 mm	131.320.015
Connector bracket on threaded rod A: 200 mm	131.320.020

The use of bracket on threaded rods and carrying consoles allows for an adjustable wall mount single track

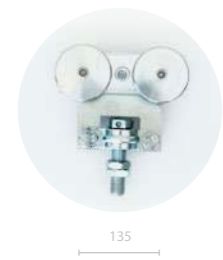


Carrying console
131.910
131.917 (stainless steel)



Rollers with suspension plates - Option 1

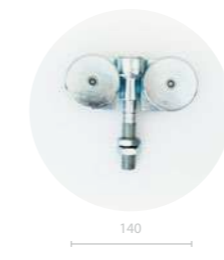
Roller with pivot bolt



	Max. door weight	Reference
Galvanised with steel wheels	75 kg	134.240

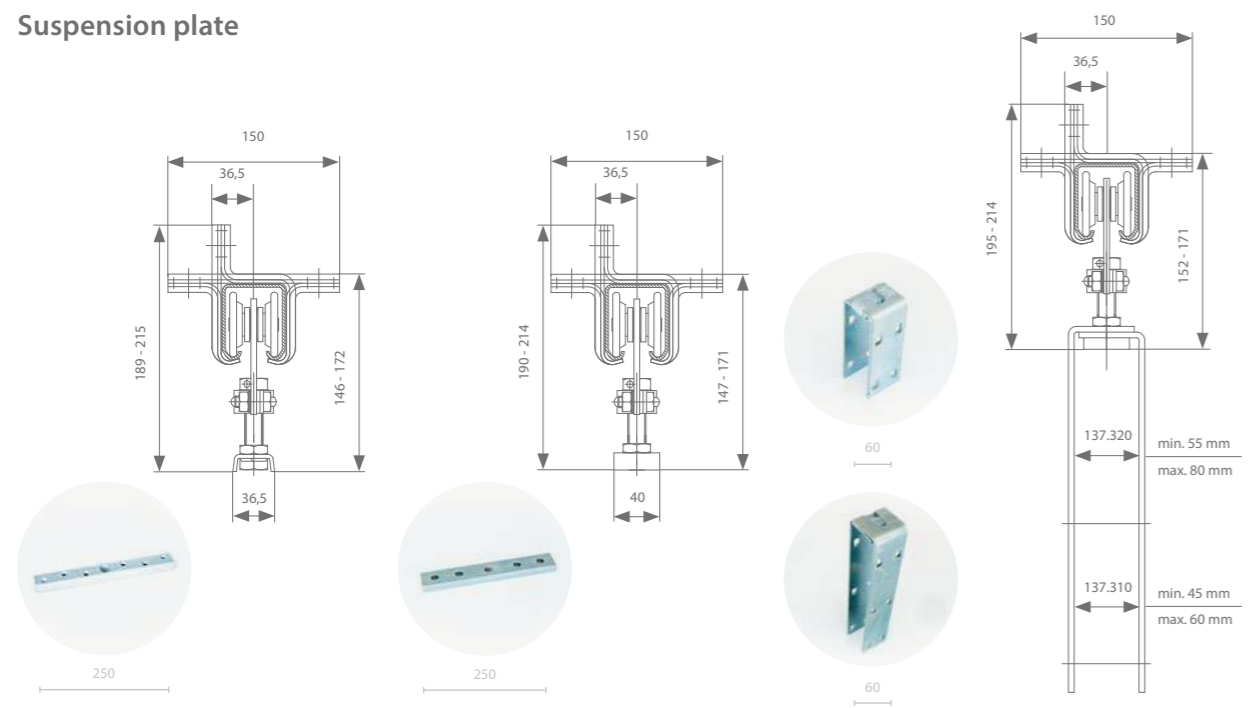
Rollers with suspension plates - Option 2

Space-saving roller



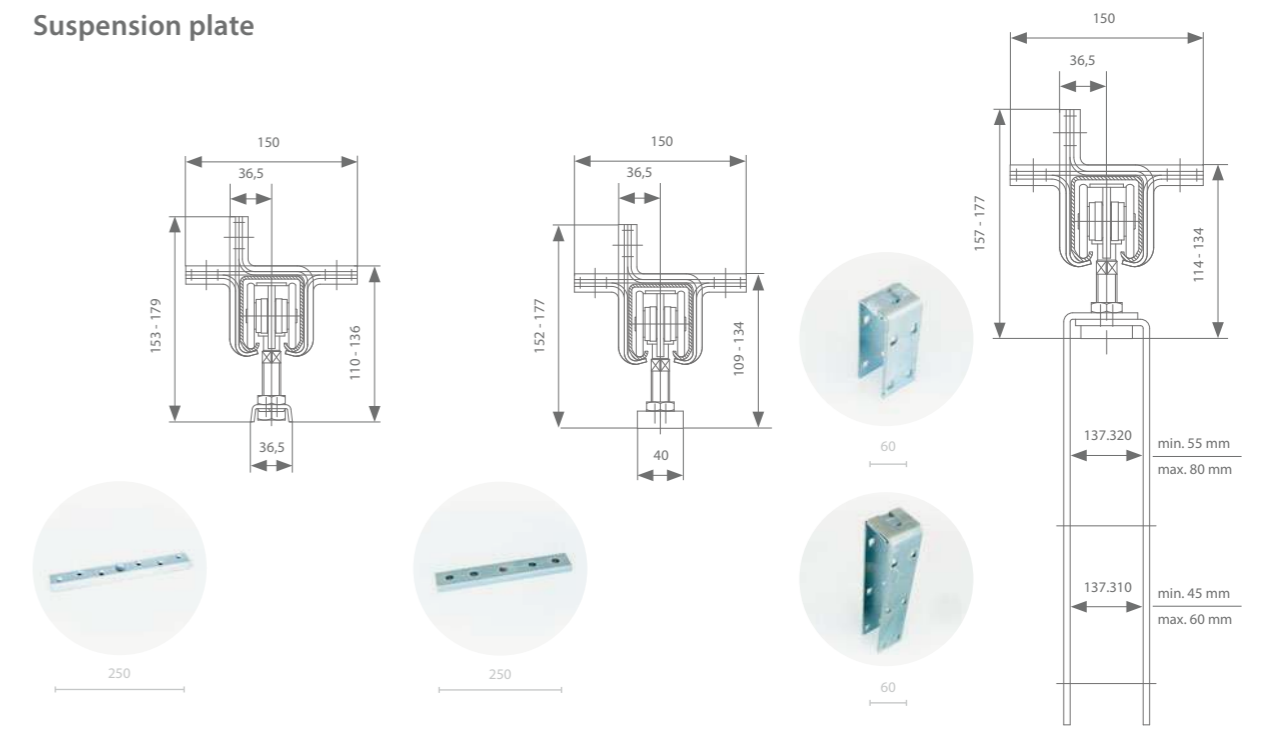
	Max. door weight	Reference
Galvanised with steel wheels	75 kg	134.250

Suspension plate



Suspension plate	Reference	Encompassing suspension plate	Length	Reference
Galvanised	137.110	Galvanised	160 mm	137.310
		Galvanised	320 mm	137.320

Suspension plate

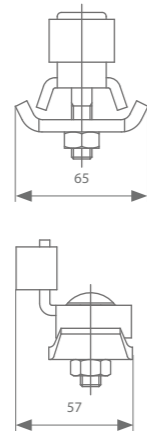


Suspension plate	Reference	Encompassing suspension plate	Length	Reference
Galvanised	137.110	Galvanised	160 mm	137.310
		Galvanised	320 mm	137.320

Stopper

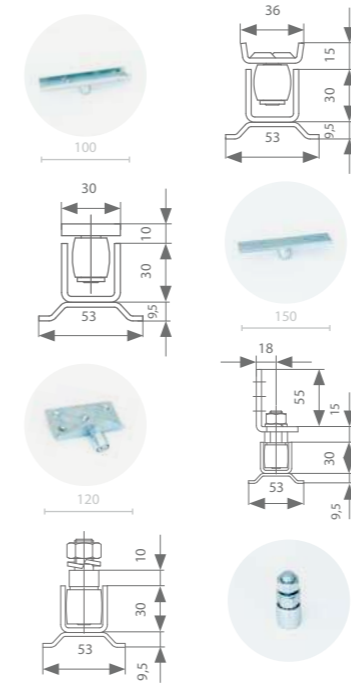


Stopper
139.610
139.617 (stainless steel)



Bottom guide track system

	Length	Reference
Bottom guide track with stone claws (galvanised)	2000 mm	130.400.200
	3000 mm	130.400.300
	4000 mm	130.400.400
	5000 mm	130.400.500
	6000 mm	130.400.600
7000 mm	130.400.700	
Bottom guide track with stone claws (stainless steel)	2000 mm	130.407.200
	3000 mm	130.407.300
	4000 mm	130.407.400
	5000 mm	130.407.500
	6000 mm	130.407.600
7000 mm	130.407.700	
Bottom guide track without stone claws (galvanised)	2000 mm	130.600.200
	3000 mm	130.600.300
	4000 mm	130.600.400
	5000 mm	130.600.500
	6000 mm	130.600.600
7000 mm	130.600.700	
Bottom guide track without stone claws (stainless steel)	2000 mm	130.607.200
	3000 mm	130.607.300
	4000 mm	130.607.400
	5000 mm	130.607.500
	6000 mm	130.607.600
7000 mm	130.607.700	



	Material	Reference
Guide on screw plate	galvanised	138.110
Guide on weld plate	galvanised	138.610
	Stainless steel	138.617
Guide on angle plate	galvanised	138.410
	Stainless steel	138.417
Guide wheel on bolt	galvanised	138.710
	unox	138.717

Brush strip

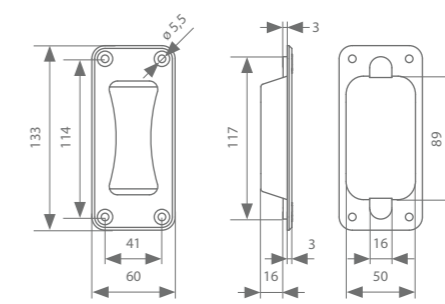


Length	Sweep	Reference
2000 mm	20 mm	139.830.200
3000 mm		139.830.300
3000 mm	20 mm	139.850.300

Handle



Handle
139.828





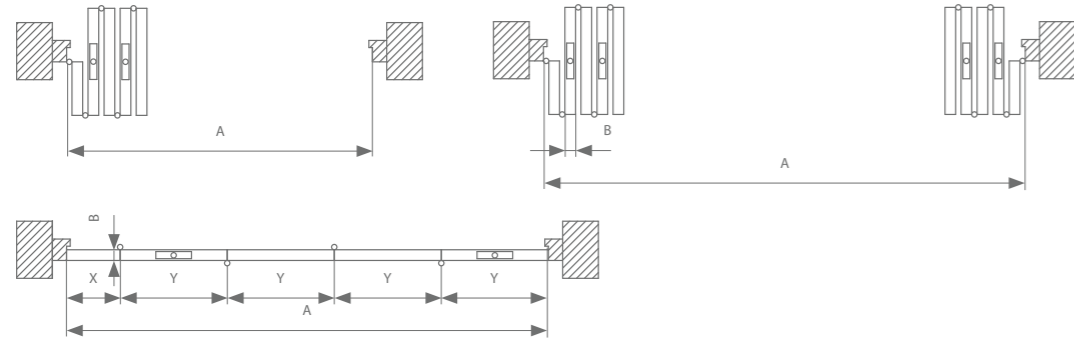
rob
140.000

This steel fitting is suitable for gates up to 200 kg. It has a steel profile to attach to the wall or ceiling via brackets. The brackets are made to connect the profile, but also to support the profile. Therefore, if the profile has to be welded, one should always use the weld brackets. The connecting brackets are always needed at each end of the profile or to connect the profiles to each other. Each roll is equipped with hinges for screws, bolts, or welding. These hinges are always height-adjustable in order to simplify the installation. The rollers are equipped with sealed wheels that practically eliminate the need for relubrication. All wheels are suitable for accommodating slight tilts in the profile. The lower channel rollers are equipped with hinges and are always made of hardened steel. Additional hinges help connect the panels to form a sturdy whole.



140.000

assemble your set 



Legende

A = TOTAL DOOR OPENING (BETWEEN THE JAMBS)
 B = DOOR THICKNESS + Ø HINGE KNUCKLE
 C = NUMBER OF COMPLETE (TILT AND TURN) WINDOWS
 D = NUMBER OF HALF (TILT AND TURN) WINDOWS
 X = WIDTH OF HALF OF THE (TILT AND TURN) WINDOW
 Y = WIDTH OF THE ENTIRE (TILT AND TURN) WINDOW

Example

A = TOTAL DOOR OPENING: 3,5
 B = DOOR THICKNESS: 50 MM
 Ø HINGE KNUCKLE: 15 MM
 C = 4 ENTIRE WINDOWS
 D = 1 HALF WINDOW

Width of half of the (tilt and turn) window

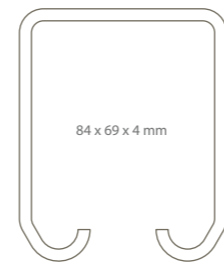
$$X = \frac{A - (C \times B)}{(2 \times C) + D} = \frac{3500 - (4 \times 65)}{(2 \times 4) + 1} = 360 \text{ MM}$$

Width of the entire (tilt and turn) window

$$Y = (2 \times X) + B = (2 \times 360) + 65 = 785 \text{ MM}$$

Running tracks

	Max. door weight	Length	Reference
Galvanised running track	200 kg	2000 mm	140.000.200
		3000 mm	140.000.300
		4000 mm	140.000.400
		5000 mm	140.000.500
		6000 mm	140.000.600
		7000 mm	140.000.700



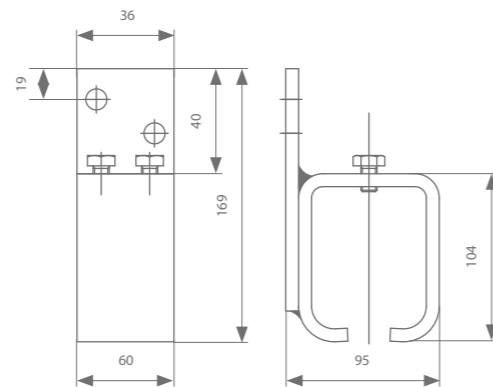
Suspension brackets (required every 500-600 mm)



Wall (joint) bracket
141.130



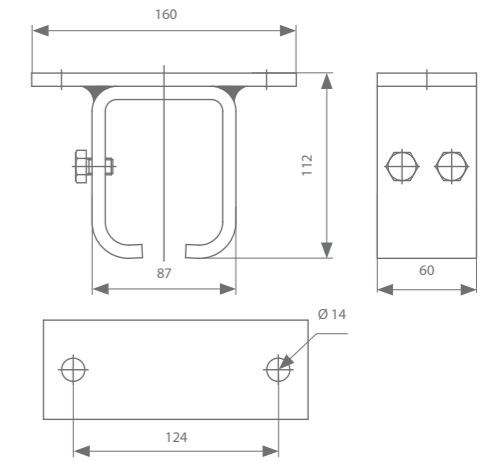
Wall (joint) bracket
141.140



Ceiling bracket
141.230



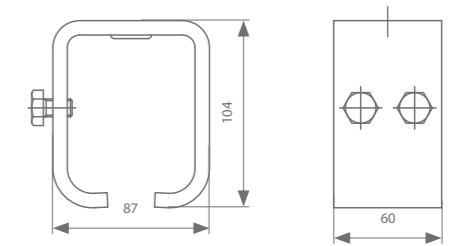
Ceiling joint bracket
141.240



Weld bracket
141.130.1



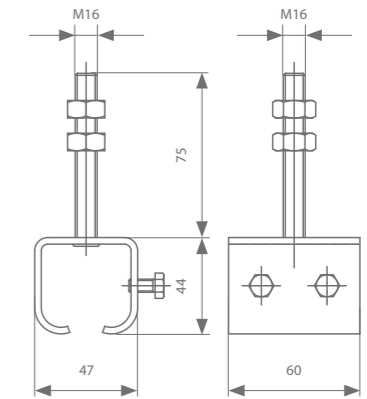
Weld joint bracket
141.290



Bracket on threaded rod
141.310



Connector bracket on threaded rod
141.320



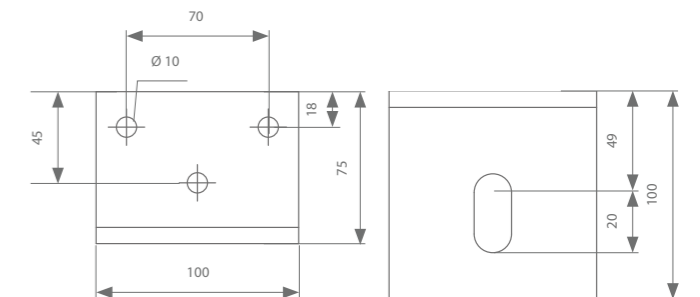
	Reference
Bracket on threaded rod A: 75 mm	141.310
Bracket on threaded rod A: 120 mm	141.310.012
Bracket on threaded rod A: 150 mm	141.310.015
Bracket on threaded rod A: 200 mm	141.310.020

	Reference
Connector bracket on threaded rod A: 75 mm	141.320
Connector bracket on threaded rod A: 120 mm	141.320.012
Connector bracket on threaded rod A: 150 mm	141.320.015
Connector bracket on threaded rod A: 200 mm	141.320.020

The use of bracket on threaded rods and carrying consoles allows for an adjustable wall mount single track



Carrying console
141.910



Rollers with suspension plates - Option 1

Roller with pivot bolt



Double roller with pivot bolt		
Galvanised with steel wheels	200 kg	144.240

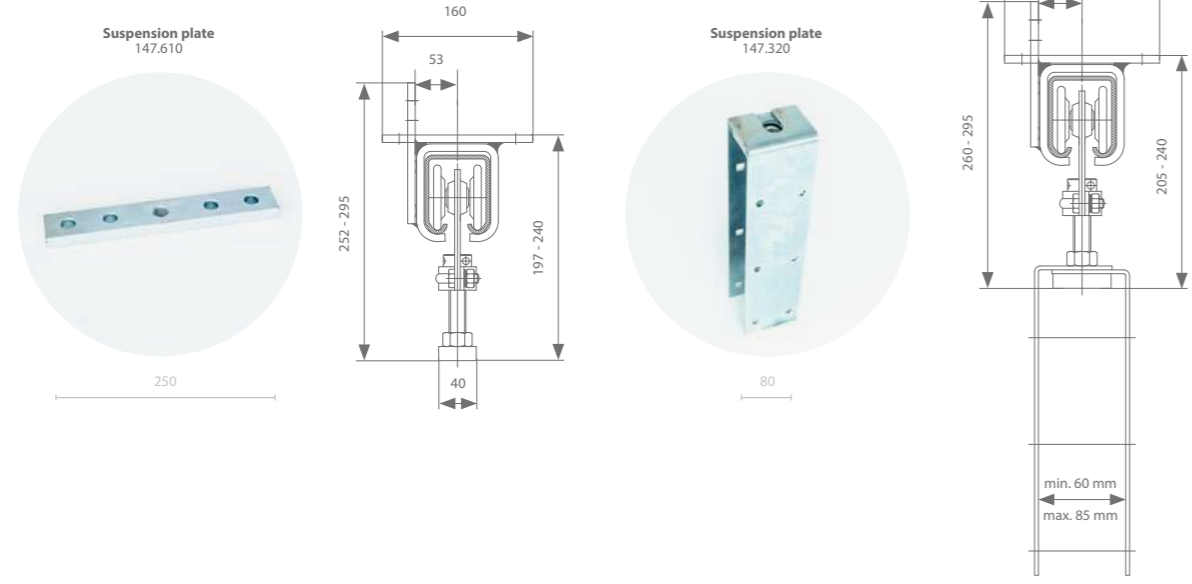
Rollers with suspension plates - Option 2

Space-saving roller

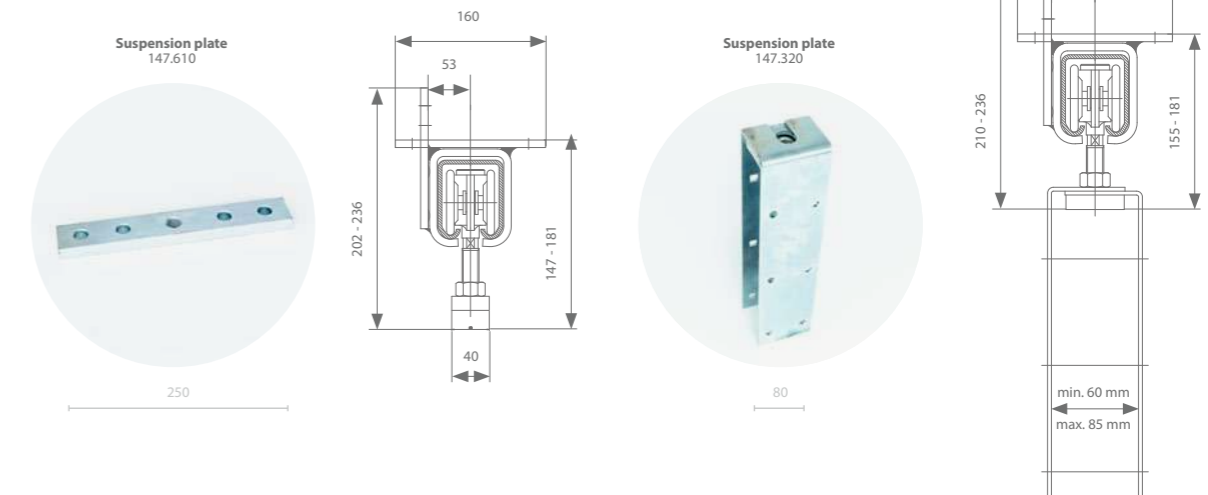


Single roller with fixed bolt	Max. door weight	Reference
Galvanised with steel wheels	200 kg	144.250

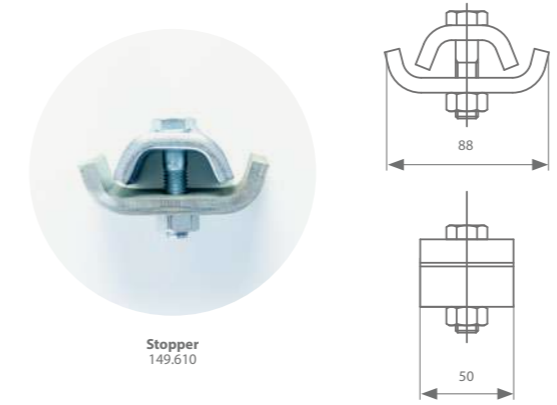
Suspension plate



Suspension plate



Stopper



Bottom guide track system

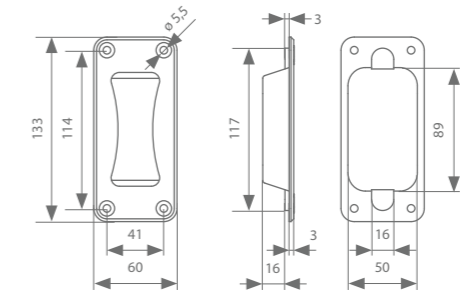
	Length	Reference
Bottom guide track with stone claws (galvanised)	2000 mm	140.400.200
	3000 mm	140.400.300
	4000 mm	140.400.400
	5000 mm	140.400.500
	6000 mm	140.400.600
	7000 mm	140.400.700
Bottom guide track with stone claws (stainless steel)	2000 mm	140.407.200
	3000 mm	140.407.300
	4000 mm	140.407.400
	5000 mm	140.407.500
	6000 mm	140.407.600
	7000 mm	140.407.700
Bottom guide track without stone clamps for the bottom (galvanised)	2000 mm	140.600.200
	3000 mm	140.600.300
	4000 mm	140.600.400
	5000 mm	140.600.500
	6000 mm	140.600.600
	7000 mm	140.600.700
Bottom guide track without stone clamps for the bottom (stainless steel)	2000 mm	140.607.200
	3000 mm	140.607.300
	4000 mm	140.607.400
	5000 mm	140.607.500
	6000 mm	140.607.600
	7000 mm	140.607.700

Brush strip

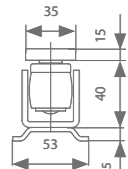

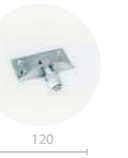
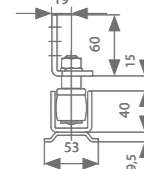
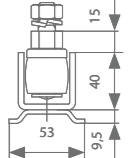



Length	Sweep	Reference
2000 mm	20 mm	139.830.200
3000 mm		139.830.300
3000 mm	20 mm	139.850.300

Handle



Handle
139.828

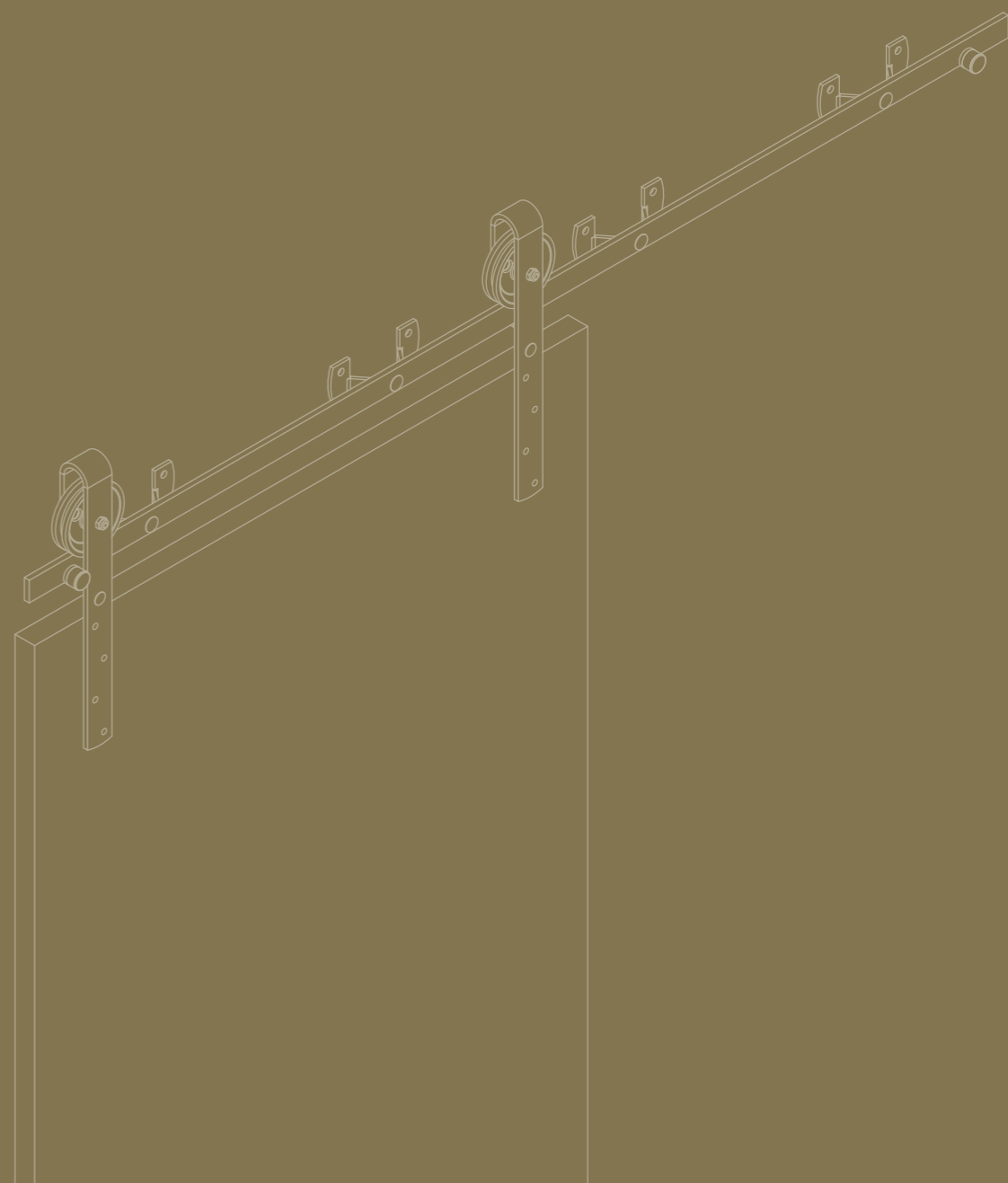
	Material	Reference
 	galvanised	148.610
 	galvanised	148.410
 	galvanised	148.710



05

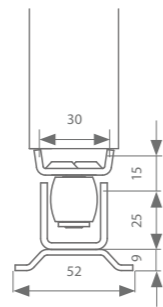
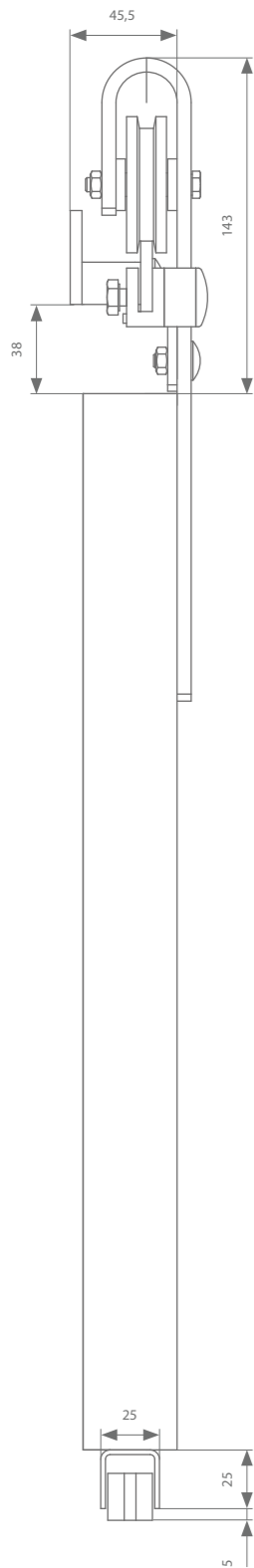
PULLEYS

These pulleys turn your doors and gates up to 350 kg into an eye-catching item on your facade. The combination of strong, solid wheels with built-in fall protection results in contemporary hardware with a vintage style. Each wheel is suspended from a bar with wall brackets.



pulleys
max. door weight 60 kg

Technical drawing



Floor guiding system - option 1

Floor guiding system - option 2

Running track with wall brackets

	Max. door width	Length	Number of wall brackets to order	Reference
Running track black RAL 9005 textured powder coating	750 mm	1500 mm	3	470.005.150.102
	1000 mm	2000 mm	4	470.005.200.102
	1250 mm	2500 mm	5	470.005.250.102
	1500 mm	3000 mm	6	470.005.300.102
	2000 mm	4000 mm	8	470.005.400.102
	3000 mm	6000 mm	12	470.005.600.102
Wall bracket with bolts black RAL 9005 textured powder coating				476.512.9
Wall bracket galvanised				476.510

Pulleys with stoppers

	Reference
Pulley - black RAL 9005 textured powder coating	(2x) 473.062
Pulley galvanised	(2x) 473.060
Stopper - black RAL 9005 textured powder coating	(2x) 479.005.02

Floor guiding system - Option 1

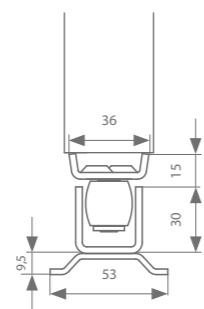
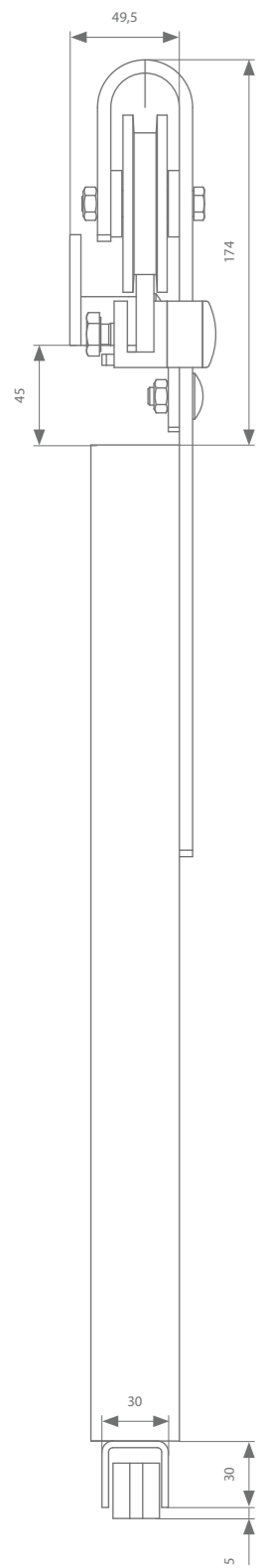
	Max. door width	Length	Reference
Bottom guide track for the door (galvanised)	2000 mm	2000 mm	120.600.200
	3000 mm	3000 mm	120.600.300
	4000 mm	4000 mm	120.600.400
	5000 mm	5000 mm	120.600.500
	6000 mm	6000 mm	120.600.600
	7000 mm	7000 mm	120.600.700
Bottom guide conductor block (plastic)			129.315

Floor guiding system - Option 2

	Max. door width	Length	Reference
Bottom guide track with stone claws (galvanised)	1000 mm	2000 mm	120.400.200
	1500 mm	3000 mm	120.400.300
	2000 mm	4000 mm	120.400.400
	2500 mm	5000 mm	120.400.500
	3000 mm	6000 mm	120.400.600
	3500 mm	7000 mm	120.400.700
Guide on screw plate (galvanised)			128.110

pulleys
max. door weight 100 kg

Technical drawing



Floor guiding system - option 1

Floor guiding system - option 2

Running track with wall brackets

	Max. door width	Length	Number of wall brackets to order	Reference
Running track black RAL 9005 textured powder coating	750 mm	1500 mm	3	470.008.150.102
	1000 mm	2000 mm	4	470.008.200.102
	1250 mm	2500 mm	5	470.008.250.102
	1500 mm	3000 mm	6	470.008.300.102
	2000 mm	4000 mm	8	470.008.400.102
	3000 mm	6000 mm	12	470.008.600.102
Wall bracket with bolts black RAL 9005 textured powder coating				476.522.9
Wall bracket galvanised				476.520

Pulleys with stoppers

	Reference
Pulley - black RAL 9005 textured powder coating	(2x) 473.082
Pulley galvanised	(2x) 473.080
Stopper - black RAL 9005 textured powder coating	(2x) 479.010.02

Floor guiding system - Option 1

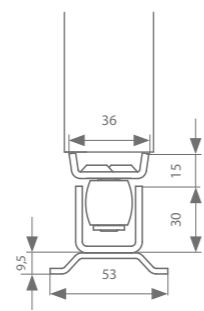
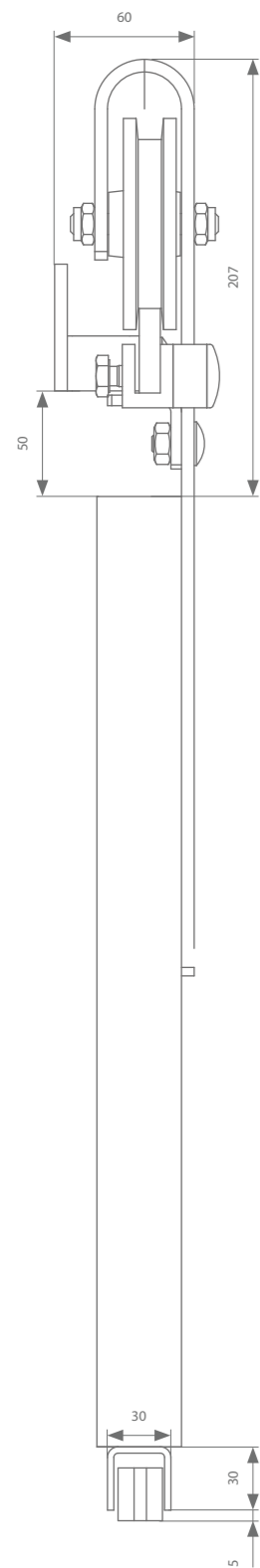
	Max. door width	Length	Reference
Bottom guide track for the door (galvanised)	2000 mm	2000 mm	130.600.200
	3000 mm	3000 mm	130.600.300
	4000 mm	4000 mm	130.600.400
	5000 mm	5000 mm	130.600.500
	6000 mm	6000 mm	130.600.600
	7000 mm	7000 mm	130.600.700
Bottom guide conductor block (plastic)			139.315

Floor guiding system - Option 2

	Max. door width	Length	Reference
Bottom guide track with stone claws (galvanised)	1000 mm	2000 mm	130.400.200
	1500 mm	3000 mm	130.400.300
	2000 mm	4000 mm	130.400.400
	2500 mm	5000 mm	130.400.500
	3000 mm	6000 mm	130.400.600
	3500 mm	7000 mm	130.400.700
Guide on screw plate (galvanised)			138.110

pulleys
max. door weight 150 kg

Technical drawing



Floor guiding system - option 1

Floor guiding system - option 2

Running track with wall brackets

	Max. door width	Length	Number of wall brackets to order	Reference
Running track black RAL 9005 textured powder coating	750 mm	1500 mm	3	470.010.150.102
	1000 mm	2000 mm	4	470.010.200.102
	1250 mm	2500 mm	5	470.010.250.102
	1500 mm	3000 mm	6	470.010.300.102
	2000 mm	4000 mm	8	470.010.400.102
	3000 mm	6000 mm	12	470.010.600.102
Wall bracket with bolts black RAL 9005 textured powder coating				476.532.9
Wall bracket galvanised				476.530

Pulleys with stoppers

	Reference
Pulley - black RAL 9005 textured powder coating	(2x) 473.102
Stopper - black RAL 9005 textured powder coating	(2x) 479.010.02

Floor guiding system - Option 1

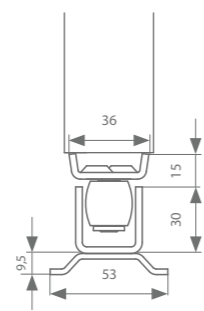
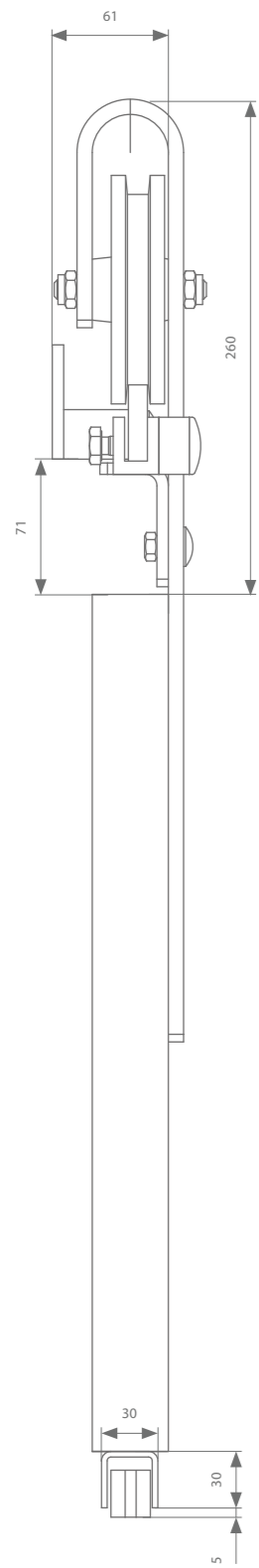
	Max. door width	Length	Reference
Bottom guide track for the door (galvanised)	2000 mm	2000 mm	130.600.200
	3000 mm	3000 mm	130.600.300
	4000 mm	4000 mm	130.600.400
	5000 mm	5000 mm	130.600.500
	6000 mm	6000 mm	130.600.600
	7000 mm	7000 mm	130.600.700
Bottom guide conductor block (plastic)			139.315

Floor guiding system - Option 2

	Max. door width	Length	Reference
Bottom guide track with stone claws (galvanised)	1000 mm	2000 mm	130.400.200
	1500 mm	3000 mm	130.400.300
	2000 mm	4000 mm	130.400.400
	2500 mm	5000 mm	130.400.500
	3000 mm	6000 mm	130.400.600
	3500 mm	7000 mm	130.400.700
Guide on screw plate (galvanised)			138.110

pulleys
max. door weight 200 kg

Technical drawing



Floor guiding system - option 1

Floor guiding system - option 2

Running track with wall brackets

	Max. door width	Length	Number of wall brackets to order	Reference
Running track black RAL 9005 textured powder coating	750 mm	1500 mm	3	470.010.150.102
	1000 mm	2000 mm	4	470.010.200.102
	1250 mm	2500 mm	5	470.010.250.102
	1500 mm	3000 mm	6	470.010.300.102
	2000 mm	4000 mm	8	470.010.400.102
	3000 mm	6000 mm	12	470.010.600.102
Wall bracket with bolts black RAL 9005 textured powder coating				476.532.9
Wall bracket galvanised				476.530

Pulleys with stoppers

	Reference
Pulley - black RAL 9005 textured powder coating	(2x) 473.122
Stopper - black RAL 9005 textured powder coating	(2x) 479.010.02

Floor guiding system - Option 1

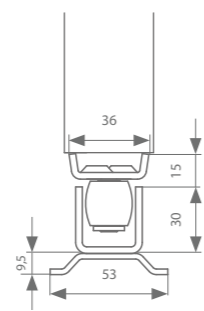
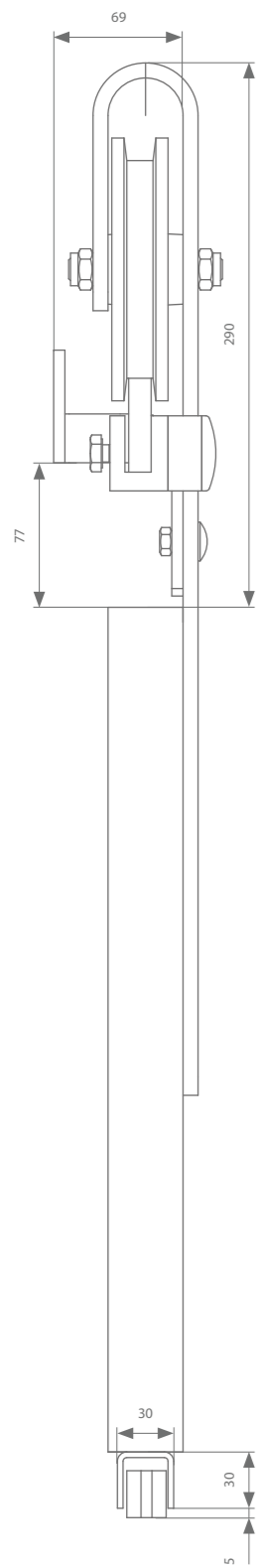
	Max. door width	Length	Reference
Bottom guide track for the door (galvanised)	2000 mm	2000 mm	130.600.200
	3000 mm	3000 mm	130.600.300
	4000 mm	4000 mm	130.600.400
	5000 mm	5000 mm	130.600.500
	6000 mm	6000 mm	130.600.600
	7000 mm	7000 mm	130.600.700
Bottom guide conductor block (plastic)			139.315

Floor guiding system - Option 2

	Max. door width	Length	Reference
Bottom guide track with stone claws (galvanised)	1000 mm	2000 mm	130.400.200
	1500 mm	3000 mm	130.400.300
	2000 mm	4000 mm	130.400.400
	2500 mm	5000 mm	130.400.500
	3000 mm	6000 mm	130.400.600
	3500 mm	7000 mm	130.400.700
Guide on screw plate (galvanised)			138.110

pulleys
max. door weight 275 kg

Technical drawing



Floor guiding system - option 1

Floor guiding system - option 2

Running track with wall brackets

	Max. door width	Length	Number of wall brackets to order	Reference
Running track black RAL 9005 textured powder coating	750 mm	1500 mm	3	470.012.150.102
	1000 mm	2000 mm	4	470.012.200.102
	1250 mm	2500 mm	5	470.012.250.102
	1500 mm	3000 mm	6	470.012.300.102
	2000 mm	4000 mm	8	470.012.400.102
	3000 mm	6000 mm	12	470.012.600.102
Wall bracket with bolts black RAL 9005 textured powder coating				476.532.9
Wall bracket galvanised				476.530

Pulleys with stoppers

	Reference
Pulley - black RAL 9005 textured powder coating	(2x) 473.142
Stopper - black RAL 9005 textured powder coating	(2x) 479.012.02

Floor guiding system - Option 1

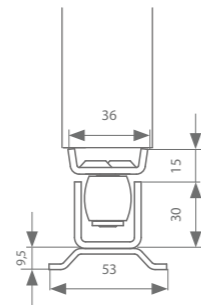
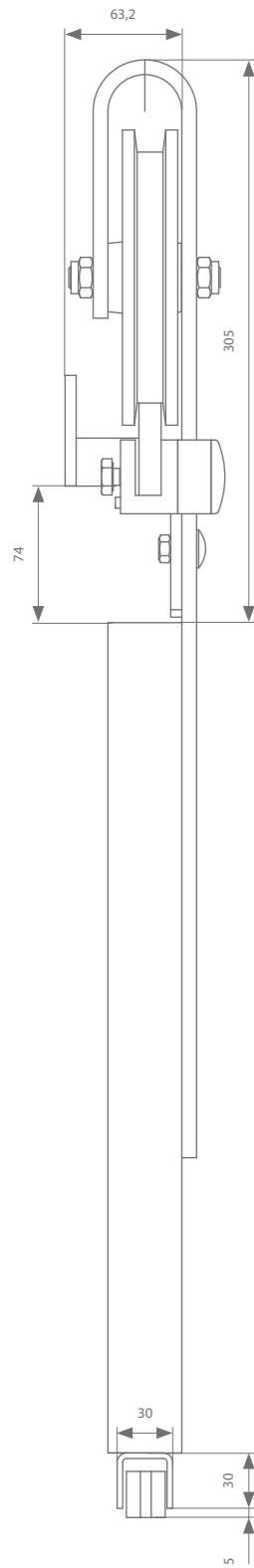
	Max. door width	Length	Reference
Bottom guide track for the door (galvanised)	2000 mm	2000 mm	130.600.200
	3000 mm	3000 mm	130.600.300
	4000 mm	4000 mm	130.600.400
	5000 mm	5000 mm	130.600.500
	6000 mm	6000 mm	130.600.600
	7000 mm	7000 mm	130.600.700
Bottom guide conductor block (plastic)			139.315

Floor guiding system - Option 2

	Max. door width	Length	Reference
Bottom guide track with stone claws (galvanised)	1000 mm	2000 mm	130.400.200
	1500 mm	3000 mm	130.400.300
	2000 mm	4000 mm	130.400.400
	2500 mm	5000 mm	130.400.500
	3000 mm	6000 mm	130.400.600
	3500 mm	7000 mm	130.400.700
Guide on screw plate (galvanised)			138.110

max. door weight 350 kg

Technical drawing



Floor guiding system - option 1

Floor guiding system - option 2

Running track with wall brackets

	Max. door width	Length	Number of wall brackets to order	Reference
Running track black RAL 9005 textured powder coating	750 mm	1500 mm	3	470.012.150.102
	1000 mm	2000 mm	4	470.012.200.102
	1250 mm	2500 mm	5	470.012.250.102
	1500 mm	3000 mm	6	470.012.300.102
	2000 mm	4000 mm	8	470.012.400.102
	3000 mm	6000 mm	12	470.012.600.102
Wall bracket with bolts black RAL 9005 textured powder coating				476.532.9
Wall bracket galvanised				476.530

Pulleys with stoppers

	Reference
Pulley - black RAL 9005 textured powder coating	(2x) 473.162
Stopper - black RAL 9005 textured powder coating	(2x) 479.012.02

Floor guiding system - Option 1

	Max. door width	Length	Reference
Bottom guide track for the door (galvanised)	2000 mm	2000 mm	130.600.200
	3000 mm	3000 mm	130.600.300
	4000 mm	4000 mm	130.600.400
	5000 mm	5000 mm	130.600.500
	6000 mm	6000 mm	130.600.600
	7000 mm	7000 mm	130.600.700
Bottom guide conductor block (plastic)			139.315

Floor guiding system - Option 2

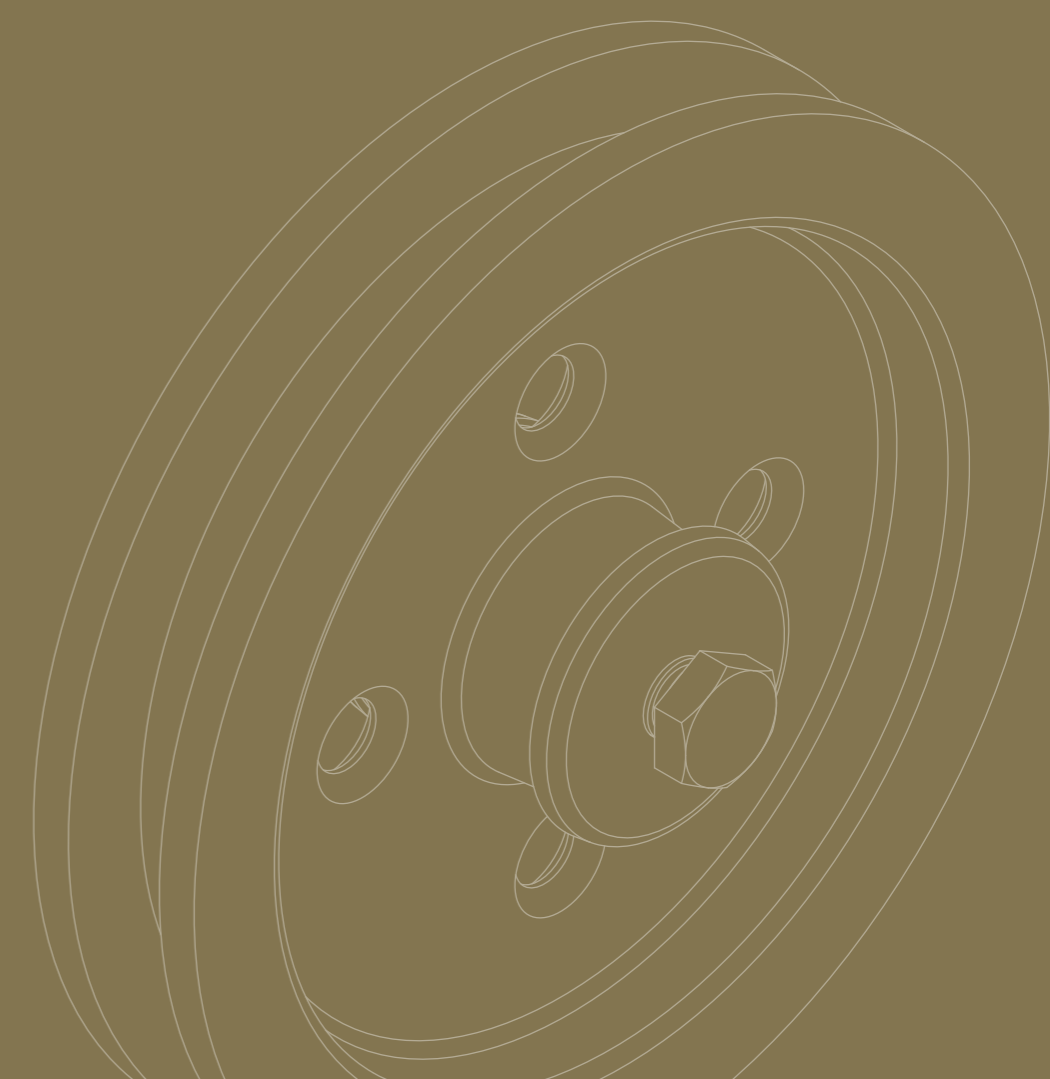
	Max. door width	Length	Reference
Bottom guide track with stone claws (galvanised)	1000 mm	2000 mm	130.400.200
	1500 mm	3000 mm	130.400.300
	2000 mm	4000 mm	130.400.400
	2500 mm	5000 mm	130.400.500
	3000 mm	6000 mm	130.400.600
	3500 mm	7000 mm	130.400.700
Guide on screw plate (galvanised)			138.110



06

AXLE PULLEYS

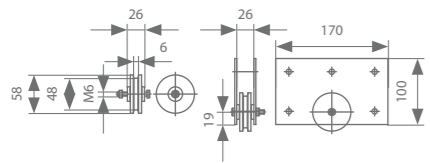
Our solid axle pulleys are affixed to the bottom of the door and move along a rail installed in the ground. This strong mechanism is capable of moving doors up to 2000 kg. To ensure that the door moves perfectly straight, a guiding system is fitted on top.



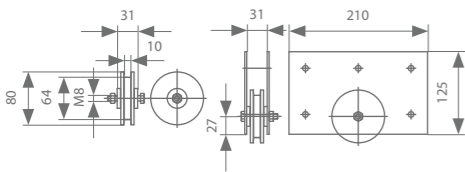
axle pulleys

Technical drawings

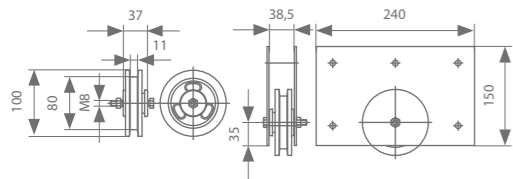
60 kg



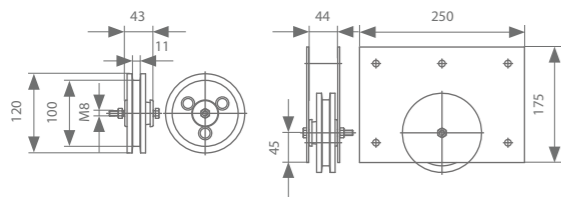
100 kg



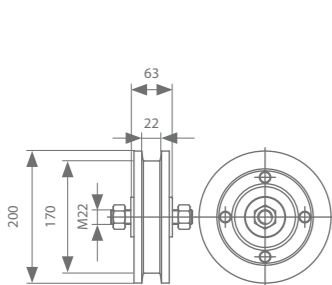
150 kg



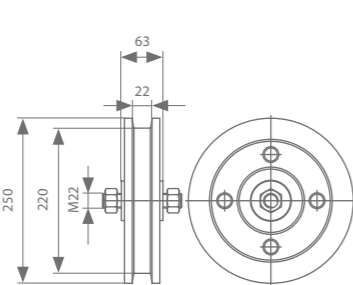
200 kg



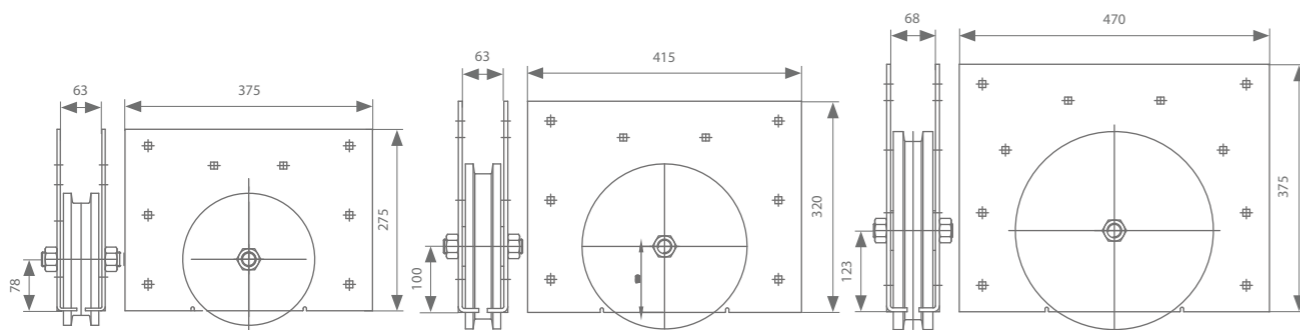
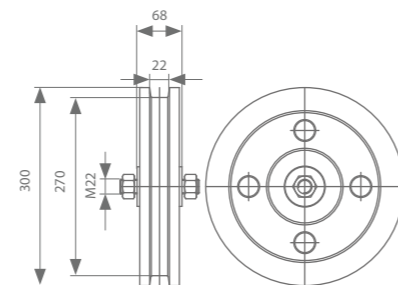
1200 kg



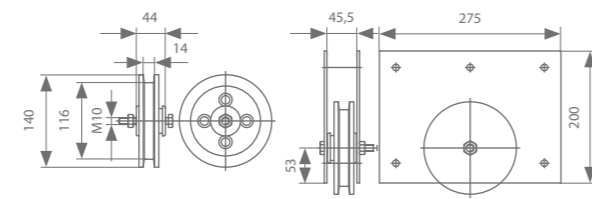
1600 kg



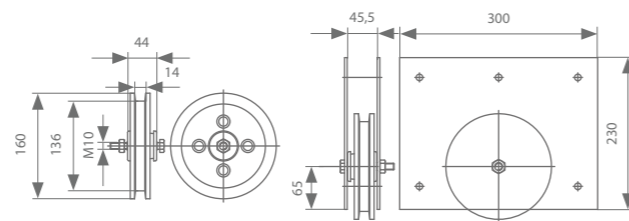
2000 kg



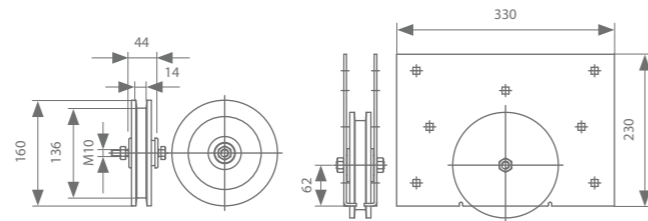
275 kg



350 kg



600 kg

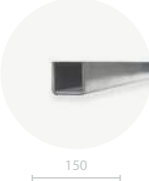
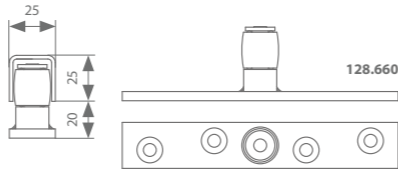

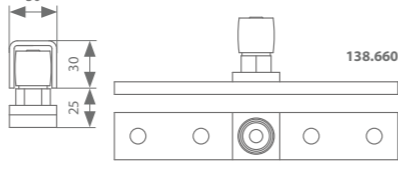

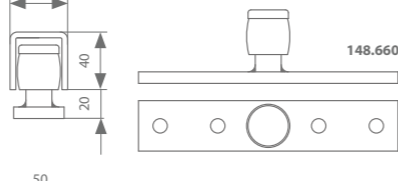

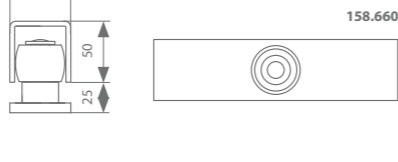


Rollers

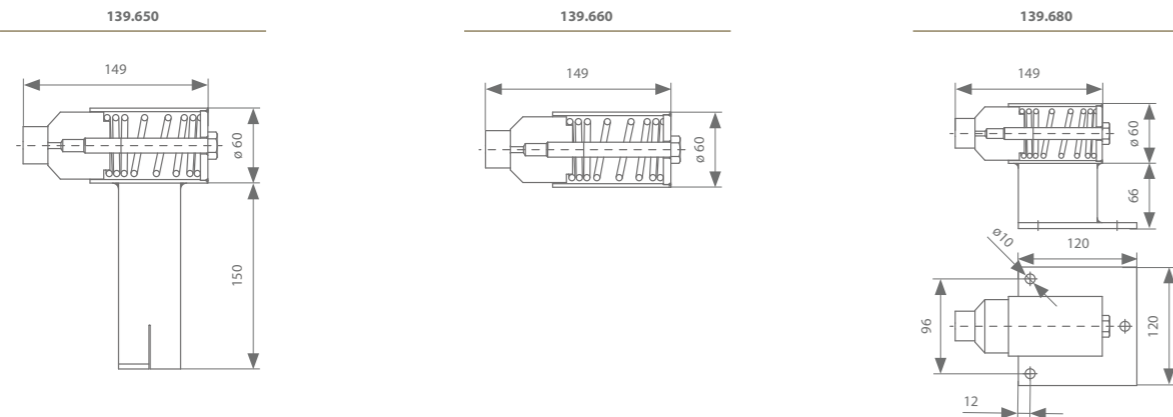
Max. door weight	Colour	Name	Reference
60 kg	Galvanised steel	Axle pulley – diameter 60mm – needle bearings	471.060
		Axle pulleys with side plate – diameter 60mm – needle bearings	474.060
100 kg	Galvanised steel	Axle pulley – diameter 80mm – needle bearings	471.080
		Axle pulleys with side plate – diameter 80mm – needle bearings	474.080
150 kg	Black RAL9005 powder-coated cast iron	Axle pulley – diameter 100mm – needle bearings	471.100
		Axle pulleys with side plate – diameter 100mm – needle bearings	474.100
200 kg	Black RAL9005 powder-coated cast iron	Axle pulley – diameter 120mm – needle bearings	471.120
		Axle pulleys with side plate – diameter 120mm – needle bearings	474.120
275 kg	Black RAL9005 powder-coated cast iron	Axle pulley – diameter 140mm – needle bearings	471.140
		Axle pulleys with side plate – diameter 140mm – needle bearings	474.140
350 kg	Black RAL9005 powder-coated cast iron	Axle pulley – diameter 160mm – needle bearings	471.160
		Axle pulleys with side plate – diameter 160mm – needle bearings	474.160
600 kg	Black RAL9005 powder-coated cast iron	Axle pulley – diameter 160mm – needle bearings	472.160
		Axle pulleys with side plate – diameter 160mm – needle bearings	475.160
1200 kg	Black RAL9005 powder-coated cast iron	Axle pulley – diameter 200mm – needle bearings	472.200
		Axle pulleys with side plate – diameter 200mm – needle bearings	475.200
1600 kg	Black RAL9005 powder-coated cast iron	Axle pulley – diameter 250mm – needle bearings	472.250
		Axle pulleys with side plate – diameter 250mm – needle bearings	475.250
2000 kg	Black RAL9005 powder-coated cast iron	Axle pulley – diameter 300mm – needle bearings	472.300
		Axle pulleys with side plate – diameter 300mm – needle bearings	475.300

axle pulleys

Upper roller guide

	Length	Reference	
 150	2000 mm	120.600.200	 128.660
	3000 mm	120.600.300	
	4000 mm	120.600.400	
	5000 mm	120.600.500	
	6000 mm	120.600.600	
	7000 mm	120.600.700	
 180	2000 mm	130.600.200	 138.660
	3000 mm	130.600.300	
	4000 mm	130.600.400	
	5000 mm	130.600.500	
	6000 mm	130.600.600	
	7000 mm	130.600.700	
 180	2000 mm	140.600.200	 148.660
	3000 mm	140.600.300	
	4000 mm	140.600.400	
	5000 mm	140.600.500	
	6000 mm	140.600.600	
	7000 mm	140.600.700	
 200	3000 mm	150.600.300	 158.660
	6000 mm	150.600.600	

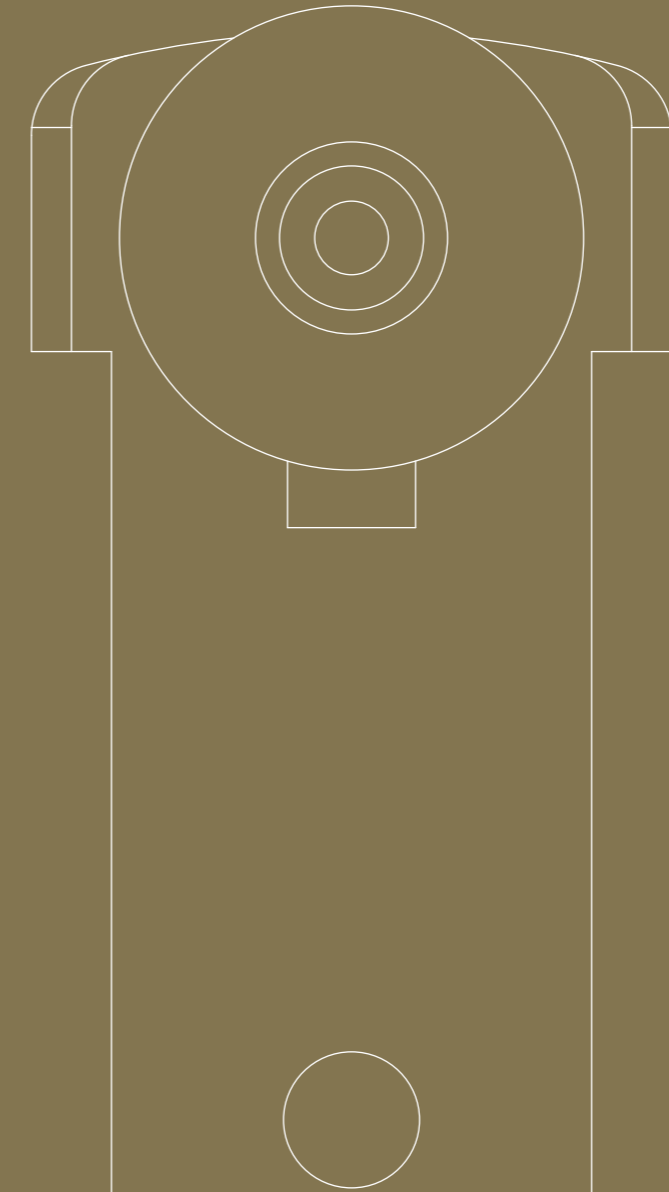
For heavy doors, proper door stops is equally important as proper suspension. When the doors are stopped only by rollers running into an end stopper in the profile, the rollers and profile suspension are exposed to likely damage. The use of a stopper with a spring to stop the door itself, can help avoid a lot of issues.



07

TARP ROLLERS

Where tarpaulins and heavy wall curtains have to be hung and also moved, it is very important to choose the right rolls. Only rollers equipped with a buffer nose will guarantee proper functioning.

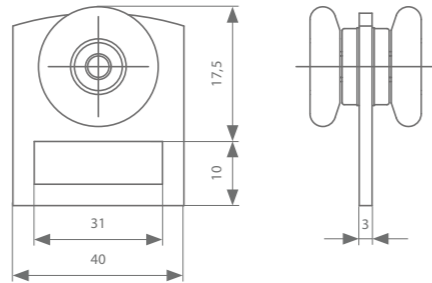


tarp rollers

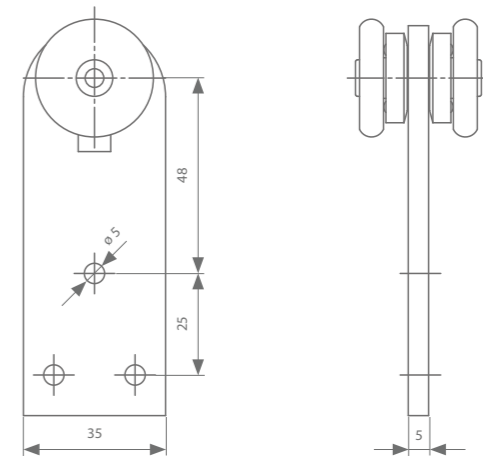
In combination with 110.000
max. 20 kg per roller



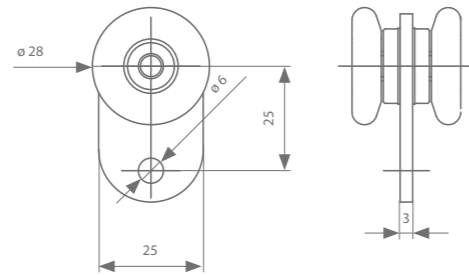
Hood roller without impact buffers
114.710



Hood roller without impact buffers
124.700.095



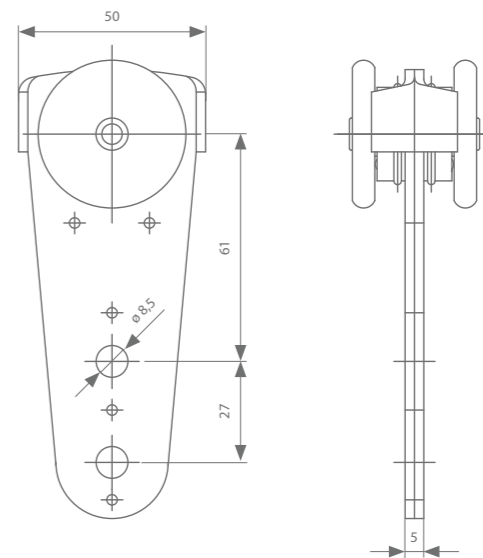
Hood roller without impact buffers
114.710.250.6



In combination with 170.000
max. 50 kg per roller



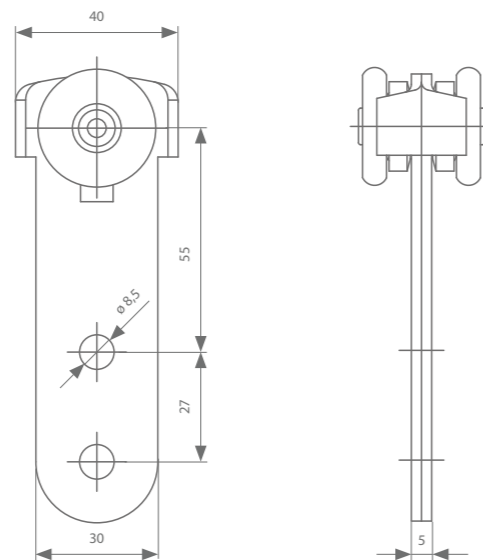
Hood roller with impact buffers
174.730



In combination with 120.000
max. 30 kg per roller



Hood roller with impact buffers
124.700.110





Ter Vlucht 2 +32 (0)51 27 05 00
8850 Ardoonie info@arlu.be
Belgium WWW.ARLU.BE

