



DESIGN SLIDING DOOR SYSTEMS





ARLU, THE REFERENCE FOR OPENING DOORS

ARLU® is the manufacturer behind the brand names argenta® and rob®. Argenta has been a leading brand in door hardware for over 100 years, but today it is mainly synonymous with invisible door systems.

Minimalist architecture swears by clean lines and a “back to the essence” mentality. In terms of interior doors, this results in integrated door fittings, invisible integrated techniques, door frames and skirting boards for swing, sliding and pivoting doors

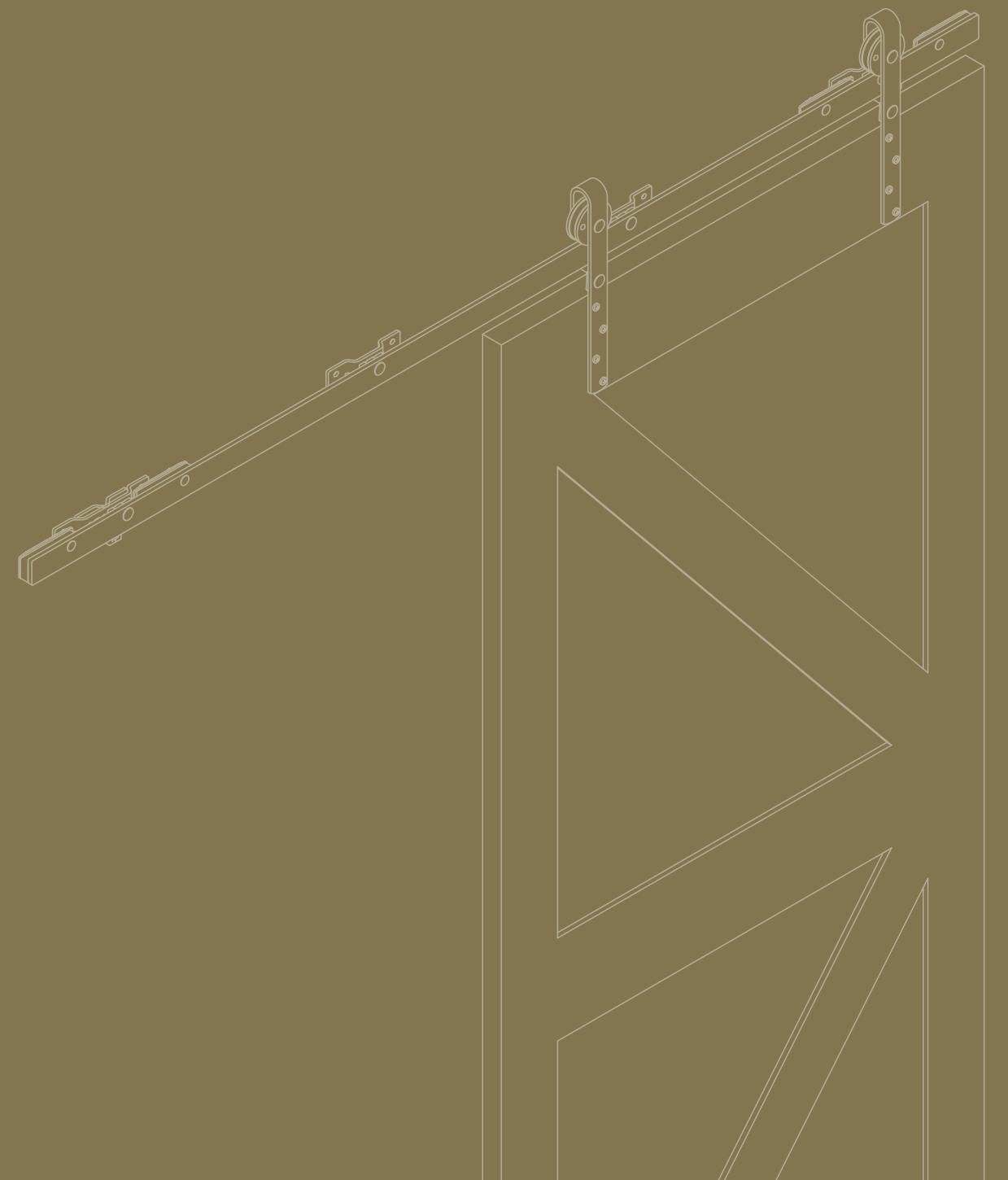
Argenta stands for a full range of sleek interior solutions.

01	LOFT _____	03
02	SQUARE ____	08
03	SLIDE LINEA _____	12
04	VISITOP ALU _____	16

01

LOFT

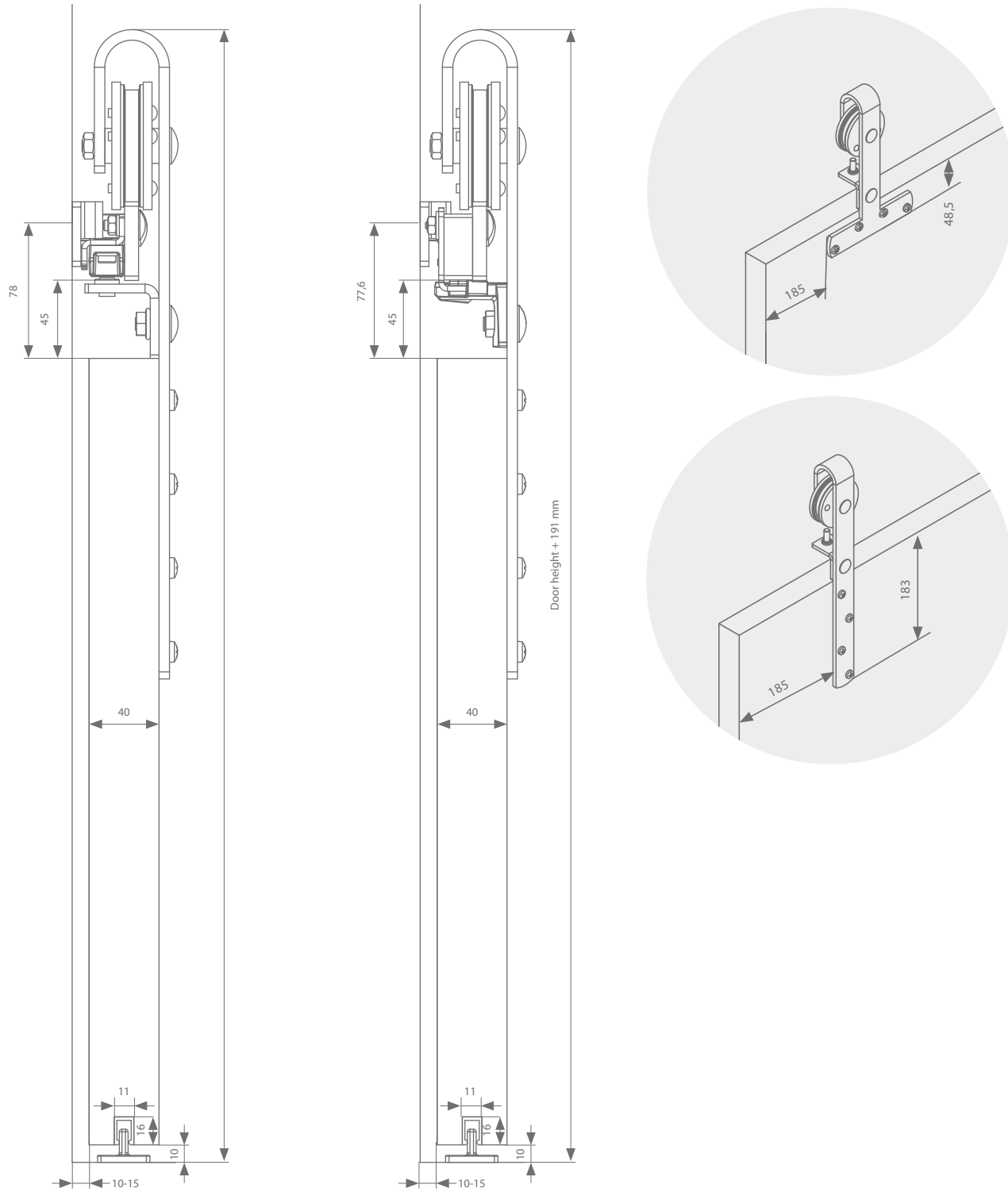
This vintage sliding door system is a real eye-catcher which matches perfectly with cottages and contemporary-styled design. Loft is available in painted black (RAL 9005) for timber or glass doors of max. 100 kg. The synthetic insert in the wheels guarantees a very smooth movement of the door. The stoppers have an invisible clamp to hold the door or the new hidden soft-close provides a smooth full closing of the door.



Technical drawing

2 x stopper

2 x softclose



Loft black


Door width	Length	Reference
730 mm	1420 mm	470.282.073.22
780 mm	1520 mm	470.282.078.22
830 mm	1620 mm	470.282.083.22
880 mm	1720 mm	470.282.088.22
930 mm	1820 mm	470.282.093.22
980 mm	1920 mm	470.282.098.22
1030 mm	2020 mm	470.282.103.22
1080 mm	2120 mm	470.282.108.22
1130 mm	2220 mm	470.282.113.22
1180 mm	2320 mm	470.282.118.22
1230 mm	2420 mm	470.282.123.22
1350 mm	2700 mm	470.282.135.22
1500 mm	3000 mm	470.282.150.22
1750 mm	3500 mm	470.282.175.22
2000 mm	4000 mm	470.282.200.22
Track with brackets - black		
	1000 mm	510.608.100
	1250 mm	510.608.125
	1500 mm	510.608.150
	2000 mm	510.608.200
Bottom guide track (optional)		
	1000 mm	510.608.100
	1250 mm	510.608.125
	1500 mm	510.608.150
	2000 mm	510.608.200

Fittings

	Reference
 I-shape: 2 stoppers	470.382.00
I-shape: 2 softcloses	470.382.22

	Reference
 T-shape: 2 stoppers	470.372.00
T-shape: 2 softcloses	470.372.22

Complete sets

	Door width	Track length	Reference
 Set loft black with 2 stoppers	930 mm	1820 mm	470.382.093.00
Set loft black with 2 softcloses	930 mm	1820 mm	470.382.093.22



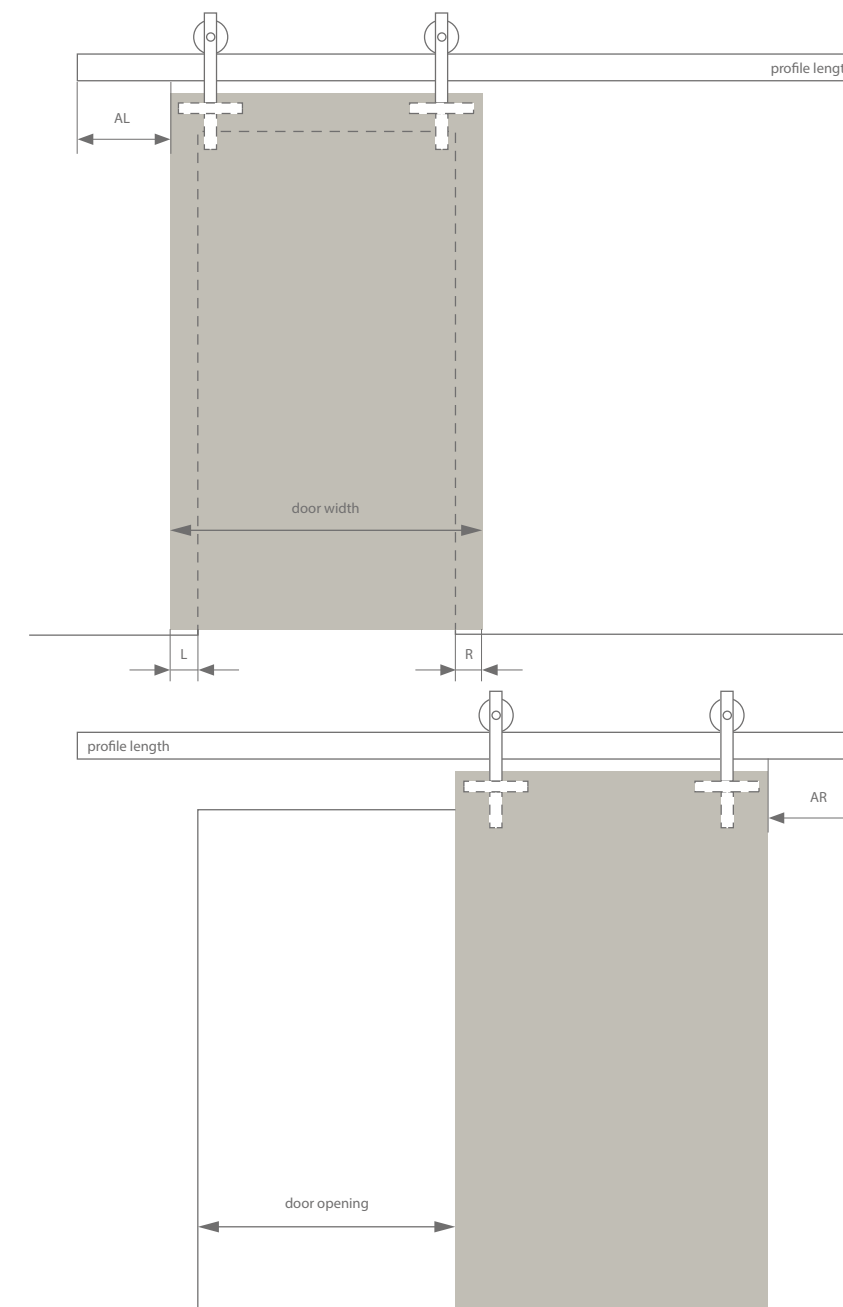
loft 100 kg

assemble your set 

How to determine the right profile length?

- Door width = Door opening + L + R
- Minimum profile length = (2 x door width) – R
- Choose a standard profile length that is a maximum of 110 mm longer than the minimum profile length
- Divide adjustment over AL and AR, each with a maximum length of 55 mm.

Technical drawing

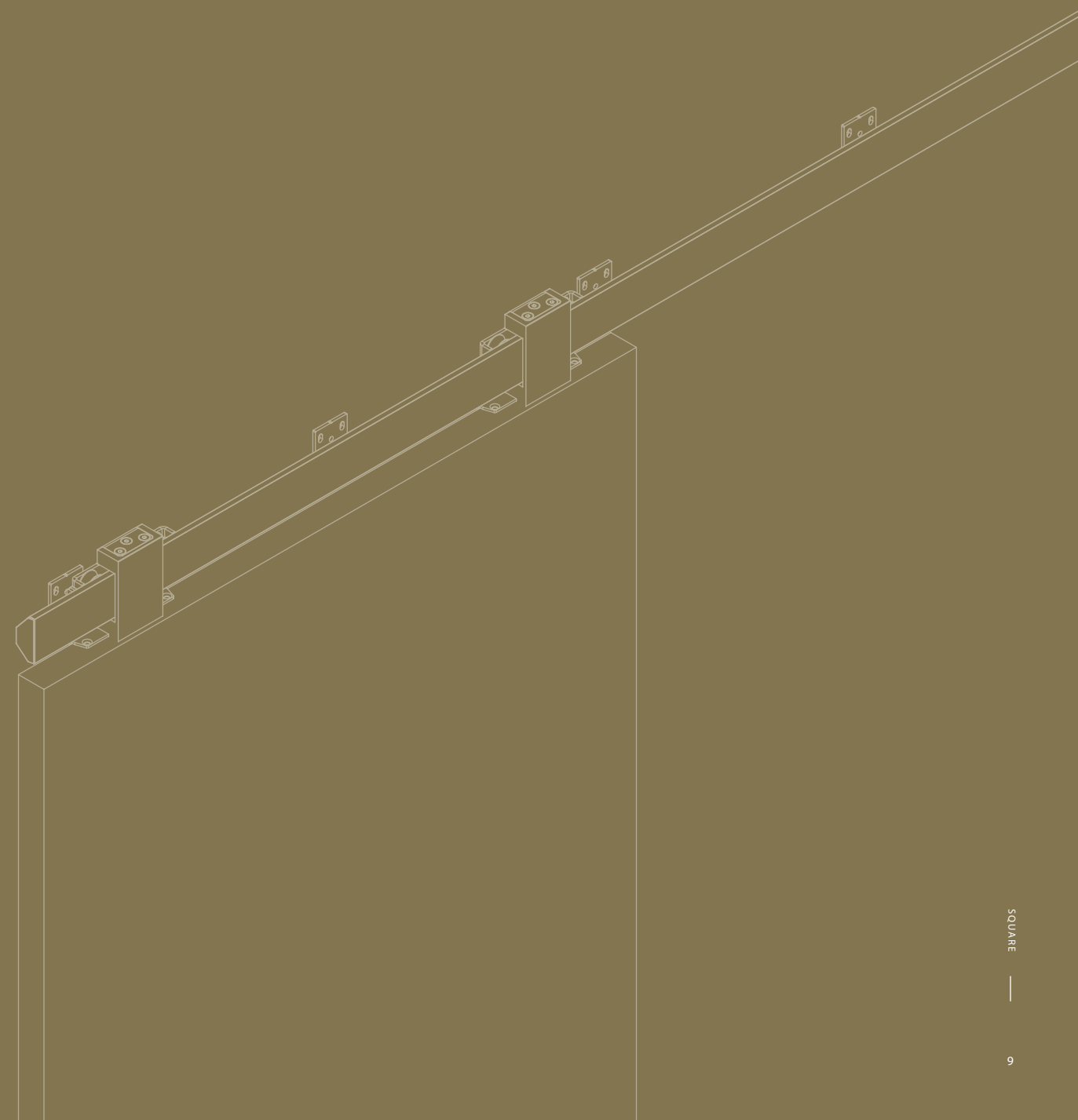




02

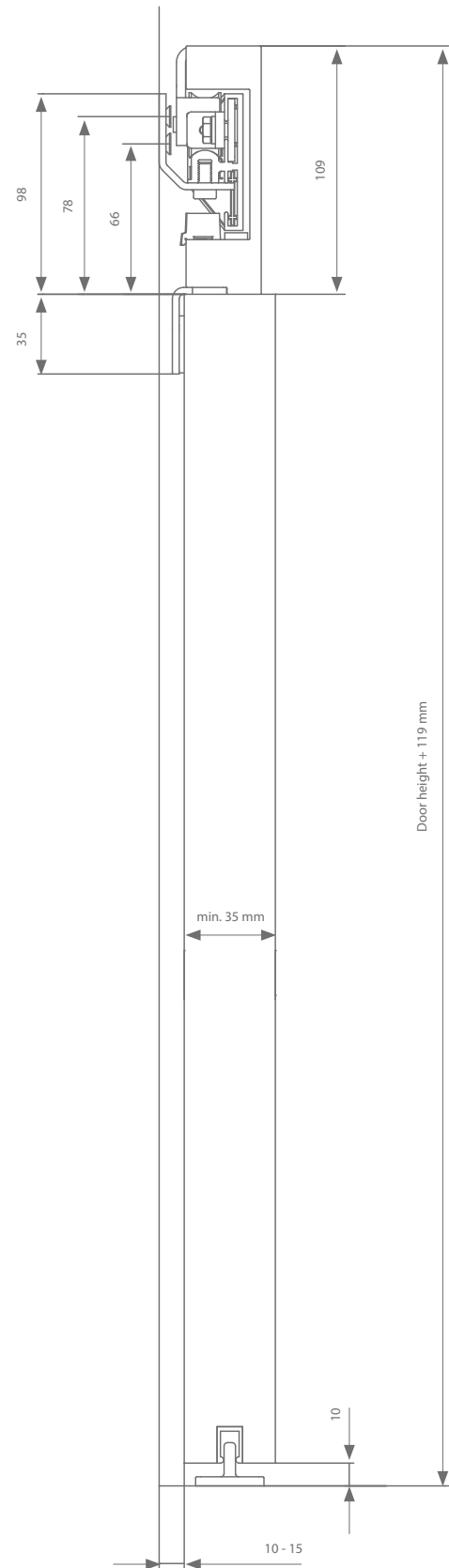
SQUARE

With the newcomer square argenta® aims a linear form, stylishly integrated into a minimalist context. The anodized aluminium hardware technology is characterized by a silent smooth run of the invisible wheels. For doors up to 80 kg this tempting gear guarantees a quiet run in a unique design. Square is available in anodised aluminium and black powdercoated. In both open and closed position, magnets hold the door in place.



square 80 kg

Technical drawing



Square black

	Door width	Length	Reference
Track with brackets - black	930 mm	1860 mm	470.234.093
	1230 mm	2460 mm	470.234.123
Gear pack			470.334
Bottom guide track (optional)		1000 mm	510.608.100
		1250 mm	510.608.125

Square grey

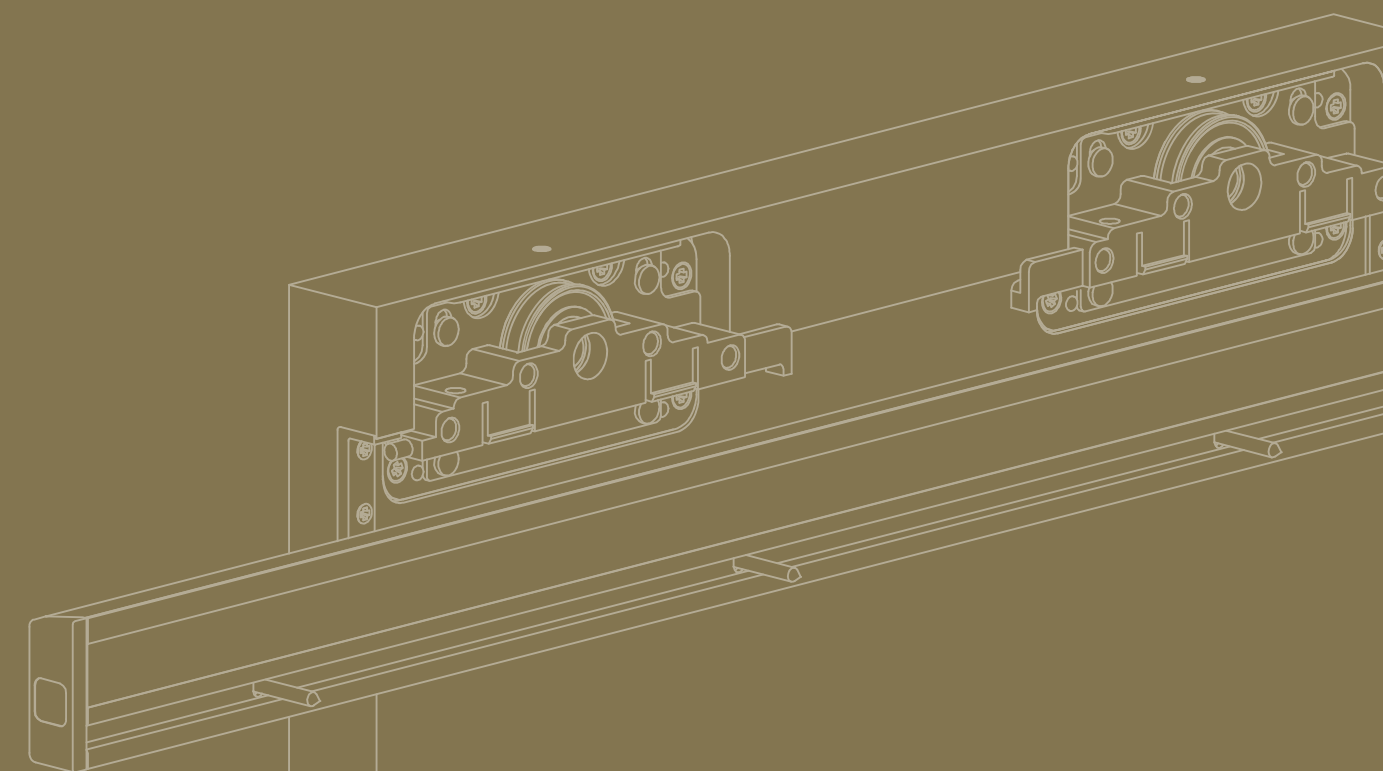
	Door width	Length	Reference
Track with brackets - grey	930 mm	1860 mm	470.238.093
	1230 mm	2460 mm	470.238.123
Gear pack			470.338
Bottom guide track (optional)		1000 mm	510.608.100
		1250 mm	510.608.125



03

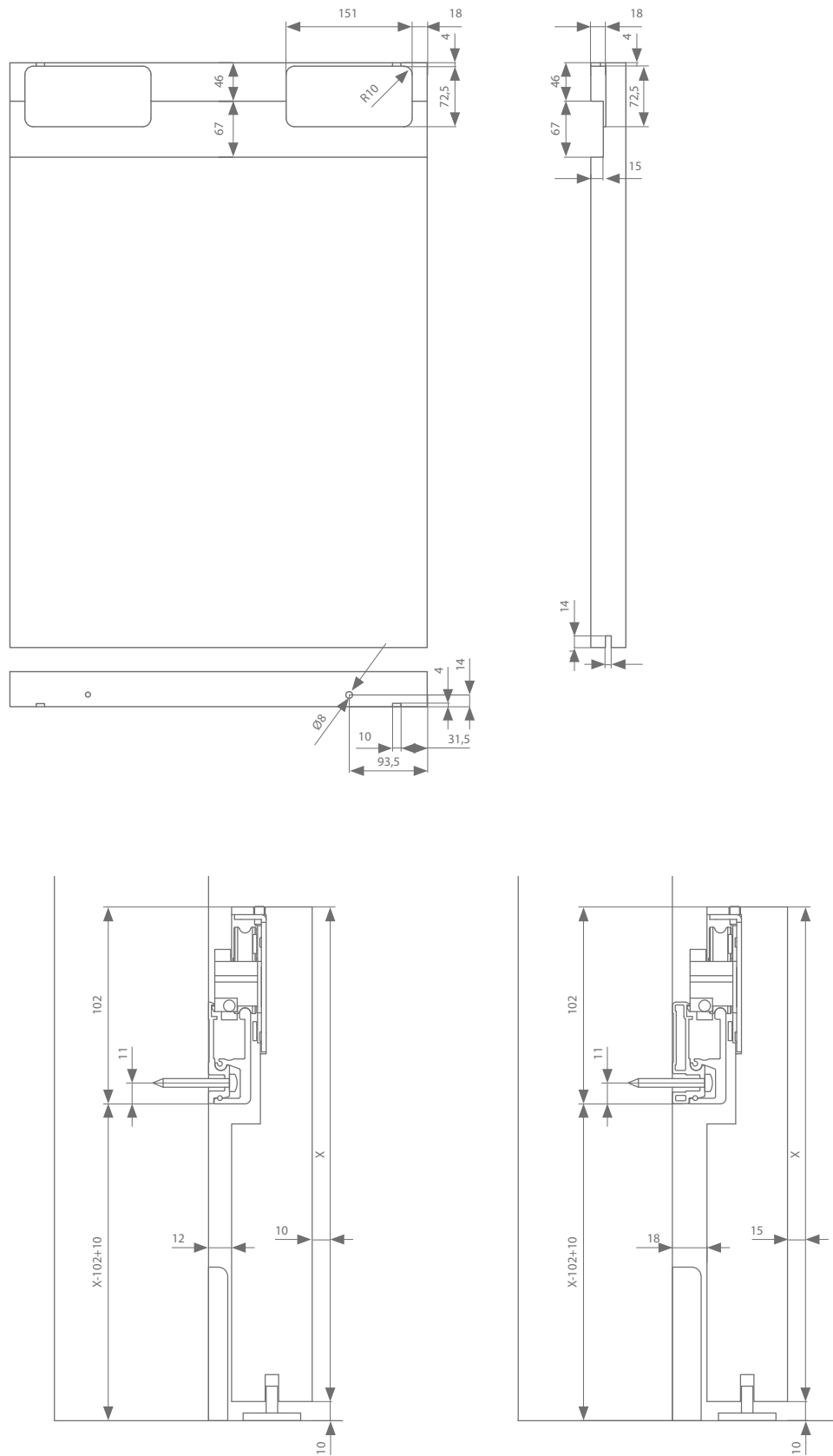
SLIDE LINEA

The slide linea is a surface-mounted sliding door system for wooden interior doors with a built-in anti-derailment mechanism and (optional) integrated soft close so that the door is stopped and held in a dosed and controlled way. The system also allows to adjust and hang the door perfectly perpendicular.



slide linea 80 kg

Technical drawing



Profile

	Door width	Length	Reference
Allows a 10 mm plinth	1000 mm	2000 mm	21210011
	1500 mm	3000 mm	21310011
Allows a 15 mm plinth	1000 mm	2000 mm	21210012
	1500 mm	3000 mm	21310012

Fittings

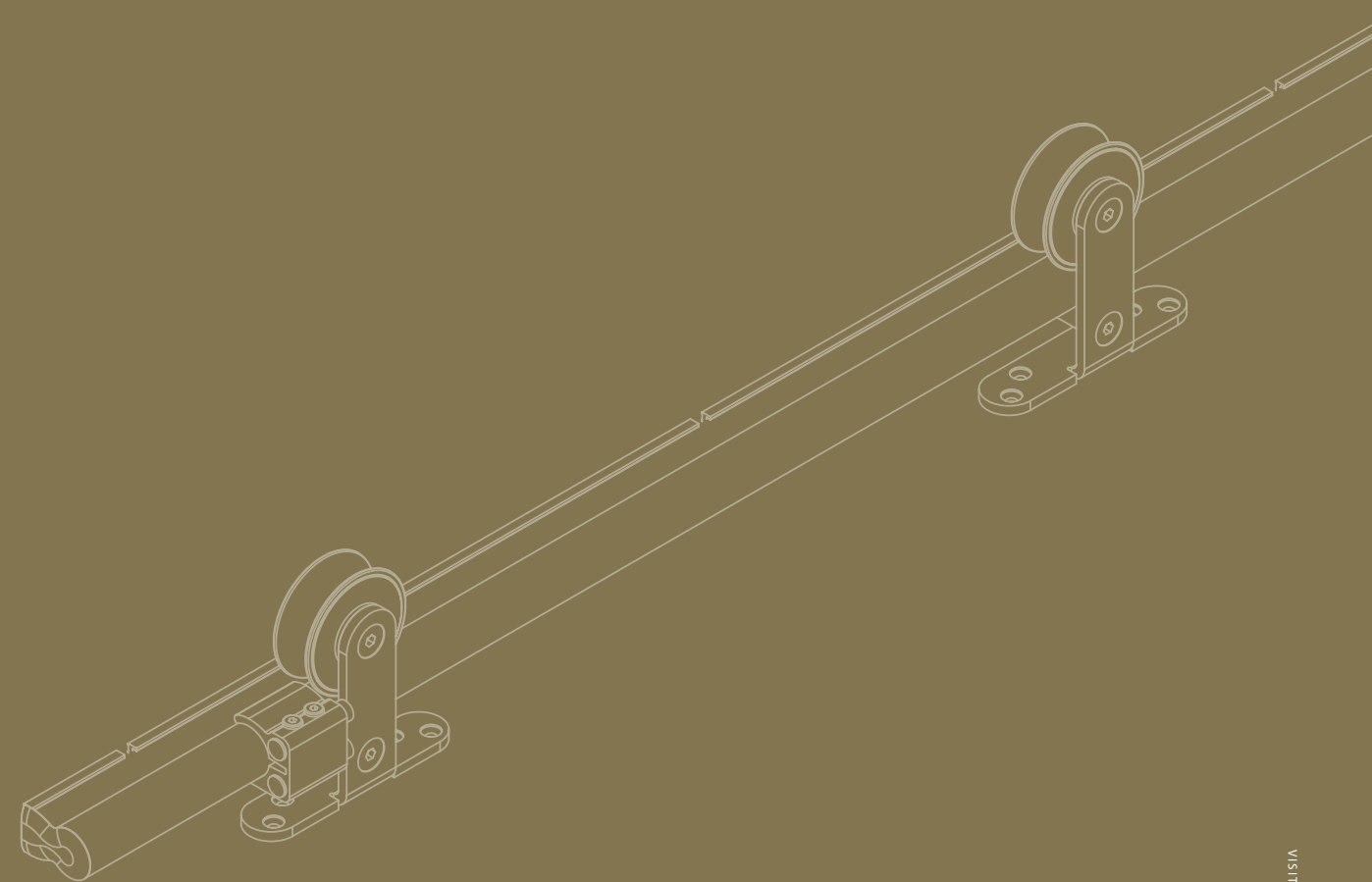
	Reference
Fitting with 2 stoppers	21210111
Fitting with 2 soft close systems	21210112



04

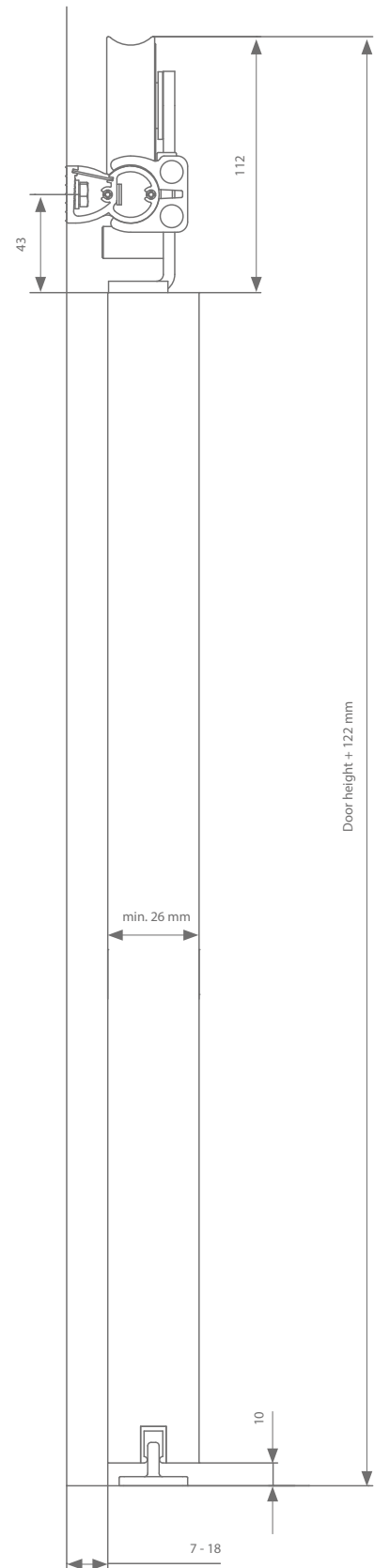
VISITOP ALU

Visitop alu really wants to show its large pulleys and elegant stoppers. This special design is available for timber or glass doors of max. 80 kg, in anodised aluminium and in black or white structural coating. The large synthetic surface of the pulleys, mounted on ball bearings, guarantee a smooth running. The renewed top track has no need for brackets to be mounted.



visitop alu 80 kg

Technical drawing



Visitop alu black

	Door width	Length	Reference
Track - black	730 mm	1460 mm	471.638.146.04
	830 mm	1660 mm	471.638.166.04
	930 mm	1860 mm	471.638.186.04
	1500 mm	3000 mm	471.638.300.04
Gear pack			470.641.04
Bottom guide track (optional)		1000 mm	510.608.100
		1500 mm	510.608.150

Visitop alu grey

	Door width	Length	Reference
Track - grey	730 mm	1460 mm	471.638.146
	830 mm	1660 mm	471.638.166
	930 mm	1860 mm	471.638.186
	1500 mm	3000 mm	471.638.300
Gear pack			470.641.1
Bottom guide track (optional)		1000 mm	510.608.100
		1500 mm	510.608.150

Visitop alu white

	Door width	Length	Reference
Track - white	730 mm	1460 mm	471.638.146.03
	830 mm	1660 mm	471.638.166.03
	930 mm	1860 mm	471.638.186.03
	1500 mm	3000 mm	471.638.300.03
Gear pack			470.641.03
Bottom guide track (optional)		1000 mm	510.608.100
		1500 mm	510.608.150

Complete sets

	Door width	Length	Reference
Visitop alu timber black	930 mm	1860 mm	470.641.186.04
Visitop alu timber anodised	930 mm	1860 mm	470.641.186
Visitop alu timber white	930 mm	1860 mm	470.641.186.03



Ter Vlucht 2 +32 (0)51 27 05 00
8850 Ardoorie info@arlu.be
Belgium WWW.ARLU.BE



©L2002012 03/24 English